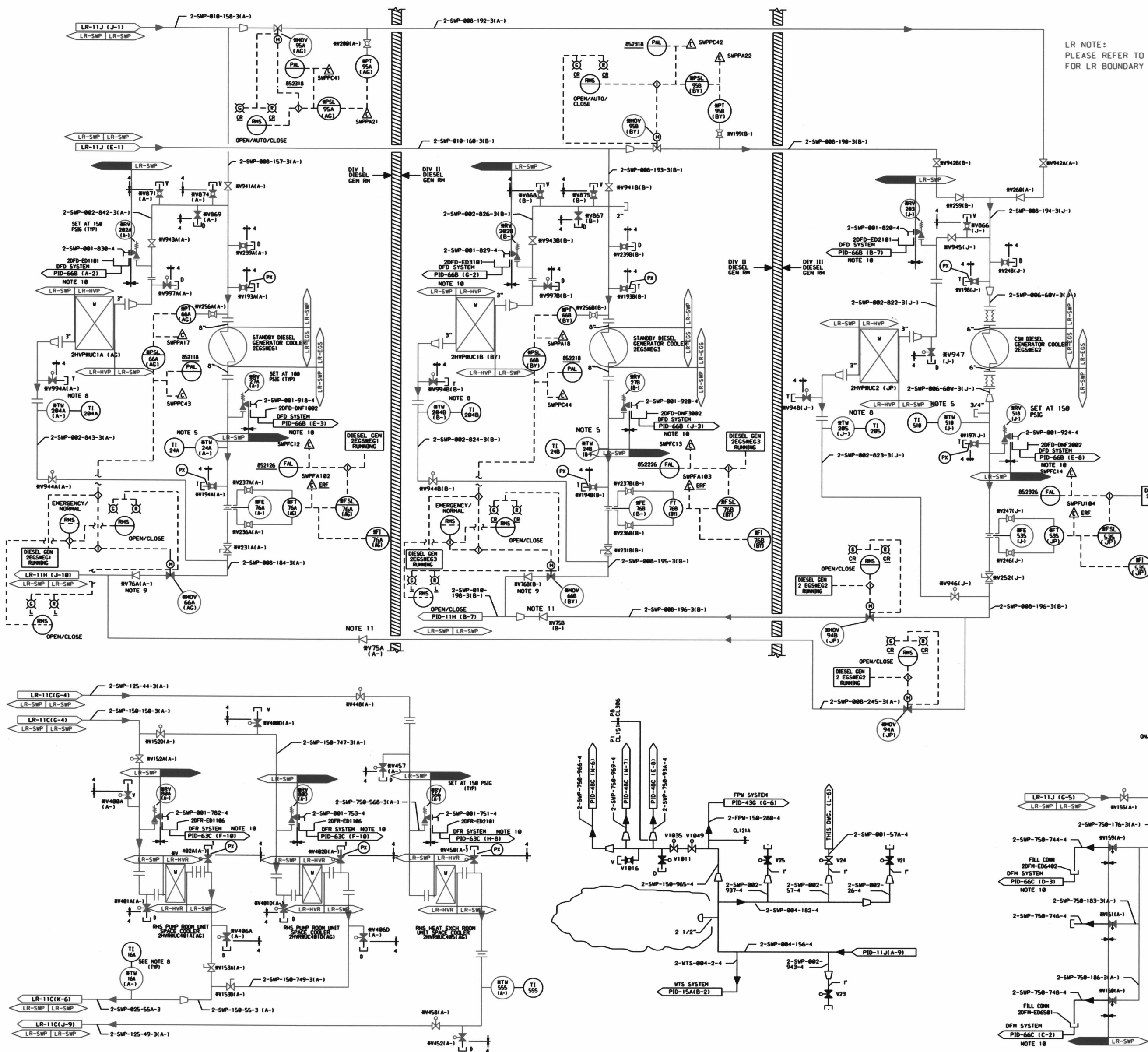


1219

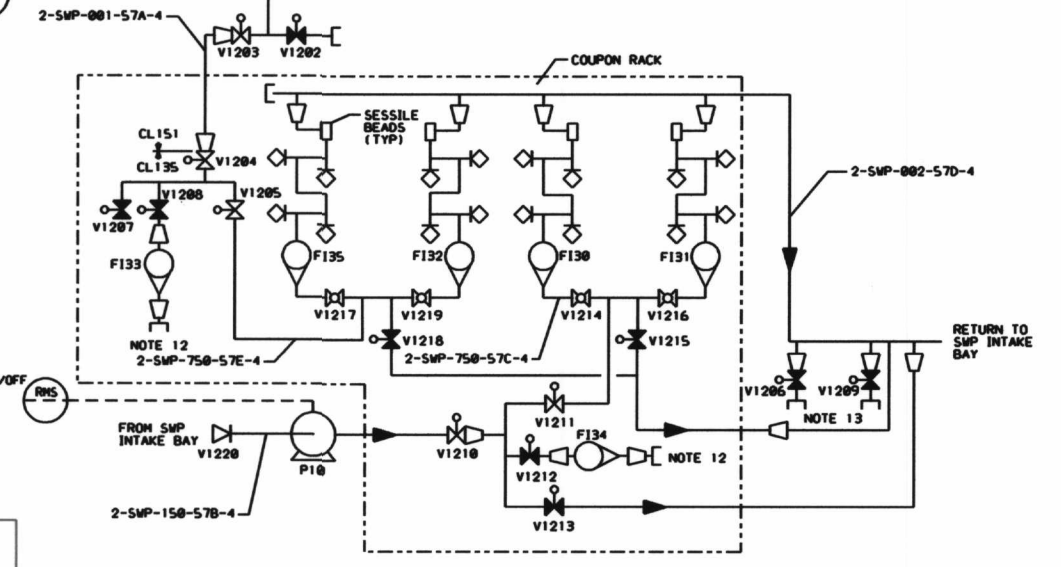
0-711-87



LR NOTE:
PLEASE REFER TO DRAWING LR-000 SHEETS 2A THROUGH 2F
FOR LR BOUNDARY DRAWING NOTES, SYMBOLS, AND ACRONYMS.

MARK NUMBER	VALVE DESCRIPTION	SIZE	NO. OF VALVES
NOV94A, 94B, 94A	NOV94A-P-300	8"	5
V21, 25, 23, 24	VE8015-CA-4	1"	4
V75A, B, 76A, B	VC8015-E-3K	8"	5
V259, 268			
V152A, D	VE8015-CA-3	1-1/2"	2
V153A, D	VE8015-CA-3	1-1/2"	2
V155, 947, 948	VE8015-CA-3	3/4"	7
V99A, B, 997A, B	VE8015-CA-3	3/4"	3
V159, 168, 161	VE8015-CA-3	3/4"	3
V193A, B, 194A, B	VE8015-CA-3	3/4"	24
V197, 198, 199, 200			
V236A, B, 237A, B			
V239A, B, 246			
V247, 248, 256A, B			
V866, 868, 871, 874, 875			
V231A, B, 252	VP8015-CA-3R	8"	3
V248	VC8015-C-3	3/4"	3
V867, 869	VC8015-C-3	3/4"	3
V488A, D, 481A, D	VE8015-CA-3	3/4"	11
V482A, D, 486A, D			
V458, 452			
V457			
V448	VE8015-CA-3	1-1/4"	1
V458	VE8015-CA-3	1-1/4"	1
V941A, B, 942A, B	VC8015-P-3K	8"	4
V943A, B, 945	VC8015-C-3	2"	3
V944A, B, 946	VE8015-CA-3	2"	3
V1871	VE8015-CA-4	1/2"	1
V1876	VC8015-D-4	1/2"	1
V1849, 1835	VE8015-CA-4	1 1/2"	2
V1282, 1283, 1284, 1285, 1286, 1287, 1288, 1289, 1215, 1218	BY VENDOR	3/4"	18
V1211, 1212, 1213	BY VENDOR	3/4"	3
V1228	BY VENDOR	1 1/2"	1
V121, 1216, 1217, 1219	BY VENDOR	3/4"	4
V1218	BY VENDOR	1 1/2"	1

- NOTES:
- ALL INSTRUMENT AND EQUIPMENT NUMBERS TO BE PREFIXED WITH "2-SMP-" EXCEPT WHERE A DIFFERENT PREFIX IS SHOWN. AN INSTRUMENT NO. WILL REPLACE THE DASH (-) IN THE PREFIX FOR EQUIPMENT OF INSTRUMENTS WHICH ARE PART OF NUCLEAR SAFETY FEATURES SYSTEM.
 - ALL PIPING SHALL BE CLASS 151 UNLESS OTHERWISE NOTED.
 - ALL VENT, DRAIN, PRESSURE, SAMPLE AND FLOW CONNECTIONS ARE 3/4" UNLESS OTHERWISE NOTED.
 - ALL TEMPERATURE CONNECTIONS ARE 1-1/4".
 - FOR DETAILS OF LARGE BORE PIPING DESIGN FOR THERMOWELL CONNECTIONS SEE PIPE STANDARD 1217M-484-1.
 - ALL VALVE ARE 3/4" X 1" UNLESS OTHERWISE NOTED.
 - FT76A & B AND FT535 ARE SEISMIC CATEGORY II INSTRUMENTATION.
 - FOR DETAILS OF SMALL BORE PIPING DESIGN FOR THERMOWELL CONNECTIONS SEE DESIGN DIVISION STANDARD SP-1851-12-2.
 - VALVE INTERNALS HAVE BEEN REMOVED FROM 25MP975A & B.
 - NO FLAG SHOWN ON CORRESPONDING DOCUMENT. COORDINATES PROVIDE INTERFACE LOCATION.
 - VALVE INTERNALS HAVE BEEN REMOVED.
 - BI0-BOX SUPPLY CONNECTION.
 - BI0-BOX RETURN CONNECTION.



SAFETY RELATED
QUALITY RELATED
NON SAFETY RELATED
(REF. SAR FIG. 9.2-11 & ISPT-11L)

Constellation Energy Group
NINE MILE POINT NUCLEAR STATION
UNIT 2 - SCRIBA, N.Y.
PIPING & INSTRUMENTATION DIAGRAM
SERVICE WATER SYSTEM

SCALE NONE DRAWING NO LR-11L-0