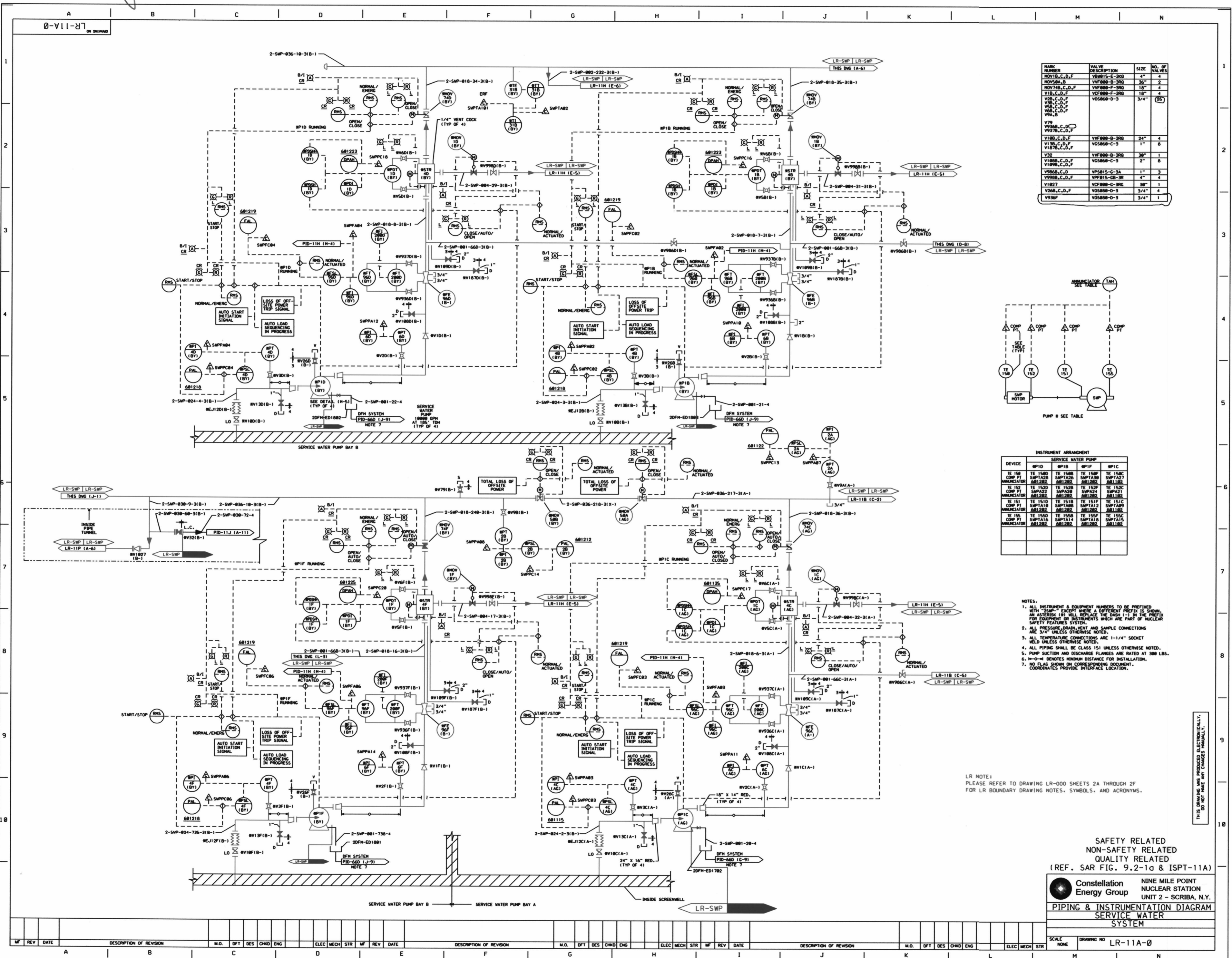
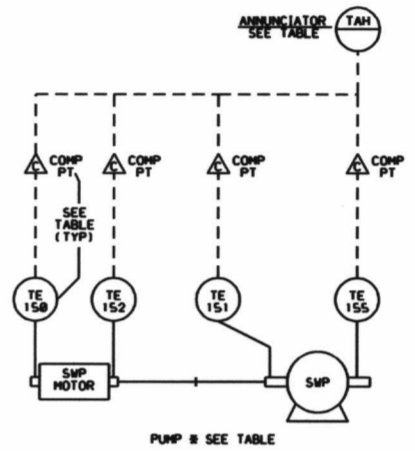


2110



INSTRUMENT NUMBER	VALVE DESCRIPTION	SIZE	NO. OF VALVES
RV18, C, D, F	RV1815-E-3R3	4"	4
RV55A, B	RV5500-B-3R3	3"	2
RV74B, C, D, F	RV7400-F-3R3	1"	4
RV18, C, D, F	RV5500-F-3R3	18"	4
RV18, C, D, F	RV5500-D-3	3/4"	2
RV18, C, D, F	RV5500-B-3R3	24"	4
RV18, C, D, F	RV5500-C-3	1"	8
V32	RV5500-B-3R3	36"	1
RV1800, C, D, F	RV5500-C-3	2"	8
RV95B, C, D	RV5515-C-3A	1"	3
RV95B, C, D, F	RV5515-CB-3R	4"	4
V1827	RV5500-B-3R3	36"	1
V26B, C, D, F	RV5500-D-3	3/4"	4
V936P	RV5500-D-3	3/4"	1



DEVICE	MP10	MP18	MP1F	MP1C
TE 150	TE 150B	TE 150B	TE 150B	TE 150C
COMP PT	SMPA23	SMPA26	SMPA30	SMPA37
ANNUNCIATOR	SM1292	SM1292	SM1292	SM1182
TE 150	TE 150B	TE 150B	TE 150B	TE 150C
COMP PT	SMPA22	SMPA23	SMPA24	SMPA27
ANNUNCIATOR	SM1292	SM1292	SM1292	SM1182
TE 151	TE 151B	TE 151B	TE 151F	TE 151C
COMP PT	SMPA19	SMPA20	SMPA12	SMPA25
ANNUNCIATOR	SM1292	SM1292	SM1292	SM1182
TE 150	TE 150B	TE 150B	TE 150B	TE 150C
COMP PT	SMPA18	SMPA19	SMPA18	SMPA15
ANNUNCIATOR	SM1292	SM1292	SM1292	SM1182

- NOTES:
- ALL INSTRUMENT & EQUIPMENT NUMBERS TO BE PREFIXED WITH "2-SMP-" EXCEPT WHERE A DIFFERENT PREFIX IS SHOWN. AN ASTERISK (*) WILL REPLACE THE DASH (-) IN THE PREFIX FOR EQUIPMENT OF INSTRUMENTS WHICH ARE PART OF NUCLEAR SAFETY FEATURES SYSTEM.
 - ALL PRESSURE, ORIGIN, VENT AND SAMPLE CONNECTIONS ARE 3/4" UNLESS OTHERWISE NOTED.
 - ALL TEMPERATURE CONNECTIONS ARE 1-1/4" SOCKET WELD UNLESS OTHERWISE NOTED.
 - ALL PIPING SHALL BE CLASS 151 UNLESS OTHERWISE NOTED.
 - PUMP SECTION AND DISCHARGE FLANGES ARE RATED AT 300 LBS.
 - M-O-M DENOTES MINIMUM DISTANCE FOR INSTALLATION.
 - NO FLAC SHOWN ON CORRESPONDING DOCUMENT. COORDINATES PROVIDE INTERFACE LOCATION.

LR NOTE:
PLEASE REFER TO DRAWING LR-000 SHEETS 2A THROUGH 2F FOR LR BOUNDARY DRAWING NOTES, SYMBOLS, AND ACRONYMS.

SAFETY RELATED
NON-SAFETY RELATED
QUALITY RELATED
(REF. SAR FIG. 9.2-10 & ISPT-11A)

Constellation Energy Group
NINE MILE POINT NUCLEAR STATION
UNIT 2 - SCRIBA, N.Y.
PIPING & INSTRUMENTATION DIAGRAM
SERVICE WATER SYSTEM

SCALE: NONE DRAWING NO: LR-11A-0

D-112