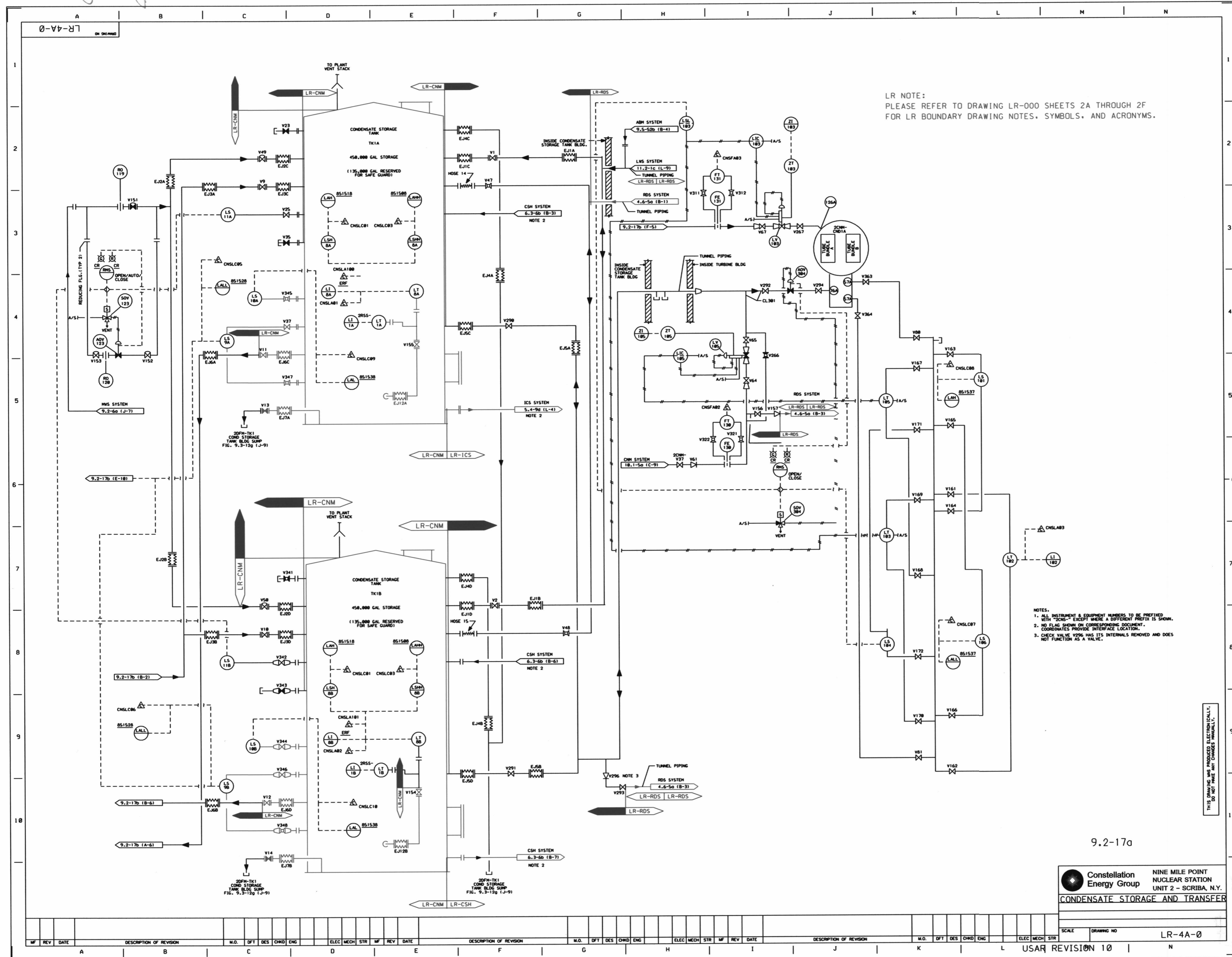


8010



LR NOTE:
PLEASE REFER TO DRAWING LR-000 SHEETS 2A THROUGH 2F
FOR LR BOUNDARY DRAWING NOTES, SYMBOLS, AND ACRONYMS.

- NOTES:
1. ALL INSTRUMENT & EQUIPMENT NUMBERS TO BE PREFIXED WITH "CKM" EXCEPT WHERE A DIFFERENT PREFIX IS SHOWN.
 2. NO FLAG SHOWN ON CORRESPONDING DOCUMENT. COORDINATES PROVIDE INTERFACE LOCATION.
 3. CHECK VALVE V296 HAS ITS INTERNALS REMOVED AND DOES NOT FUNCTION AS A VALVE.

THIS DRAWING WAS PRODUCED ELECTRONICALLY. DO NOT MAKE ANY CHANGES MANUALLY.

9.2-17a

Constellation Energy Group
NINE MILE POINT NUCLEAR STATION
UNIT 2 - SCRIBA, N.Y.
CONDENSATE STORAGE AND TRANSFER

SCALE: DRAWING NO: LR-4A-0

NO.	REV.	DATE	DESCRIPTION OF REVISION	M.O.	DFT	DES	CHRD	ENG	ELEC	MECH	STR	NO.	REV.	DATE	DESCRIPTION OF REVISION	M.O.	DFT	DES	CHRD	ENG	ELEC	MECH	STR	NO.	REV.	DATE	DESCRIPTION OF REVISION	M.O.	DFT	DES	CHRD	ENG	ELEC	MECH	STR
<p style="text-align: right;">USAR REVISION 10</p>																																			

D-100