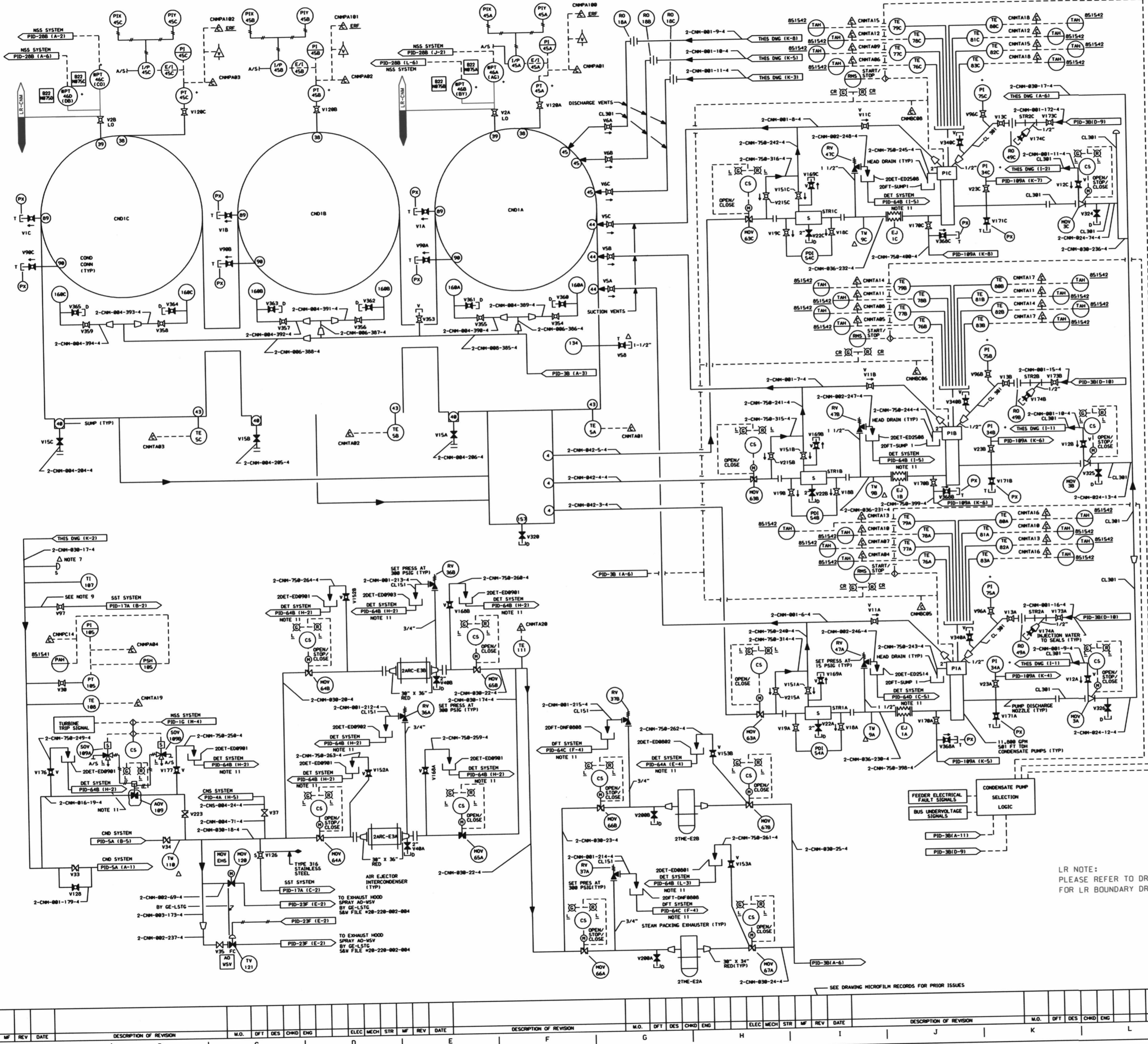


1010

0-V3-R7



MARK NUMBER	VALVE DESCRIPTION	SIZE	NO. OF VALVES
NOV3A,B,C	VVF000-N-4RD	24"	3
NOV63A,B,C	VVF000-B-4RD	42"	3
NOV64A,B	VVF000-H-4PD	30"	4
NOV65A,B	VVF000-B-4RD	30"	2
NOV67A,B	VVF000-B-4RD	30"	2
ADV189	VVF000-F-4K	16"	1
NOV120	BY GE	2"	1
V1A,B,C,V2A,B	VOS060-D-4	3/4"	60
V12A,B,C	VOS060-D-4	1"	3
V15A,B,C	VCF015-E-4R	4"	3
V22A,B,C	VOS060-C-4	2"	6
V48A,B	VOS060-D-4	1"	3
V33,34	VVF000-H-4PD	30"	2
V37	VCF015-E-4R	4"	1
V50	VOS060-D-4	1 1/2"	1
V97	VOS060-E-4	3/4"	1
V126	VOS060-E-4	1"	1
V200A,B	VOS060-C-4	3/4"	2
V223	VVF000-F-4K	16"	1
V320,324,325,326	VOS060-C-4	1 1/2"	4
V354,355,356,357,358,359	VOM030-C-4K	4"	6
V360A,B,C	VOT040-B-4	3/4"	3

- NOTES
1. ALL INSTRUMENT AND EQUIPMENT NUMBERS TO BE PREFIXED WITH "2CHN-" EXCEPT WHERE A DIFFERENT PREFIX IS SHOWN. AN ALTERNATE "PI" WILL REPLACE THE DASH (-) IN THE PREFIX FOR EQUIPMENT INSTRUMENTS WHICH ARE PART OF NUCLEAR SAFETY FEATURES SYSTEMS.
 2. ALL PIPING IS CLASS 151 EXCEPT AS NOTED.
 3. G.E. IDENTIFICATION NUMBERS ARE IN 7/16" SQUARES.
 4. PRESSURE CONNECTIONS ARE 3/4".
 5. Δ INDICATES CONNECTIONS PROVIDED FOR ASME TEST. INSTRUMENTS WILL NOT BE FURNISHED.
 6. ALL VENTS AND DRAINS ARE 3/4", UNLESS OTHERWISE NOTED.
 7. SAMPLE CONNECTIONS PER S&W SKETCH NO.12177-A-77-1.
 8. Δ INDICATES IN RADIATION ZONE 4.5. OR 6 PREFERABLY 5, OR 6.
 9. SAMPLE CONNECTION PER GE-RED DOCUMENT NO.22A2780.
 10. Δ DENOTES ENG TEST AND INFORMATION SYSTEM.
 11. NO FLAG SHOWN ON CORRESPONDING DOCUMENT. COORDINATES PROVIDE INTERFACE LOCATION.
 12. RATING OF INSTALLED VALVE 2CHN-Y40A IS 600 LBS.

LR NOTE:
PLEASE REFER TO DRAWING LR-000 SHEETS 2A THROUGH 2F FOR LR BOUNDARY DRAWING NOTES, SYMBOLS, AND ACRONYMS.

NON-SAFETY RELATED
REF. SAR FIG. 10.1-5o

Constellation Energy Group
NINE MILE POINT NUCLEAR STATION
UNIT 2 - SCRIBA, N.Y.

PIPING & INSTRUMENTATION DIAGRAM
CONDENSATE SYSTEM

SCALE	DRAWING NO	LR-3A-0
NONE		

D-107