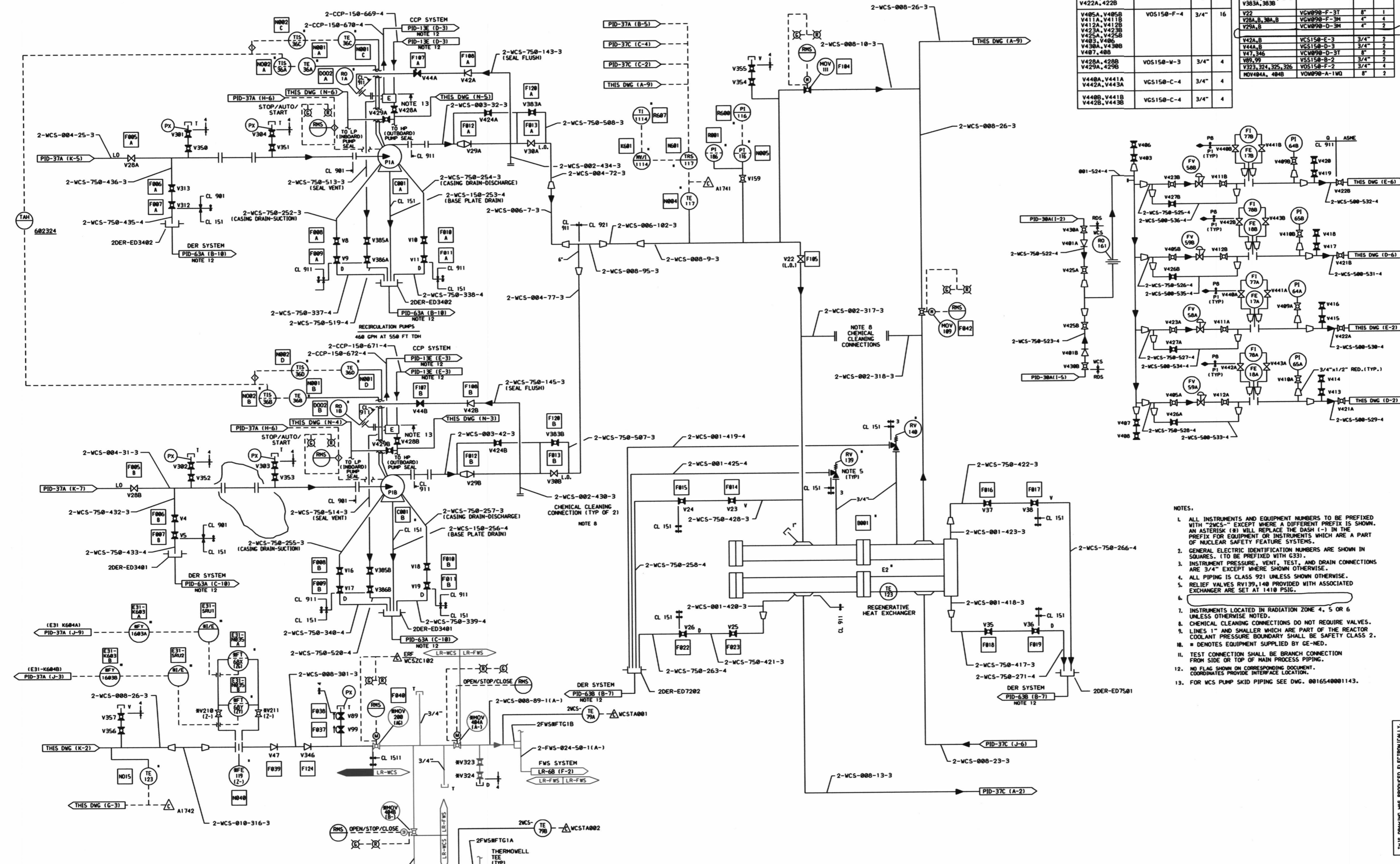


0-8L3-R7

MARK NUMBER	VALVE DESCRIPTION	SIZE	NO. OF VALVES	MARK NUMBER	VALVE DESCRIPTION	SIZE	NO. OF VALVES
V401A, 401B	VCS150-E-4	3/4"	2	V0V098-C-3T0	V0V098-C-3T0	8"	1
V413, 414	VOS150-F-4	1/2"	8	V0V200	V0V200-C-1T0	8"	1
V415, 416	VOS150-F-2	1/2"	8	V15, 16, 17, 18, 19, 20, 21, 22, 23, 24, 25, 26	VOS150-F-3	3/4"	43
V419, 420	VOS150-F-3	3/4"	4	V35, 36, 37, 38	V35, 36, 37, 38	4"	4
V409A, 409B	VOS150-F-2	1/2"	8	V39, 40, 41	V39, 40, 41	4"	4
V410A, 410B	VOS150-F-4	3/4"	16	V391, 392, 312, 313	V391, 392, 312, 313	4"	4
V426A, 426B	VOS150-F-4	3/4"	4	V394, 351, 352, 353	V394, 351, 352, 353	4"	4
V427A, 427B	VOS150-F-4	3/4"	4	V395, 354, 355, 357	V395, 354, 355, 357	4"	4
V421A, 421B	VOS150-M-3	1/2"	4	V395A, 395B, 396A	V395A, 395B, 396A	4"	4
V422A, 422B	VOS150-F-4	3/4"	4	V396B, 424A, 424B	V396B, 424A, 424B	4"	4
V405A, V405B	VCS150-F-4	3/4"	4	V397A, 397B	V397A, 397B	4"	4
V411A, V411B	VCS150-F-4	3/4"	4	V422	V0V098-F-3T	8"	1
V412A, V412B	VCS150-F-4	3/4"	4	V20A, B, 30A, B	V0V098-F-3M	4"	4
V423A, V423B	VCS150-D-3	3/4"	2	V20A, B	V0V098-D-3M	4"	4
V425A, V425B	VCS150-E-3	3/4"	2	V42A, B	VCS150-E-3	3/4"	2
V483, V486	VCS150-D-3	3/4"	2	V44A, B	VCS150-D-3	3/4"	2
V430A, V430B	VCS150-E-3	3/4"	2	V47, 345	V0V098-F-3T	8"	2
V487, 489	VCS150-B-2	3/4"	2	V85, 95	VCS150-B-2	3/4"	2
V420A, 420B	VOS150-M-3	3/4"	4	V323, 324, 325, 326	VOS150-F-2	3/4"	4
V429A, 429B	VOS150-F-2	3/4"	4	V0V098A, 484B	V0V098-A-1W0	8"	2
V448A, V441A	VCS150-C-4	3/4"	4				
V442B, V443A	VCS150-C-4	3/4"	4				
V440B, V441B	VCS150-C-4	3/4"	4				
V442B, V443B	VCS150-C-4	3/4"	4				



- NOTES:
1. ALL INSTRUMENTS AND EQUIPMENT NUMBERS TO BE PREFIXED WITH "2WCS-" EXCEPT WHERE A DIFFERENT PREFIX IS SHOWN. AN ASTERISK (*) WILL REPLACE THE DASH (-) IN THE PREFIX FOR EQUIPMENT OR INSTRUMENTS WHICH ARE A PART OF NUCLEAR SAFETY FEATURE SYSTEMS.
 2. GENERAL ELECTRIC IDENTIFICATION NUMBERS ARE SHOWN IN SQUARES. (TO BE PREFIXED WITH G33).
 3. INSTRUMENT PRESSURE, VENT, TEST, AND DRAIN CONNECTIONS ARE 3/4" EXCEPT WHERE SHOWN OTHERWISE.
 4. ALL PIPING IS CLASS 921 UNLESS SHOWN OTHERWISE.
 5. RELIEF VALVES RV139, 140 PROVIDED WITH ASSOCIATED EXCHANGER ARE SET AT 1410 PSIG.
 - 6.
 7. INSTRUMENTS LOCATED IN RADIATION ZONE 4, 5 OR 6 UNLESS OTHERWISE NOTED.
 8. CHEMICAL CLEANING CONNECTIONS DO NOT REQUIRE VALVES.
 9. LINES 1" AND SMALLER WHICH ARE PART OF THE REACTOR COOLANT PRESSURE BOUNDARY SHALL BE SAFETY CLASS 2.
 10. # DENOTES EQUIPMENT SUPPLIED BY GE-NED.
 11. TEST CONNECTION SHALL BE BRANCH CONNECTION FROM SIDE OR TOP OF MAIN PROCESS PIPING.
 12. NO FLAG SHOWN ON CORRESPONDING DOCUMENT. COORDINATES PROVIDE INTERFACE LOCATION.
 13. FOR WCS PUMP SKID PIPING SEE DWG. 0016540001143.

LR NOTE:
PLEASE REFER TO DRAWING LR-000 SHEETS 2A THROUGH 2F FOR LR BOUNDARY DRAWING NOTES, SYMBOLS, AND ACRONYMS.

SAFETY RELATED
NON-SAFETY RELATED
QUALITY RELATED
(REF. SAR FIG. 5.4-16b & ISPT-37B)

Constellation Energy Group
NINE MILE POINT NUCLEAR STATION UNIT 2 - SCRIBA, N.Y.
PIPING & INSTRUMENTATION DIAGRAM
REACTOR WATER CLEANUP SYSTEM

SCALE NONE DRAWING NO LR-37B-0

162