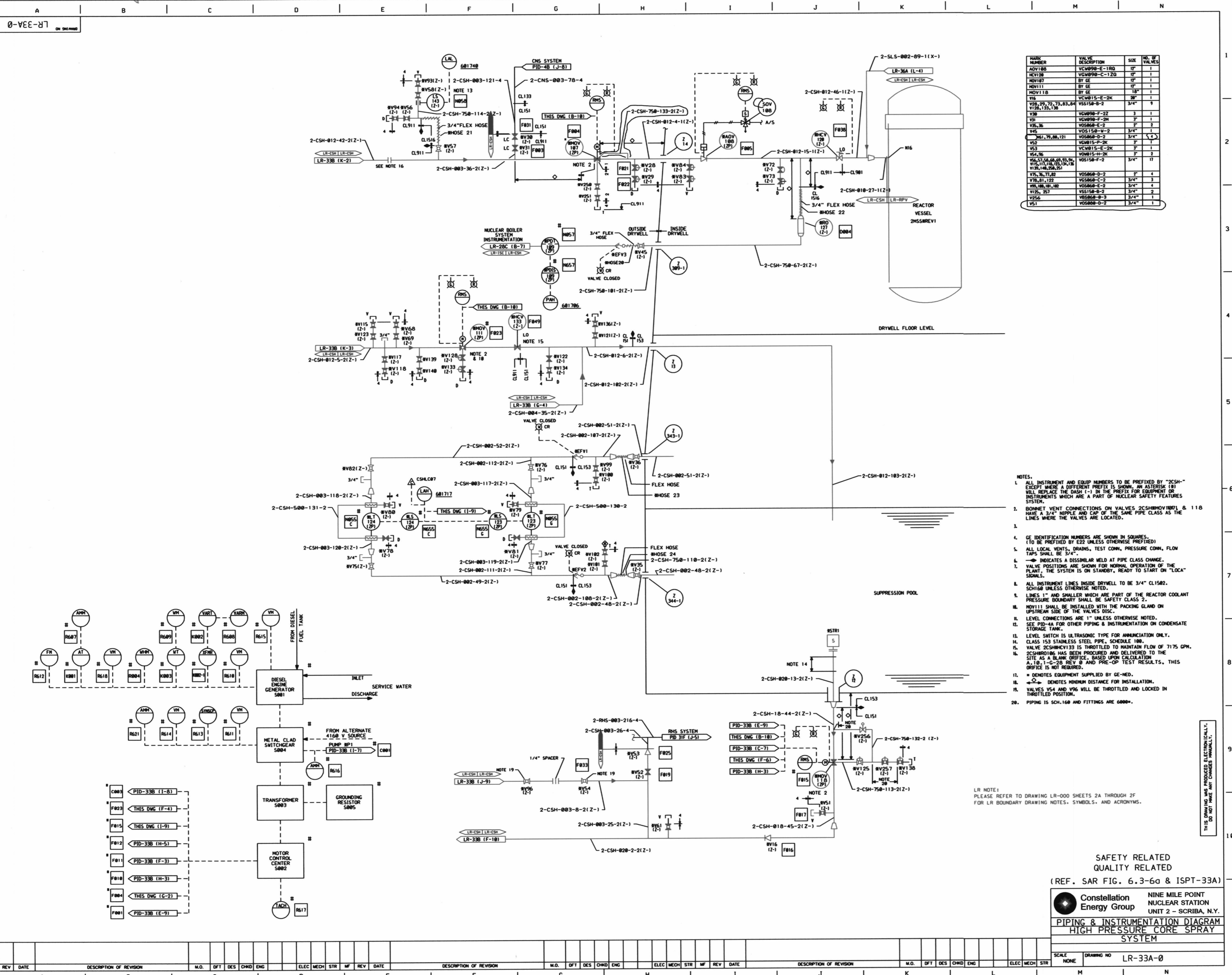


HA19

LR-33A-R7



VALVE NUMBER	DESCRIPTION	SIZE	NO. OF VALVES
ADV188	VCW990-E-1RQ	12"	1
REV188	VCW990-C-1ZQ	12"	1
MOV187	BY GE	12"	1
MOV111	BY GE	12"	1
MOV118	BY GE	18"	1
V16	VCW015-E-2K	20"	1
V18, 29, 72, 73, 83, 84, 126, 133, 136	V5158-F-2	3/4"	9
V18	VCW990-F-2Z	2"	1
V19	VCW990-F-2M	2"	1
V19, 36	VCW068-E-2	2"	2
V45	V05158-M-2	3/4"	1
V41, 75, 88, 121	V05068-F-2	3/4"	3
V52	VCW015-P-2K	2"	1
V53	VCW015-E-2K	2"	1
V54, 55	V08015-F-2K	2"	2
V54, 55, 68, 69, 73, 74, 75, 76, 77, 78, 79, 80, 81, 82, 83, 84, 85, 86, 87, 88, 89, 90, 91, 92, 93, 94, 95, 96, 97, 98, 99, 100, 101, 102, 103, 104, 105, 106, 107, 108, 109, 110, 111, 112, 113, 114, 115, 116, 117, 118, 119, 120, 121, 122, 123, 124, 125, 126, 127, 128, 129, 130, 131, 132, 133, 134, 135, 136, 137, 138, 139, 140, 141, 142, 143, 144, 145, 146, 147, 148, 149, 150, 151, 152, 153, 154, 155, 156, 157, 158, 159, 160, 161, 162, 163, 164, 165, 166, 167, 168, 169, 170, 171, 172, 173, 174, 175, 176, 177, 178, 179, 180, 181, 182, 183, 184, 185, 186, 187, 188, 189, 190, 191, 192, 193, 194, 195, 196, 197, 198, 199, 200	V05158-F-2	3/4"	17
V75, 76, 77, 82	V05068-D-2	2"	4
V76, 81, 122	V05068-C-2	3/4"	3
V76, 81, 84, 89	V05068-E-2	3/4"	4
V75, 257	V5158-B-2	3/4"	2
V75	V05068-B-3	3/4"	1
V75	V05068-D-2	3/4"	1

- NOTES:
- ALL INSTRUMENT AND EQUIP NUMBERS TO BE PREFIXED BY "2CSH" EXCEPT WHERE A DIFFERENT PREFIX IS SHOWN. AN ASTERISK (\*) WILL REPLACE THE DASH (-) IN THE PREFIX FOR EQUIPMENT OR INSTRUMENTS WHICH ARE A PART OF NUCLEAR SAFETY FEATURES SYSTEM.
  - BONNET VENT CONNECTIONS ON VALVES 2CSH01801 & 118 HAVE A 3/4" NIPPLE AND CAP OF THE SAME PIPE CLASS AS THE LINES WHERE THE VALVES ARE LOCATED.
  - 
  - GE IDENTIFICATION NUMBERS ARE SHOWN IN SQUARES. (TO BE PREFIXED BY E2Z UNLESS OTHERWISE PREFIXED)
  - ALL LOCAL VENTS, DRAINS, TEST CONN., PRESSURE CONN., FLOW TAPS SHALL BE 3/4".
  - indicates a DISSIMILAR WELD AT PIPE CLASS CHANGE.
  - VALVE POSITIONS ARE SHOWN FOR NORMAL OPERATION OF THE PLANT. THE SYSTEM IS ON STANDBY, READY TO START ON "LOCA" SIGNALS.
  - ALL INSTRUMENT LINES INSIDE DRYWELL TO BE 3/4" CL1502, SCH160 UNLESS OTHERWISE NOTED.
  - LINES 1" AND SMALLER WHICH ARE PART OF THE REACTOR COOLANT PRESSURE BOUNDARY SHALL BE SAFETY CLASS 2.
  - MOV111 SHALL BE INSTALLED WITH THE PACKING GLAND ON UPSTREAM SIDE OF THE VALVES DISC.
  - LEVEL CONNECTIONS ARE 1" UNLESS OTHERWISE NOTED.
  - SEE PID-4A FOR OTHER PIPING & INSTRUMENTATION ON CONDENSATE STORAGE TANK.
  - LEVEL SWITCH IS ULTRASONIC TYPE FOR ANNUNCIATION ONLY.
  - CLASS 153 STAINLESS STEEL PIPE, SCHEDULE 180.
  - VALVE 2CSH01801 IS THROTTLED TO MAINTAIN FLOW OF 7175 GPM. 2CSH01801 HAS BEEN PROCURED AND DELIVERED TO THE SITE AS A BLANK ORIFICE, BASED UPON CALCULATION A.10.1-G-28 REV 0 AND PRE-OP TEST RESULTS. THIS ORIFICE IS NOT REQUIRED.
  - denotes EQUIPMENT SUPPLIED BY GE-MED.
  - denotes MINIMUM DISTANCE FOR INSTALLATION.
  - VALVES V54 AND V56 WILL BE THROTTLED AND LOCKED IN THROTTLED POSITION.
  - PIPING IS SCH.160 AND FITTINGS ARE 6000#.

LR NOTE:  
PLEASE REFER TO DRAWING LR-000 SHEETS 2A THROUGH 2F FOR LR BOUNDARY DRAWING NOTES, SYMBOLS, AND ACRONYMS.

SAFETY RELATED  
QUALITY RELATED  
(REF. SAR FIG. 6.3-6a & ISPT-33A)

Constellation Energy Group  
NINE MILE POINT NUCLEAR STATION  
UNIT 2 - SCRIBA, N.Y.  
PIPING & INSTRUMENTATION DIAGRAM  
HIGH PRESSURE CORE SPRAY SYSTEM

SCALE: NONE DRAWING NO: LR-33A-0

DIS4