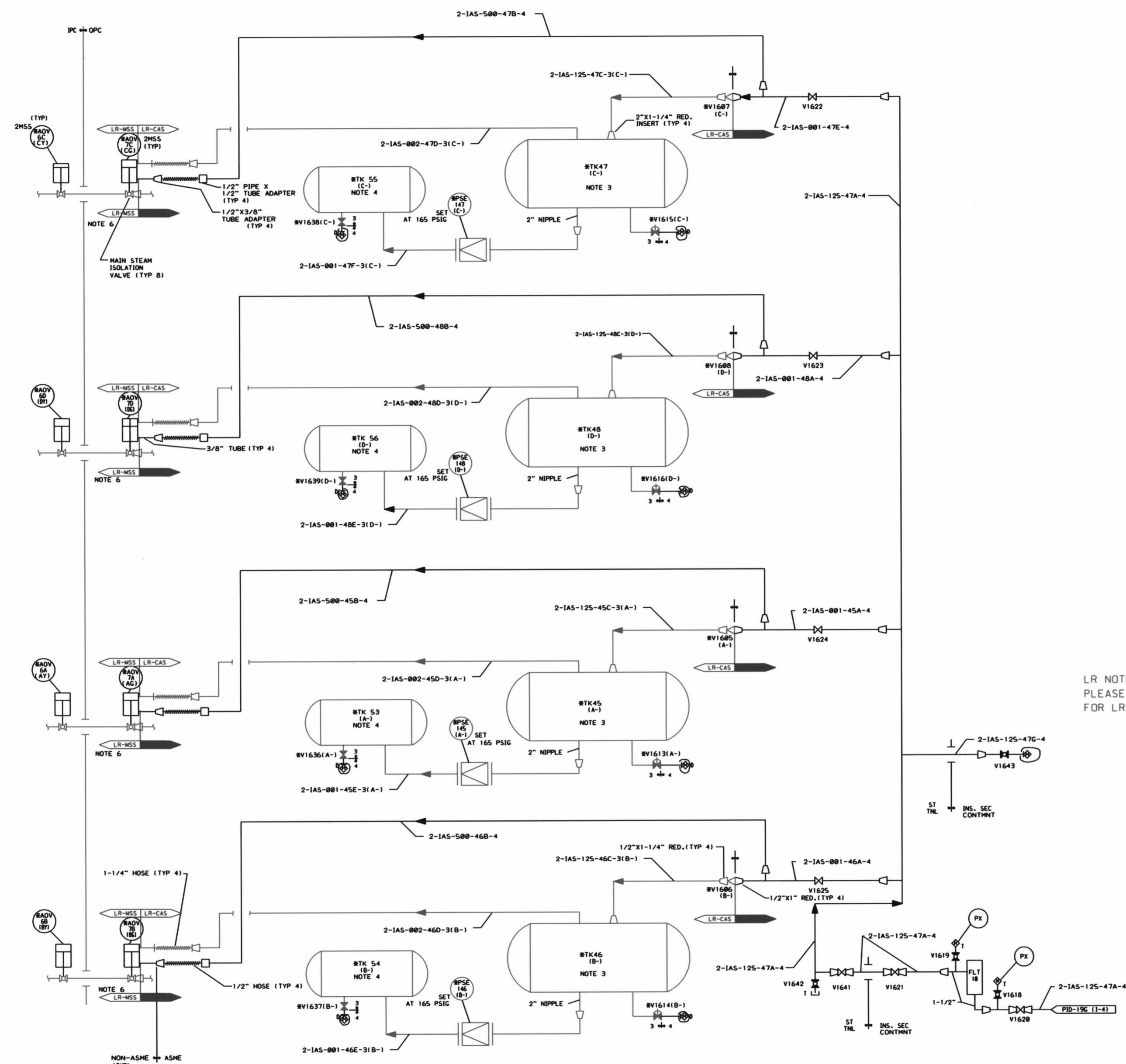


0136

0-W61-27

MARK NUMBER	VALVE DESCRIPTION	SIZE	NO. OF VALVES
V1685, 1686, 1687, 1688	VCS015-G-3	1-1/2"	4
V1613, 1614, 1615, 1616	V55060-C-3	3/4"	4
V1618, 1619, 1642, 1643	V05060-E-4	3/4"	4
V1608, 1621, 1622, 1623, 1624, 1625, 1641	VCS060-D-4	1"	7
V1636, 1637, 1638, 1639	VCS060-D-3	3/4"	4



- NOTES:
1. ALL INSTRUMENT AND EQUIPMENT NUMBERS TO BE PREFIXED WITH "2IAS" EXCEPT WHERE A DIFFERENT PREFIX IS SHOWN. AN ASTERISK (*) WILL REPLACE THE DASH (-) IN THE PREFIX FOR EQUIPMENT OR INSTRUMENTS WHICH ARE PART OF NUCLEAR FEATURES SYSTEM.
 2. ALL PIPING IS CLASS 153 UNLESS OTHERWISE NOTED.
 3. MSIV ACCUMULATORS #TK 45 THRU 48 ARE 1'-0" DIA. X 2'-7" LONG 35 GAL. CAPACITY.
 4. 2IAS#TK53 THRU 56 ARE 1'-0" DIA. X 1'-3" LG. 0.87 CU. FT. CAPACITY.
 5. ALL VENTS, DRAINS AND TEST CONNECTIONS ARE 3/4" UNLESS OTHERWISE NOTED.
 6. SEE DETAIL "A" ON PID-19L.

LR NOTE:
PLEASE REFER TO DRAWING LR-000 SHEETS 2A THROUGH 2F FOR LR BOUNDARY DRAWING NOTES, SYMBOLS, AND ACRONYMS.

SAFETY RELATED
QUALITY RELATED
NON-SAFETY RELATED

(REF. SAR FIG. 9.3-1m & ISPT-19M)

Constellation Energy Group
NINE MILE POINT NUCLEAR STATION
UNIT 2 - SCRIBA, N.Y.
PIPING & INSTRUMENTATION DIAGRAM
INSTRUMENT & SERVICE AIR

SCALE: NONE DRAWING NO: LR-19M-0

NO.	REV.	DATE	DESCRIPTION OF REVISION	M.O.	DFT	DES	CHD	ENG	ELEC	MECH	STR	NO.	REV.	DATE	DESCRIPTION OF REVISION	M.O.	DFT	DES	CHD	ENG	ELEC	MECH	STR