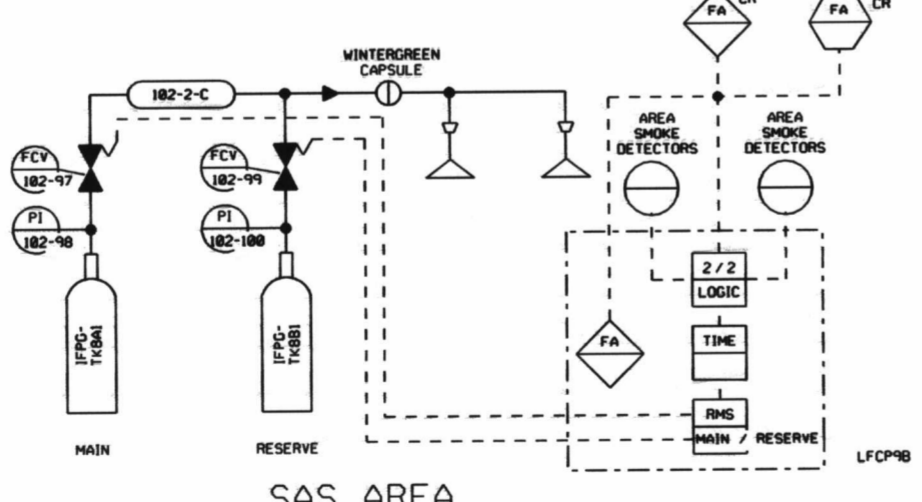
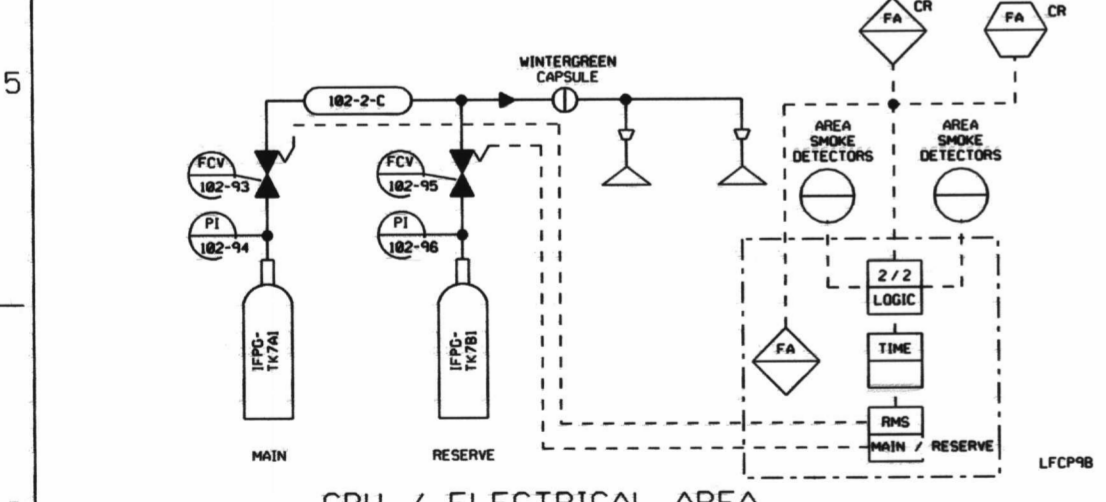
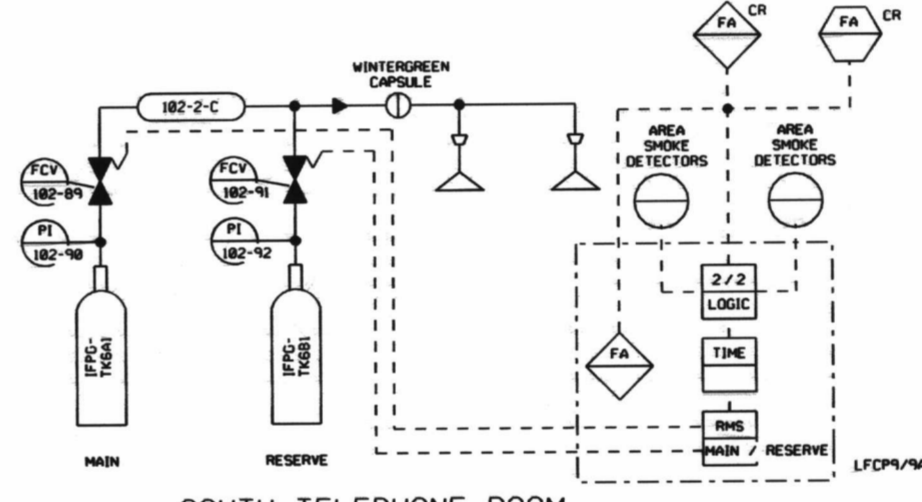
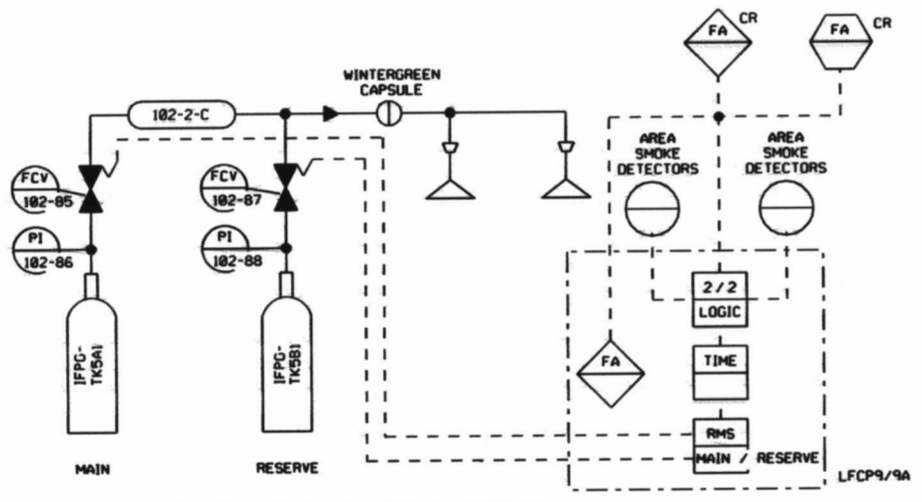
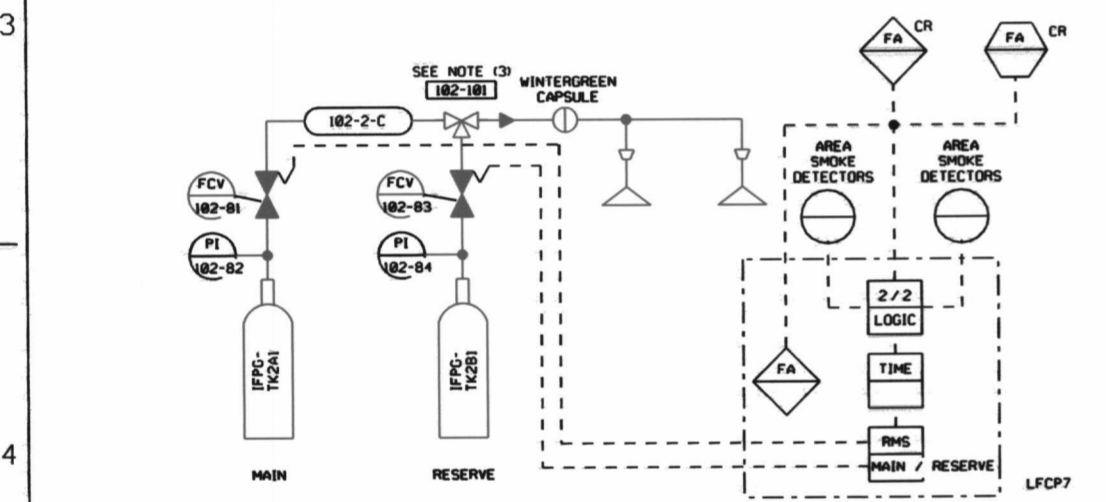


AUX. CONTROL ROOM
H-3031



LR NOTE:
PLEASE REFER TO DRAWING LR-18000-C SHEETS 1 AND 2 FOR
LR BOUNDARY DRAWING NOTES, SYMBOLS, AND ACRONYMS.

- NOTES**
- LFCP # = LOCAL FIRE CONTROL PANEL NUMBER
 - RSB RELATED HALON SYSTEMS ARE SHOWN ON DRAWING C-33216-C (S13.1)
- | ZONE | PROTECTED AREA | LFCP |
|--------|-----------------------------|------|
| H-6178 | RSB CONTROL ROOM | 8 |
| H-6188 | RSB ELECTRICAL CONTROL ROOM | 8 |
- BALL TYPE CHECK VALVE (EPN NO. 182-181)

REFERENCE DRAWINGS

INDEX	DRAWING NO.	TITLE
3-N2-S15	C-23241-C SH. 3 & 4	FIRE PROTECTION SYSTEM, LOCATION PLAN OF EQUIPMENT.
3-N2-S13.1	C-33216-C	RADWASTE SOLIDIFICATION AND STORAGE BUILDING FIRE PROTECTION SYSTEM P & I DIAGRAM.
3-N2-S13.1	C-34917-C SH. 4 & 5	FIRE PROTECTION AUXILIARY CONTROL ROOM & TELEPHONE EQUIPMENT ROOM C.T.L. ARRANGEMENT, HALON 1301 SYSTEM.
3-N2-S13.1	C-35679-C	FIRE PROTECTION HALON SYSTEM FOR EMERGENCY CONDENSER ISOLATION VALVE ROOM.
3-N2-S13.1	C-34879-C	TELEPHONE EQUIPMENT ROOM HALON 1301 SYS. SUPPORTS PLAN, SECTIONS & DETAILS.
3-N2-S18	C-34948-C	TELEPHONE SWITCH ROOM BLDG. HVAC PLAN & DETAILS.

NOTE: THIS DRAWING WAS CREATED USING
COMPUTER AIDED DRAFTING
DO NOT MAKE MANUAL CHANGES

CONSTELLATION ENERGY GROUP		S13 NINE MILE POINT NUCLEAR STATION UNIT NO. 1	
APP	APP	FIRE PROTECTION HALON P & I DIAGRAM	
DATE	DATE		
DES	DES		
SCALE	SCALE	NONE	
DWG NO.	DWG NO.	LR-45094-C	INDEX 3-N2.1-S13.1
REV	DATE	BY	REMARKS

D085