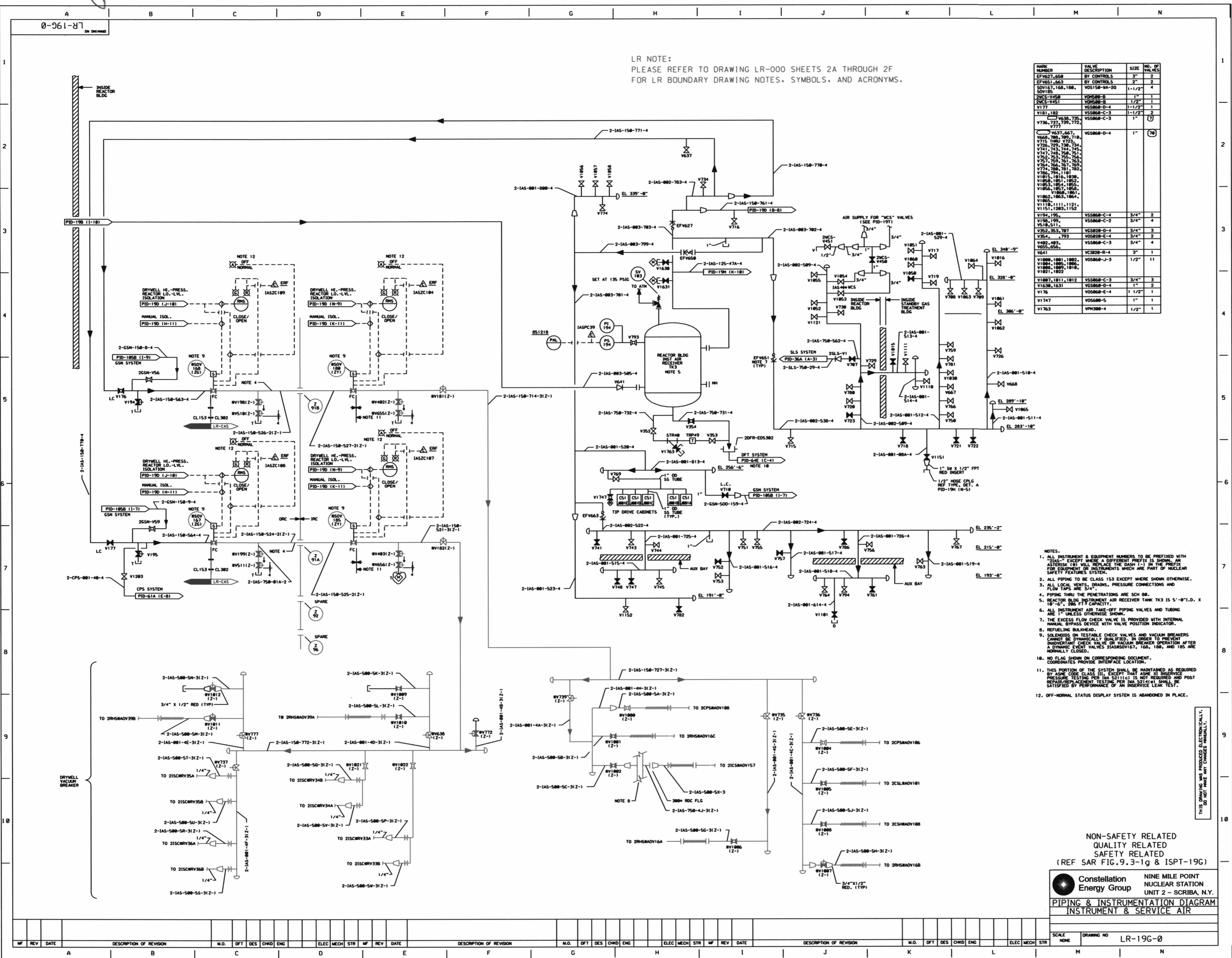


D134

LR NOTE:
PLEASE REFER TO DRAWING LR-000 SHEETS 2A THROUGH 2F
FOR LR BOUNDARY DRAWING NOTES, SYMBOLS, AND ACRONYMS.

NAME NUMBER	VALVE DESCRIPTION	SIZE	NO. OF VALVES
EFV627,658	BY CONTROLS	3"	2
EFV651,663	BY CONTROLS	3"	2
SOV167,168,169,170,171,172,173,174,175,176,177,178,179,180,181,182,183,184,185,186,187,188,189,190,191,192,193,194,195,196,197,198,199,200,201,202,203,204,205,206,207,208,209,210,211,212,213,214,215,216,217,218,219,220,221,222,223,224,225,226,227,228,229,230,231,232,233,234,235,236,237,238,239,240,241,242,243,244,245,246,247,248,249,250,251,252,253,254,255,256,257,258,259,260,261,262,263,264,265,266,267,268,269,270,271,272,273,274,275,276,277,278,279,280,281,282,283,284,285,286,287,288,289,290,291,292,293,294,295,296,297,298,299,300,301,302,303,304,305,306,307,308,309,310,311,312,313,314,315,316,317,318,319,320,321,322,323,324,325,326,327,328,329,330,331,332,333,334,335,336,337,338,339,340,341,342,343,344,345,346,347,348,349,350,351,352,353,354,355,356,357,358,359,360,361,362,363,364,365,366,367,368,369,370,371,372,373,374,375,376,377,378,379,380,381,382,383,384,385,386,387,388,389,390,391,392,393,394,395,396,397,398,399,400,401,402,403,404,405,406,407,408,409,410,411,412,413,414,415,416,417,418,419,420,421,422,423,424,425,426,427,428,429,430,431,432,433,434,435,436,437,438,439,440,441,442,443,444,445,446,447,448,449,450,451,452,453,454,455,456,457,458,459,460,461,462,463,464,465,466,467,468,469,470,471,472,473,474,475,476,477,478,479,480,481,482,483,484,485,486,487,488,489,490,491,492,493,494,495,496,497,498,499,500,501,502,503,504,505,506,507,508,509,510,511,512,513,514,515,516,517,518,519,520,521,522,523,524,525,526,527,528,529,530,531,532,533,534,535,536,537,538,539,540,541,542,543,544,545,546,547,548,549,550,551,552,553,554,555,556,557,558,559,560,561,562,563,564,565,566,567,568,569,570,571,572,573,574,575,576,577,578,579,580,581,582,583,584,585,586,587,588,589,590,591,592,593,594,595,596,597,598,599,600,601,602,603,604,605,606,607,608,609,610,611,612,613,614,615,616,617,618,619,620,621,622,623,624,625,626,627,628,629,630,631,632,633,634,635,636,637,638,639,640,641,642,643,644,645,646,647,648,649,650,651,652,653,654,655,656,657,658,659,660,661,662,663,664,665,666,667,668,669,670,671,672,673,674,675,676,677,678,679,680,681,682,683,684,685,686,687,688,689,690,691,692,693,694,695,696,697,698,699,700,701,702,703,704,705,706,707,708,709,710,711,712,713,714,715,716,717,718,719,720,721,722,723,724,725,726,727,728,729,730,731,732,733,734,735,736,737,738,739,740,741,742,743,744,745,746,747,748,749,750,751,752,753,754,755,756,757,758,759,760,761,762,763,764,765,766,767,768,769,770,771,772,773,774,775,776,777,778,779,780,781,782,783,784,785,786,787,788,789,790,791,792,793,794,795,796,797,798,799,800,801,802,803,804,805,806,807,808,809,810,811,812,813,814,815,816,817,818,819,820,821,822,823,824,825,826,827,828,829,830,831,832,833,834,835,836,837,838,839,840,841,842,843,844,845,846,847,848,849,850,851,852,853,854,855,856,857,858,859,860,861,862,863,864,865,866,867,868,869,870,871,872,873,874,875,876,877,878,879,880,881,882,883,884,885,886,887,888,889,890,891,892,893,894,895,896,897,898,899,900,901,902,903,904,905,906,907,908,909,910,911,912,913,914,915,916,917,918,919,920,921,922,923,924,925,926,927,928,929,930,931,932,933,934,935,936,937,938,939,940,941,942,943,944,945,946,947,948,949,950,951,952,953,954,955,956,957,958,959,960,961,962,963,964,965,966,967,968,969,970,971,972,973,974,975,976,977,978,979,980,981,982,983,984,985,986,987,988,989,990,991,992,993,994,995,996,997,998,999,1000			



- NOTES:
1. ALL INSTRUMENT & EQUIPMENT NUMBERS TO BE PREFIXED WITH '2IAS-' EXCEPT WHERE A DIFFERENT PREFIX IS SHOWN. AN asterisk (*) WILL REPLACE THE '2IAS-' IN THE PREFIX FOR EQUIPMENT OR INSTRUMENTS WHICH ARE PART OF NUCLEAR SAFETY FEATURES SYSTEM.
 2. ALL PIPING TO BE CLASS 15S EXCEPT WHERE SHOWN OTHERWISE.
 3. ALL LOCAL VENTS, DRAINS, PRESSURE CONNECTIONS AND FLOW TAPS ARE 3/4".
 4. PIPING THRU THE PENETRATIONS ARE SCH 80.
 5. REACTOR BLDG INSTRUMENT AIR RECEIVER TANK TKS IS 5'-8" I.D. X 10'-0" HIG. 285 G.P. CAPACITY.
 6. ALL INSTRUMENT AIR TAKE-OFF PIPING VALVES AND TUBING ARE UNLESS OTHERWISE SHOWN.
 7. THE EXCESS FLOW CHECK VALVE IS PROVIDED WITH INTERNAL MANUAL BYPASS DEVICE WITH VALVE POSITION INDICATOR.
 8. REPELLING BALANCE.
 9. SOLWEDS ON TESTABLE CHECK VALVES AND VACUUM BREAKERS CANNOT BE DYNAMICALLY QUALIFIED. IN ORDER TO PREVENT UNWARRANTED CHECK VALVE OR VACUUM BREAKER OPERATION AFTER A DYNAMIC EVENT VALVES 2IAS850V167, 168, 169, AND 185 ARE NORMALLY CLOSED.
 10. NO P&ID SHOWN ON CORRESPONDING DOCUMENT. COORDINATES PROVIDE INTERFACE LOCATION.
 11. THIS PORTION OF THE SYSTEM SHALL BE MAINTAINED AS REQUIRED BY ASME CODE CLASS III, EXCEPT THAT ASME 2I INSERVICE PRESSURE TESTING PER MA 5211(c) IS NOT REQUIRED AND POST REPAIR/REPLACEMENT TESTING PER MA 5214(b) SHALL BE SATISFIED BY PERFORMANCE OF AN INSERVICE LEAK TEST.
 12. OFF-NORMAL STATUS DISPLAY SYSTEM IS ABANDONED IN PLACE.

NON-SAFETY RELATED
QUALITY RELATED
SAFETY RELATED
(REF SAR FIG.9.3-1g & ISPT-19G)

Constellation Energy Group
NINE MILE POINT NUCLEAR STATION
UNIT 2 - SCRIBA, N.Y.
PIPING & INSTRUMENTATION DIAGRAM
INSTRUMENT & SERVICE AIR

SCALE: NONE DRAWING NO: LR-19G-0

REV	DATE	DESCRIPTION OF REVISION	M.O.	DFT	DES	CHKD	END	ELEC	MECH	STR	REV	DATE	DESCRIPTION OF REVISION	M.O.	DFT	DES	CHKD	END	ELEC	MECH	STR	