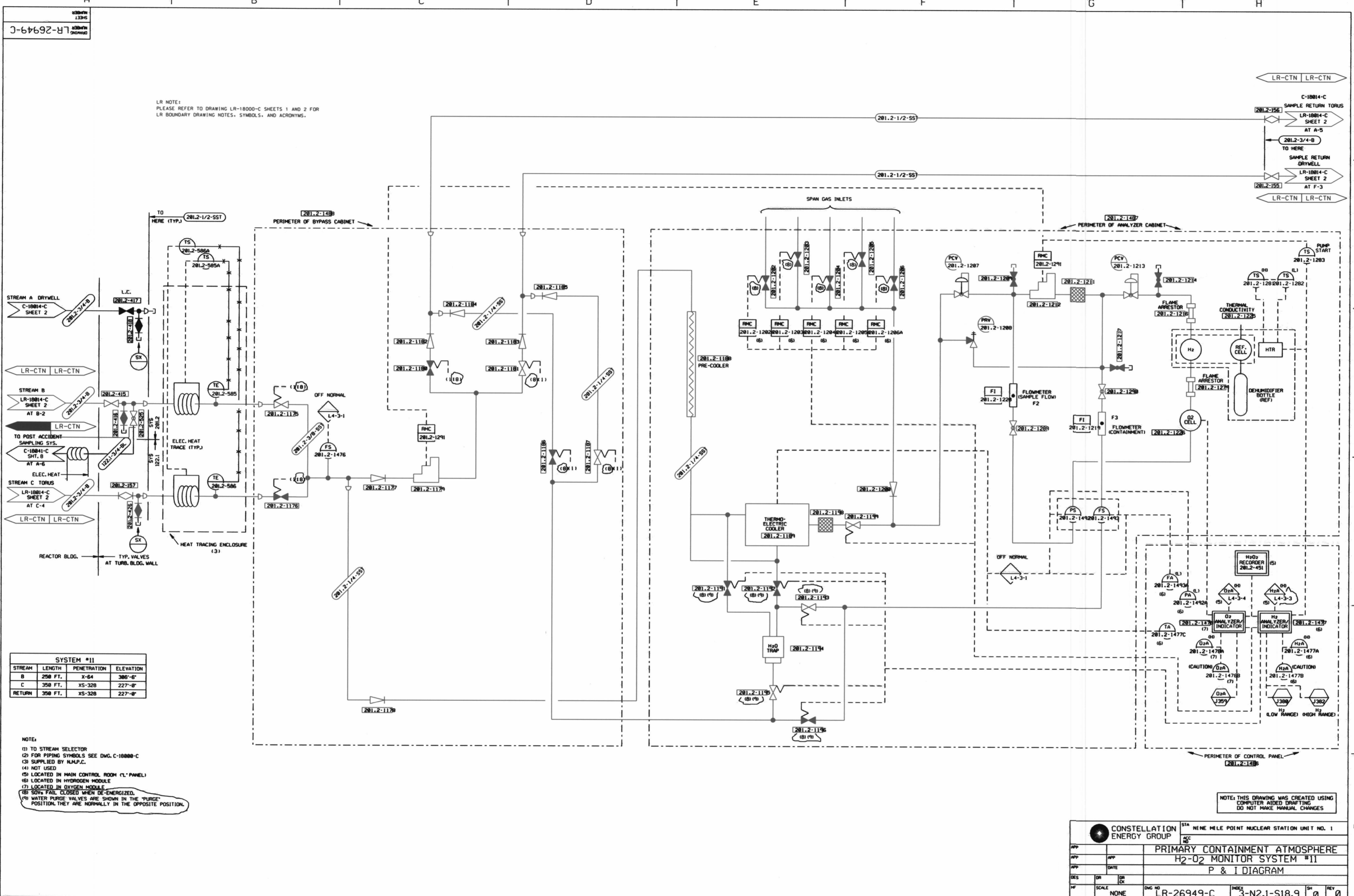


LR-26949-C

LR NOTE:  
PLEASE REFER TO DRAWING LR-18000-C SHEETS 1 AND 2 FOR  
LR BOUNDARY DRAWING NOTES, SYMBOLS, AND ACRONYMS.



SYSTEM #11			
STREAM	LENGTH	PENETRATION	ELEVATION
B	250 FT.	X-64	386'-0"
C	350 FT.	XS-328	227'-0"
RETURN	350 FT.	XS-328	227'-0"

- NOTE:
- (1) TO STREAM SELECTOR
  - (2) FOR PIPING SYMBOLS SEE DWG. C-18000-C
  - (3) SUPPLIED BY MANUFACTURER
  - (4) NOT USED
  - (5) LOCATED IN MAIN CONTROL ROOM ('L' PANEL)
  - (6) LOCATED IN HYDROGEN MODULE
  - (7) LOCATED IN OXYGEN MODULE
  - (8) SOV'S FAIL CLOSED WHEN DE-ENERGIZED.
  - (9) WATER PURGE VALVES ARE SHOWN IN THE 'PURGE' POSITION. THEY ARE NORMALLY IN THE OPPOSITE POSITION.

NOTE: THIS DRAWING WAS CREATED USING  
COMPUTER AIDED DRAFTING  
DO NOT MAKE MANUAL CHANGES

CONSTELLATION ENERGY GROUP		STA NINE MILE POINT NUCLEAR STATION UNIT NO. 1	
APP	APP	PRIMARY CONTAINMENT ATMOSPHERE H2-O2 MONITOR SYSTEM #11	
DATE	DATE	P & I DIAGRAM	
DES	DR	DWG NO	REV
SCALE	SCALE	LR-26949-C	3-N2.1-S18.9
REV	REV	0	0

D084