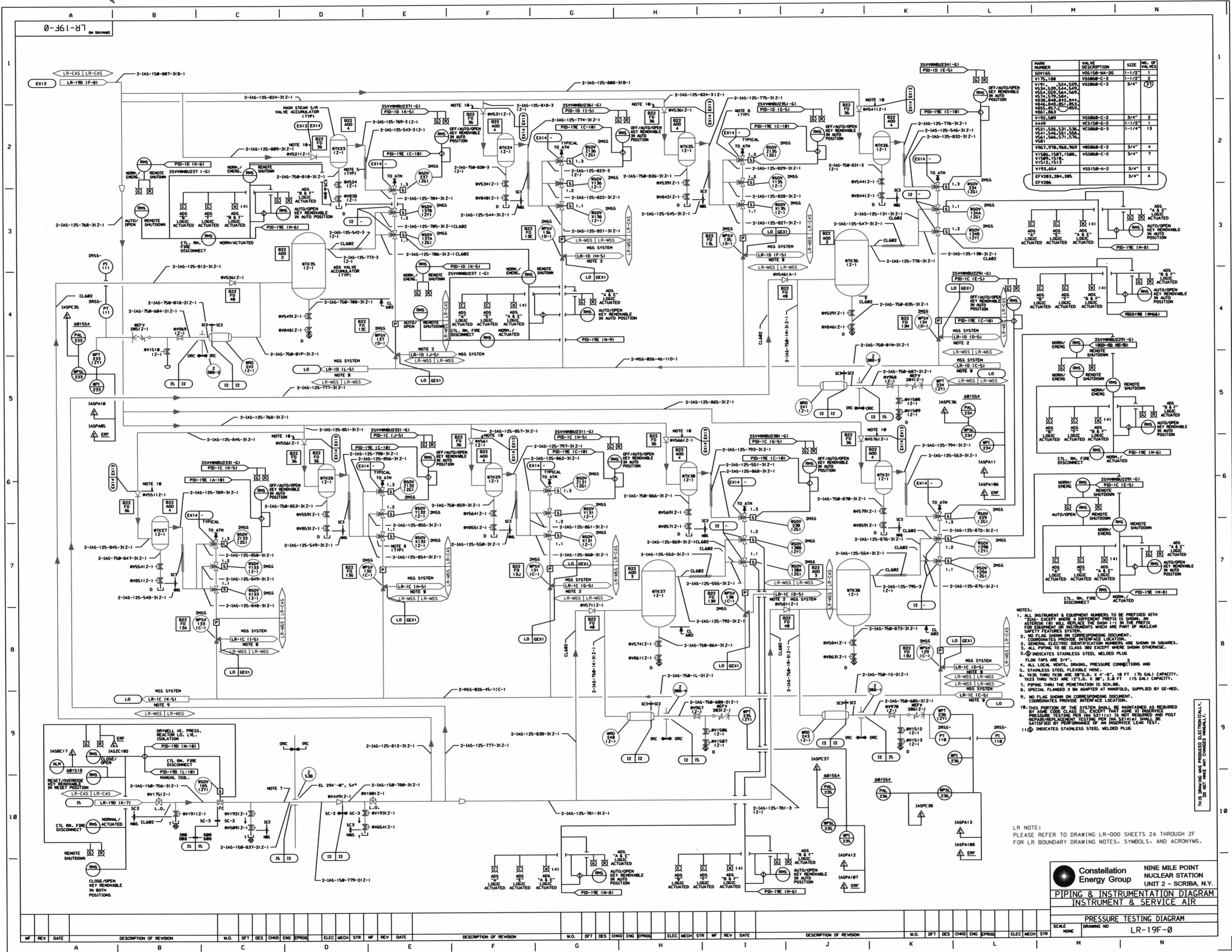


133



- NOTES:
1. ALL INSTRUMENT & EQUIPMENT NUMBERS TO BE PREFIXED WITH "2IAS" EXCEPT WHERE A DIFFERENT PREFIX IS SHOWN. AN ASTERISK (*) WILL REPLACE THE DASH (-) IN THE PREFIX FOR EQUIPMENT OR INSTRUMENTS WHICH ARE PART OF NUCLEAR SAFETY FEATURES SYSTEM.
 2. NO FLAG SHOWN ON CORRESPONDING DOCUMENT.
 3. GENERAL ELECTRIC IDENTIFICATION NUMBERS ARE SHOWN IN SQUARES.
 4. ALL PIPING TO BE CLASS 300 EXCEPT WHERE SHOWN OTHERWISE.
 5. (S) INDICATES STAINLESS STEEL WELDED PLUG.
 6. ALL LOCAL VENTS, DRAINS, PRESSURE CONNECTIONS AND STAINLESS STEEL FLEXIBLE HOSE.
 7. TKS38 THROUGH TKS39 ARE 20" D. O. X 4'-8" H. 175 GALL CAPACITY. TKS38 THROUGH TKS39 ARE 17" I. D. X 38" X 24.8 FT (15 GALL CAPACITY).
 8. PIPING THROUGH PENETRATION IS SCH. 80.
 9. SPECIAL FLANGED X ON ADAPTER AT HANDOFF, SUPPLIED BY GE-HED. COORDINATES PROVIDE INTERFACE LOCATION.
 10. THIS PORTION OF THE SYSTEM SHALL BE MAINTAINED AS REQUIRED BY ASME CODE CLASS III, EXCEPT THAT ASPP, ALL DESIGNIVE PRESSURE TESTING (PCT) (11.1)(C) IS NOT REQUIRED AND POST REPAIR/REPLACEMENT TESTING PER INSPECTOR SHALL BE SATISFIED BY PERFORMANCE OF AN INSPECTOR LEAK TEST.
 11. (S) INDICATES STAINLESS STEEL WELDED PLUG.

LR NOTE:
PLEASE REFER TO DRAWING LR-000 SHEETS 2A THROUGH 2F FOR LR BOUNDARY DRAWING NOTES, SYMBOLS, AND ACRONYMS.

Constellation Energy Group
NINE MILE POINT NUCLEAR STATION UNIT 2 - SCRIBA, N.Y.
PIPING & INSTRUMENTATION DIAGRAM
INSTRUMENT & SERVICE AIR
PRESSURE TESTING DIAGRAM
SCALE: NONE
DRAWING NO: LR-19F-0