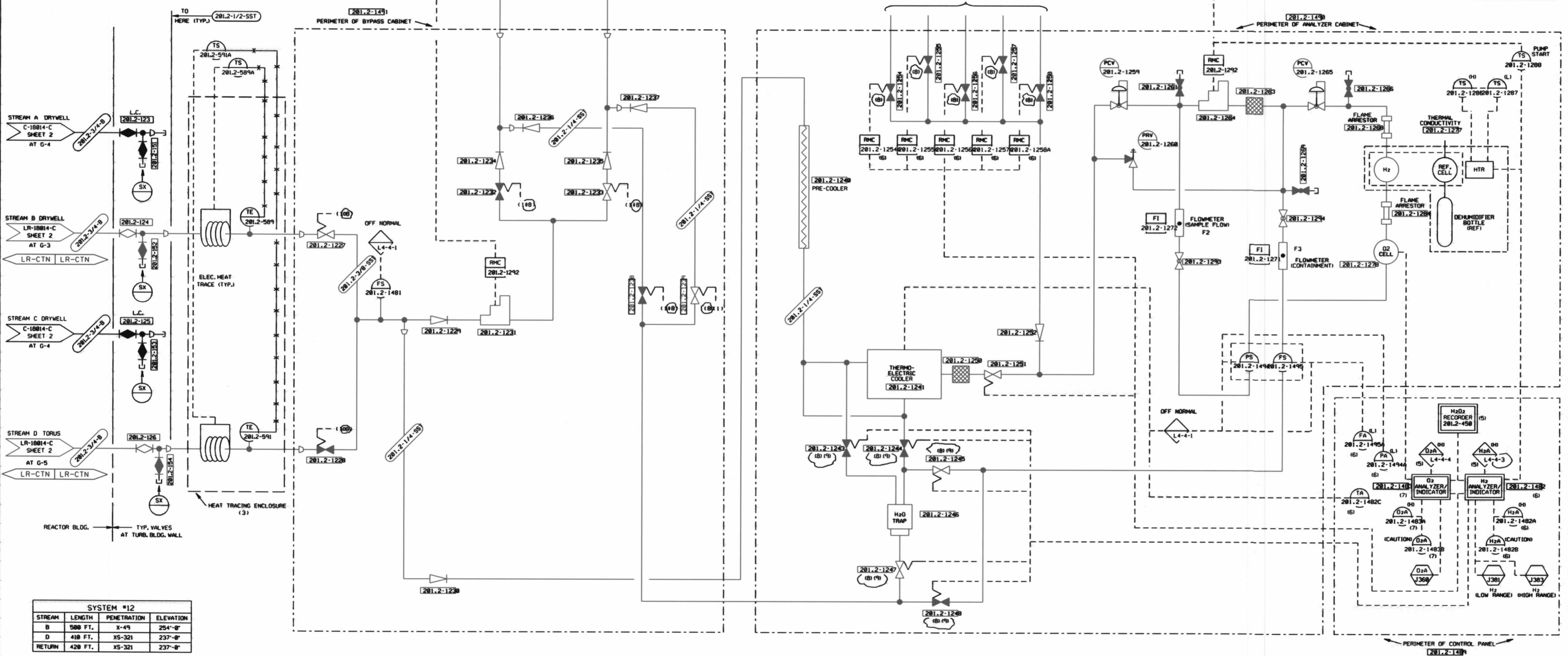


LR-26939-C

LR NOTE:
PLEASE REFER TO DRAWING LR-18000-C SHEETS 1 AND 2 FOR
LR BOUNDARY DRAWING NOTES, SYMBOLS, AND ACRONYMS.



SYSTEM #12			
STREAM	LENGTH	PENETRATION	ELEVATION
B	500 FT.	X-47	254'-0"
D	410 FT.	X5-321	237'-0"
RETURN	420 FT.	X5-321	237'-0"

- NOTE:
- (1) TO STREAM SELECTOR
 - (2) FOR PIPING SYMBOLS SEE DWG. C-18000-C
 - (3) SUPPLIED BY NNPC
 - (4) NOT USED
 - (5) LOCATED IN MAIN CONTROL ROOM (L) PANEL
 - (6) LOCATED IN HYDROGEN MODULE
 - (7) LOCATED IN OXYGEN MODULE
 - (8) SOLE VALVE CLOSED WHEN DE-ENERGIZED
 - (9) WATER PURGE VALVES ARE SHOWN IN THE "PURGE" POSITION. THEY ARE NORMALLY IN THE OPPOSITE POSITION.

NOTE: THIS DRAWING WAS CREATED USING
COMPUTER AIDED DRAWING
DO NOT MAKE MANUAL CHANGES

		STA NINE MILE POINT NUCLEAR STATION UNIT NO. 1	
PRIMARY CONTAINMENT ATMOSPHERE H2-O2 MONITOR SYSTEM #12			
P & I DIAGRAM			
APP	APP	DATE	REV
DES	DR	OR	CR
SCALE	DWG NO	INSTR	REV
NONE	LR-26939-C	3-N2.1-S18.9	0

0083