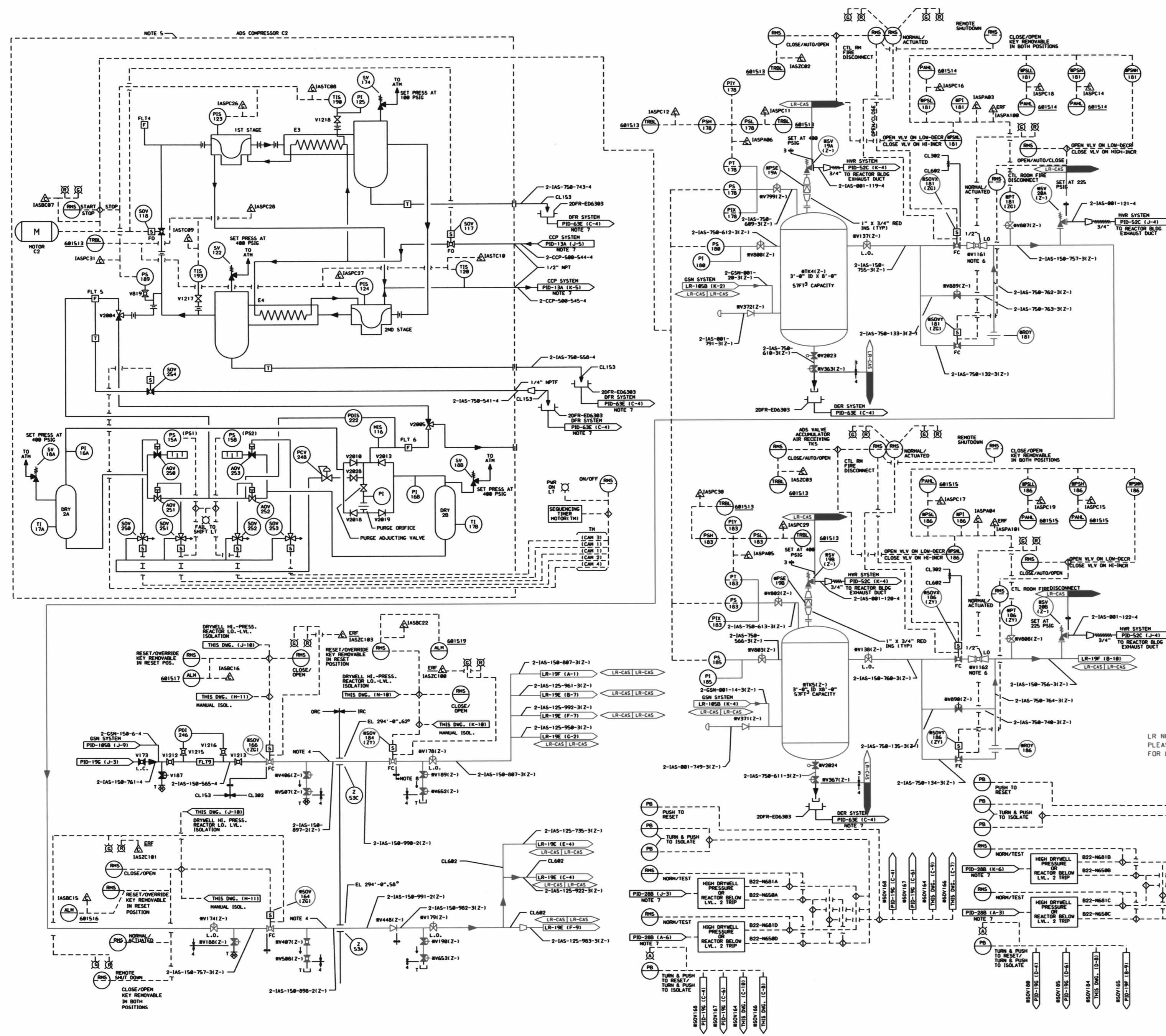


131

LR-19D-0



NAME NUMBER	VALVE DESCRIPTION	SIZE	NO. OF VALVES
SOV117,118	BY COMPRESSOR VENDOR		2
SOV164, 166, 184	VO15B-WA-20	1-1/2"	3
SOV181,186	VO15B-WB-30	1-1/2"	2
SOV181,186	VO15B-WB-30	3/4"	2
V137,138,174, 175,179	VS566B-C-3	1-1/2"	5
V173	VS566B-C-4	1-1/2"	1
V187	VS566B-C-4	3/4"	1
V188,189, 192, 193	VS566B-C-5	3/4"	11
V488,489,492,497, 588,589,599	VS566B-C-2	3/4"	3
V371,372	VS566B-C-3	1"	2
V486, 587	VS566B-C-2	3/4"	3
V448	VS566B-J-2	1-1/2"	1
WB19	VS566B-D-4	3/4"	1
V1212,1213	VO15B-W-2	1-1/2"	2
V1215,1216	VS566B-L-4	3/4"	2
V1217,1218	BY VENDOR		2
V1161,1162	VS566B-J-3	1/2"	2
V484,288,289, 291,292,293, 294,295,296,297,298,299,300,301,302,303,304,305,306,307,308,309,310,311,312,313,314,315,316,317,318,319,320,321,322,323,324,325,326,327,328,329,330,331,332,333,334,335,336,337,338,339,340,341,342,343,344,345,346,347,348,349,350,351,352,353,354,355,356,357,358,359,360,361,362,363,364,365,366,367,368,369,370,371,372,373,374,375,376,377,378,379,380,381,382,383,384,385,386,387,388,389,390,391,392,393,394,395,396,397,398,399,400,401,402,403,404,405,406,407,408,409,410,411,412,413,414,415,416,417,418,419,420,421,422,423,424,425,426,427,428,429,430,431,432,433,434,435,436,437,438,439,440,441,442,443,444,445,446,447,448,449,450,451,452,453,454,455,456,457,458,459,460,461,462,463,464,465,466,467,468,469,470,471,472,473,474,475,476,477,478,479,480,481,482,483,484,485,486,487,488,489,490,491,492,493,494,495,496,497,498,499,500,501,502,503,504,505,506,507,508,509,510,511,512,513,514,515,516,517,518,519,520,521,522,523,524,525,526,527,528,529,530,531,532,533,534,535,536,537,538,539,540,541,542,543,544,545,546,547,548,549,550,551,552,553,554,555,556,557,558,559,560,561,562,563,564,565,566,567,568,569,570,571,572,573,574,575,576,577,578,579,580,581,582,583,584,585,586,587,588,589,590,591,592,593,594,595,596,597,598,599,600,601,602,603,604,605,606,607,608,609,610,611,612,613,614,615,616,617,618,619,620,621,622,623,624,625,626,627,628,629,630,631,632,633,634,635,636,637,638,639,640,641,642,643,644,645,646,647,648,649,650,651,652,653,654,655,656,657,658,659,660,661,662,663,664,665,666,667,668,669,670,671,672,673,674,675,676,677,678,679,680,681,682,683,684,685,686,687,688,689,690,691,692,693,694,695,696,697,698,699,700,701,702,703,704,705,706,707,708,709,710,711,712,713,714,715,716,717,718,719,720,721,722,723,724,725,726,727,728,729,730,731,732,733,734,735,736,737,738,739,740,741,742,743,744,745,746,747,748,749,750,751,752,753,754,755,756,757,758,759,760,761,762,763,764,765,766,767,768,769,770,771,772,773,774,775,776,777,778,779,780,781,782,783,784,785,786,787,788,789,790,791,792,793,794,795,796,797,798,799,800,801,802,803,804,805,806,807,808,809,810,811,812,813,814,815,816,817,818,819,820,821,822,823,824,825,826,827,828,829,830,831,832,833,834,835,836,837,838,839,840,841,842,843,844,845,846,847,848,849,850,851,852,853,854,855,856,857,858,859,860,861,862,863,864,865,866,867,868,869,870,871,872,873,874,875,876,877,878,879,880,881,882,883,884,885,886,887,888,889,890,891,892,893,894,895,896,897,898,899,900,901,902,903,904,905,906,907,908,909,910,911,912,913,914,915,916,917,918,919,920,921,922,923,924,925,926,927,928,929,930,931,932,933,934,935,936,937,938,939,940,941,942,943,944,945,946,947,948,949,950,951,952,953,954,955,956,957,958,959,960,961,962,963,964,965,966,967,968,969,970,971,972,973,974,975,976,977,978,979,980,981,982,983,984,985,986,987,988,989,990,991,992,993,994,995,996,997,998,999,1000			

- NOTES:
- ALL INSTRUMENT AND EQUIPMENT NUMBERS TO BE PREFIXED WITH "115-" EXCEPT WHERE A DIFFERENT PREFIX IS SHOWN. AN ASTERISK (*) WILL REPLACE THE DASH (-) IN THE PREFIX FOR EQUIPMENT OR INSTRUMENTS WHICH ARE PART OF NUCLEAR SAFETY FEATURES SYSTEM.
 - ALL LOCAL DRAINS & PRESSURE CONNECTIONS ARE 3/4". THERMOWELL CONNECTIONS ARE 1-1/4" UNLESS OTHERWISE NOTED.
 - FOR DETAILS OF COMPRESSOR & DRYER PIPING VALVING AND REGENERATION CONTROL, SEE DSM FILE NO. 2.318-999-081 THROUGH -840.
 - PIPING THRU PENETRATIONS IS 5/8".
 - ADS COMPRESSOR C2 SHALL BE REMODED IN PLACE.
 - 2IASV1161 AND RV1162 SHALL BE THROTTLED TO THE OPTIMUM POSITION AND LOCKED IN PLACE.
 - NO FLGIC SHOWN ON CORRESPONDING DOCUMENT. COORDINATES PROVIDE INTERFACE LOCATION.
 - THIS PORTION OF THE SYSTEM SHALL BE MAINTAINED AS REQUIRED BY ASME CODE CLASS III, EXCEPT THAT ASME XI INSERVICE PRESSURE TESTING PER MA 5211(C) IS NOT REQUIRED AND POST REPAIR/REPLACEMENT TESTING PER MA 5214(A) SHALL BE SATISFIED BY PERFORMANCE OF AN INSERVICE LEAK TEST.
 - ASME CL. 3 OR 3 1/8" VALVES ARE ACCEPTABLE REPLACEMENTS FOR THE ORIGINAL DESIGN ASME CL. 3 6000 VALVES.

LR NOTE:
PLEASE REFER TO DRAWING LR-000 SHEETS 2A THROUGH 2F FOR LR BOUNDARY DRAWING NOTES, SYMBOLS, AND ACRONYMS.

SAFETY RELATED
QUALITY RELATED
(REF. SAR FIG. 9.3-1d & ISPT-19D)

Constellation Energy Group
NINE MILE POINT NUCLEAR STATION
UNIT 2 - SCRIBA, N.Y.
PIPING & INSTRUMENTATION DIAGRAM
INSTRUMENT & SERVICE AIR

SCALE	DRAWING NO	LR-19D-0
-------	------------	----------

NO.	REV.	DATE	DESCRIPTION OF REVISION	M.O.	DFT	DES	CHND	ENG	ELEC	MECH	STR	NO.	REV.	DATE	DESCRIPTION OF REVISION	M.O.	DFT	DES	CHND	ENG	ELEC	MECH	STR
A												B											