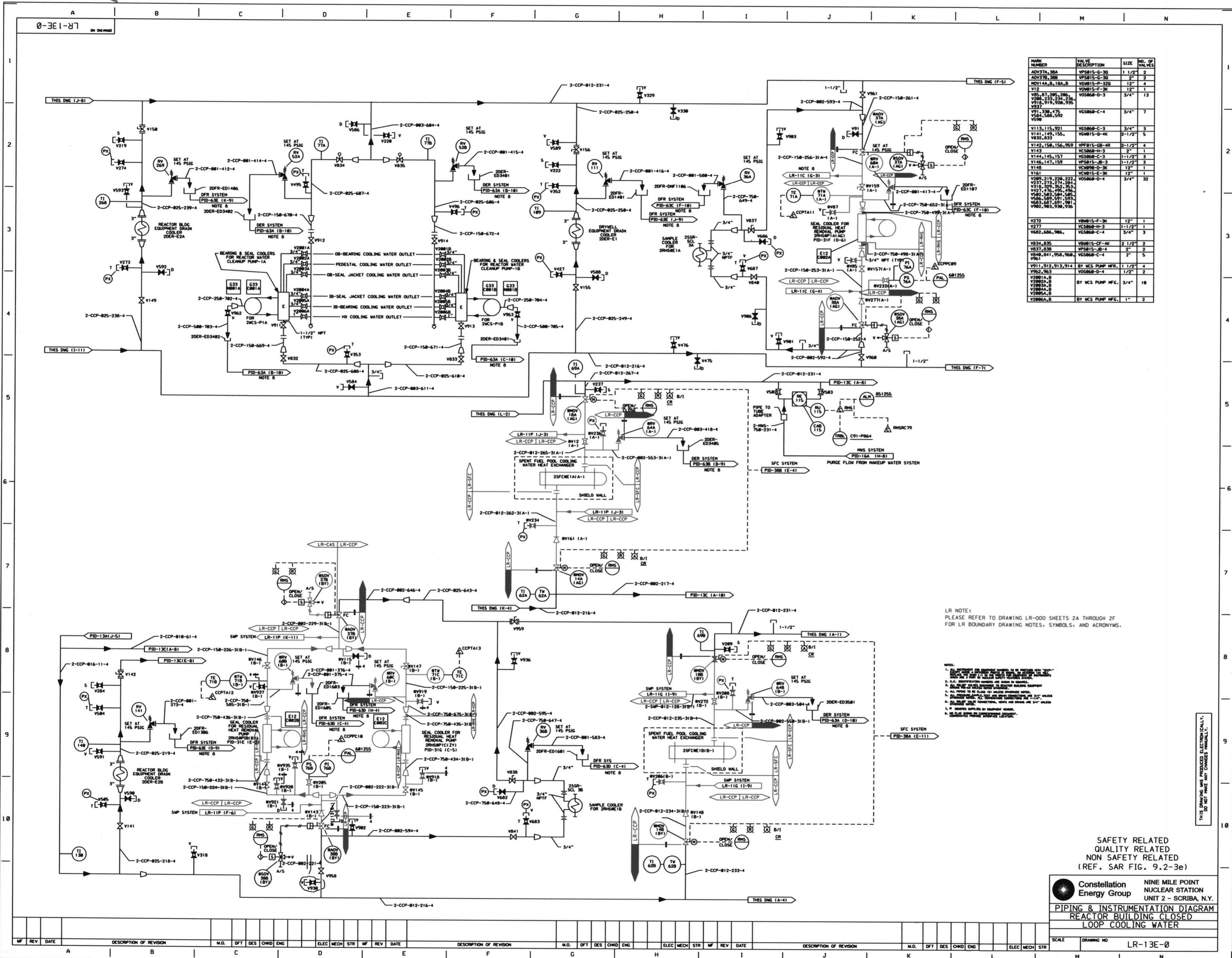


6210



NAME NUMBER	VALVE DESCRIPTION	SIZE	NO. OF VALVES
ADV37A,38A	VP5015-C-30	1 1/2"	2
ADV37B,38B	VP5015-C-30	2"	2
ADV14A,B,18A,B	V08015-P-320	12"	4
V15	V08015-F-3K	12"	1
V95, 97, 205, 206, V94, V98, 592, V98	V05060-D-3	3/4"	13
V91, 330, 475, V94, V98, 592, V98	V05060-C-4	3/4"	7
V113, 115, 921	V05060-C-3	3/4"	3
V141, 149, 155, V852, 833	V08015-O-4K	2-1/2"	5
V142, 150, 156, 959	V08015-GB-4R	2-1/2"	4
V143	V05060-H-3	2"	1
V144, 145, 157	V05060-C-3	1-1/2"	3
V146, 147, 159	VP5015-B-3	1-1/2"	3
V148	V08015-D-3K	12"	1
V161	V08015-E-3K	12"	1
V209, 219, 220, 222, V237, 273, 274, 291, V18, 549, 552, 553, V422, 476, 496, 496, V962, 983, 984, 985, V986, 989, 991, 993, V983, 987, 991, 991, V992, 983, 990, 995	V05060-D-4	3/4"	32
V272	V08015-F-3K	12"	1
V277	V05060-H-3	1-1/2"	1
V602, 606, 906, V834, 835, V837, 838, V940, 941, 950, 960, V96	V05060-C-4	3/4"	3
V834, 835	V08015-CF-4K	2 1/2"	2
V837, 838	VP5015-B-4	2"	2
V940, 941, 950, 960, V96	V05060-C-4	2"	5
V911, 912, 913, 914	BY MCS PUMP MFG.	1 1/2"	4
V962, 963	V05060-D-4	1 1/2"	2
V208A,B, V208A,B, V208A,B, V208A,B	BY MCS PUMP MFG.	3/4"	10
V208A,B	BY MCS PUMP MFG.	1"	2

LR NOTE:
PLEASE REFER TO DRAWING LR-000 SHEETS 2A THROUGH 2F FOR LR BOUNDARY DRAWING NOTES, SYMBOLS, AND ACRONYMS.

- 1. ALL INSTRUMENTS ARE IDENTIFIED BY THE INSTRUMENT TAG NUMBER. THE INSTRUMENT TAG NUMBER IS THE INSTRUMENT SYMBOL, THE INSTRUMENT FUNCTION, AND THE INSTRUMENT LOCATION. THE INSTRUMENT TAG NUMBER IS THE INSTRUMENT SYMBOL, THE INSTRUMENT FUNCTION, AND THE INSTRUMENT LOCATION.
- 2. ALL INSTRUMENTS ARE IDENTIFIED BY THE INSTRUMENT TAG NUMBER. THE INSTRUMENT TAG NUMBER IS THE INSTRUMENT SYMBOL, THE INSTRUMENT FUNCTION, AND THE INSTRUMENT LOCATION. THE INSTRUMENT TAG NUMBER IS THE INSTRUMENT SYMBOL, THE INSTRUMENT FUNCTION, AND THE INSTRUMENT LOCATION.
- 3. ALL INSTRUMENTS ARE IDENTIFIED BY THE INSTRUMENT TAG NUMBER. THE INSTRUMENT TAG NUMBER IS THE INSTRUMENT SYMBOL, THE INSTRUMENT FUNCTION, AND THE INSTRUMENT LOCATION. THE INSTRUMENT TAG NUMBER IS THE INSTRUMENT SYMBOL, THE INSTRUMENT FUNCTION, AND THE INSTRUMENT LOCATION.
- 4. ALL INSTRUMENTS ARE IDENTIFIED BY THE INSTRUMENT TAG NUMBER. THE INSTRUMENT TAG NUMBER IS THE INSTRUMENT SYMBOL, THE INSTRUMENT FUNCTION, AND THE INSTRUMENT LOCATION. THE INSTRUMENT TAG NUMBER IS THE INSTRUMENT SYMBOL, THE INSTRUMENT FUNCTION, AND THE INSTRUMENT LOCATION.
- 5. ALL INSTRUMENTS ARE IDENTIFIED BY THE INSTRUMENT TAG NUMBER. THE INSTRUMENT TAG NUMBER IS THE INSTRUMENT SYMBOL, THE INSTRUMENT FUNCTION, AND THE INSTRUMENT LOCATION. THE INSTRUMENT TAG NUMBER IS THE INSTRUMENT SYMBOL, THE INSTRUMENT FUNCTION, AND THE INSTRUMENT LOCATION.
- 6. ALL INSTRUMENTS ARE IDENTIFIED BY THE INSTRUMENT TAG NUMBER. THE INSTRUMENT TAG NUMBER IS THE INSTRUMENT SYMBOL, THE INSTRUMENT FUNCTION, AND THE INSTRUMENT LOCATION. THE INSTRUMENT TAG NUMBER IS THE INSTRUMENT SYMBOL, THE INSTRUMENT FUNCTION, AND THE INSTRUMENT LOCATION.
- 7. ALL INSTRUMENTS ARE IDENTIFIED BY THE INSTRUMENT TAG NUMBER. THE INSTRUMENT TAG NUMBER IS THE INSTRUMENT SYMBOL, THE INSTRUMENT FUNCTION, AND THE INSTRUMENT LOCATION. THE INSTRUMENT TAG NUMBER IS THE INSTRUMENT SYMBOL, THE INSTRUMENT FUNCTION, AND THE INSTRUMENT LOCATION.
- 8. ALL INSTRUMENTS ARE IDENTIFIED BY THE INSTRUMENT TAG NUMBER. THE INSTRUMENT TAG NUMBER IS THE INSTRUMENT SYMBOL, THE INSTRUMENT FUNCTION, AND THE INSTRUMENT LOCATION. THE INSTRUMENT TAG NUMBER IS THE INSTRUMENT SYMBOL, THE INSTRUMENT FUNCTION, AND THE INSTRUMENT LOCATION.
- 9. ALL INSTRUMENTS ARE IDENTIFIED BY THE INSTRUMENT TAG NUMBER. THE INSTRUMENT TAG NUMBER IS THE INSTRUMENT SYMBOL, THE INSTRUMENT FUNCTION, AND THE INSTRUMENT LOCATION. THE INSTRUMENT TAG NUMBER IS THE INSTRUMENT SYMBOL, THE INSTRUMENT FUNCTION, AND THE INSTRUMENT LOCATION.
- 10. ALL INSTRUMENTS ARE IDENTIFIED BY THE INSTRUMENT TAG NUMBER. THE INSTRUMENT TAG NUMBER IS THE INSTRUMENT SYMBOL, THE INSTRUMENT FUNCTION, AND THE INSTRUMENT LOCATION. THE INSTRUMENT TAG NUMBER IS THE INSTRUMENT SYMBOL, THE INSTRUMENT FUNCTION, AND THE INSTRUMENT LOCATION.

SAFETY RELATED
QUALITY RELATED
NON SAFETY RELATED
(REF. SAR FIG. 9.2-3e)

Constellation Energy Group
NINE MILE POINT NUCLEAR STATION
UNIT 2 - SCRIBA, N.Y.
PIPING & INSTRUMENTATION DIAGRAM
REACTOR BUILDING CLOSED
LOOP COOLING WATER

REV	DATE	DESCRIPTION OF REVISION	M.O.	DFT	DES	CHKD	ENG	ELEC	MECH	STR	MF	REV	DATE	DESCRIPTION OF REVISION	M.O.	DFT	DES	CHKD	ENG	ELEC	MECH	STR	MF	REV	DATE	DESCRIPTION OF REVISION	M.O.	DFT	DES	CHKD	ENG	ELEC	MECH	STR
-----	------	-------------------------	------	-----	-----	------	-----	------	------	-----	----	-----	------	-------------------------	------	-----	-----	------	-----	------	------	-----	----	-----	------	-------------------------	------	-----	-----	------	-----	------	------	-----