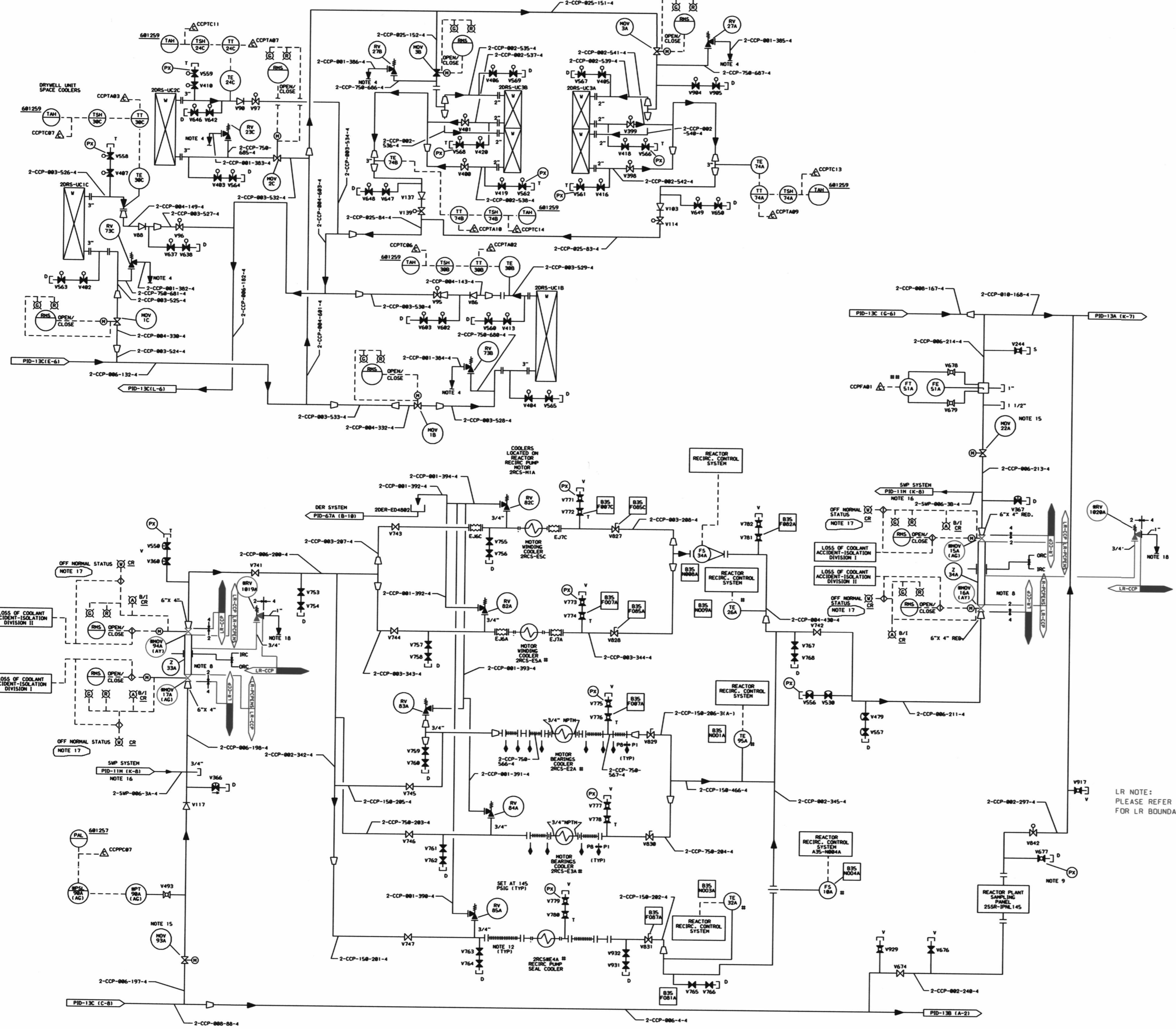


821D



MARK NUMBER	NAME DESCRIPTION	SIZE	NL. QP
MOV1B-1C	VCWB15-G-4K0	4"	2
MOV2C	VCWB15-G-4K0	3"	1
MOV3A-3B	VCWB15-G-4K0	2-1/2"	2
MOV15A-16A	VCWB15-P-2K0	4"	4
MOV17A-20A	VCWB15-P-2K0	4"	4
MOV22A-23A	VCWB15-P-2K0	6"	2
V50-55	VCWB15-H-4K	4"	2
V50	VCWB15-H-4K	3"	1
V55-56-57	VCWB15-CF-4K	3"	3
V183-137	VCWB15-H-4K	2-1/2"	2
V114-139	VCWB15-CF-4K	2-1/2"	2
V117	VCWB15-C-3K	6"	1
V244-677-917-929	VOS06B-D-4	3/4"	4
V369-366-367	VSS06B-D-3	3/4"	8
V475-501-508	VSS06B-D-3	3/4"	8
V481-542	VSS06B-D-3	3/4"	8
V482-483-487	VSS06B-D-3	3/4"	8
V488-489-490	VSS06B-D-3	3/4"	8
V481-542	VSS06B-D-3	3/4"	8
V482-483-487	VSS06B-D-3	3/4"	8
V488-489-490	VSS06B-D-3	3/4"	8
V493-494-498	VSS06B-D-3	3/4"	8
V501-502-503	VSS06B-D-3	3/4"	8
V504-505-506	VSS06B-D-3	3/4"	8
V507-508-509	VSS06B-D-3	3/4"	8
V510-511-512	VSS06B-D-3	3/4"	8
V513-514-515	VSS06B-D-3	3/4"	8
V518-519-520	VSS06B-D-3	3/4"	8
V521-522-523	VSS06B-D-3	3/4"	8
V524-525-526	VSS06B-D-3	3/4"	8
V529-530-531	VSS06B-D-3	3/4"	8
V534-535-536	VSS06B-D-3	3/4"	8
V539-540-541	VSS06B-D-3	3/4"	8
V544-545-546	VSS06B-D-3	3/4"	8
V549-550-551	VSS06B-D-3	3/4"	8
V554-555-556	VSS06B-D-3	3/4"	8
V559-560-561	VSS06B-D-3	3/4"	8
V564-565-566	VSS06B-D-3	3/4"	8
V569-570-571	VSS06B-D-3	3/4"	8
V574-575-576	VSS06B-D-3	3/4"	8
V579-580-581	VSS06B-D-3	3/4"	8
V584-585-586	VSS06B-D-3	3/4"	8
V589-590-591	VSS06B-D-3	3/4"	8
V594-595-596	VSS06B-D-3	3/4"	8
V600-501-502	VSS06B-D-3	3/4"	8
V493-771-772	VSS06B-D-3	3/4"	13
V773-774-775	VSS06B-D-3	3/4"	13
V776-777-778	VSS06B-D-3	3/4"	13
V779-780-781	VSS06B-D-3	3/4"	13
V782	VSS06B-D-3	3/4"	13
V674	VSS06B-C-4	3"	1
V676	VSS06B-C-4	3/4"	1
V678-679	BY ANNULAR HR.	N/A	2
V741-742	VCWB15-P-2K	6"	2
V743-744	VCWB15-P-2K	3"	2
V745-747	VCWB15-P-2K	1-1/2"	2
V746-747	VCWB15-P-2K	3/4"	19
V748-751-754-755	VCWB15-P-2K	3/4"	19
V752-753-754	VCWB15-P-2K	3/4"	19
V756-757-758	VCWB15-P-2K	3/4"	19
V759-760-761	VCWB15-P-2K	3/4"	19
V762-763-764	VCWB15-P-2K	3/4"	19
V765-766-767	VCWB15-P-2K	3/4"	19
V768-769-770	VCWB15-P-2K	3/4"	19
V771-772-773	VCWB15-P-2K	3/4"	19
V774-775-776	VCWB15-P-2K	3/4"	19
V777-778-779	VCWB15-P-2K	3/4"	19
V780-781-782	VCWB15-P-2K	3/4"	19
V827-828	VPWB15-GA-3K	3"	2
MOV1-531	VPWB15-C-3	1 1/2"	2
V830	VPWB15-C-3	3/4"	1

- NOTES:
1. ALL INSTRUMENTS AND EQUIPMENT NUMBERS TO BE PREFIXED WITH "2-CCP-" EXCEPT WHERE A DIFFERENT PREFIX IS SHOWN. AN asterisk (*) SHALL REPLACE THE DASH (-) IN THE PREFIX FOR EQUIPMENT OR INSTRUMENTS WHICH ARE A PART OF NUCLEAR SAFETY FEATURES SYSTEM.
 2. C.I.E. IDENTIFICATION NUMBERS ARE SHOWN IN SQUARES.
 3. ALL PIPING TO BE CLASS 151 UNLESS OTHERWISE NOTED.
 4. RELIEF VALVES SET AT 145 PSIG & DISCHARGE TO PLATFORM FLOOR UNLESS NOTED.
 5. ALL TEMPERATURE CONNECTIONS ARE 1-1/4". SAMPLE CONNECTIONS AND PRESSURE CONNECTIONS ARE 3/4".
 6. ALL RELIEF VALVE CONNECTIONS, VENTS AND DRAINS ARE 3/4" UNLESS OTHERWISE NOTED.
 7. EQUIPMENT IS SAFETY CLASS 4 WHERE NOTED.
 8. CONTAINMENT ISOLATION VALVES INSTALLED ON END OF PENETRATION.
 9. SAMPLE PANEL WITH INTERNAL PIPING, VALVES AND INSTRUMENTS SUPPLIED BY SAMPLE COOLER MANUFACTURER.
 10. # DENOTES EQUIPMENT SUPPLIED BY REACTOR REGENERATION PUMP AND MOTOR VENDOR.
 11. ## DENOTES ANNULARBAR AND VALVES BY ANNULARBAR MANUFACTURER.
 12. #@@# DENOTES 3" NOMINAL IN ALL DIRECTIONS WITH A MINIMUM 145 PSIG DISCH PRESS AND 158" DISCH TEMP.
 - 13.
 14. SYMBOL ◊ INDICATES DISSIMILAR METAL WELD.
 15. VALVE IS NON-FUNCTIONAL. POWER SUPPLY IS DISCONNECTED.
 16. NO FLAG SHOWN ON CORRESPONDING DOCUMENT. COORDINATES PROVIDE INTERFACE LOCATION.
 17. OFF-NORMAL STATUS DISPLAY SYSTEM IS ABANDONED IN PLACE.
 18. RELIEF VALVE IS SET AT 145 PSIG AND DISCHARGES TO THE ATMOSPHERE. VALVE IS STAINLESS STEEL.

LR NOTE:
PLEASE REFER TO DRAWING LR-000 SHEETS 2A THROUGH 2F FOR LR BOUNDARY DRAWING NOTES, SYMBOLS, AND ACRONYMS.

SAFETY RELATED
QUALITY RELATED
NON-SAFETY RELATED
(REF. SAR FIG. 9.2-3d & ISPT-13D)

Constellation Energy Group NINE MILE POINT NUCLEAR STATION UNIT 2 - SCRIBA, N.Y.

PIPING & INSTRUMENTATION DIAGRAM
REACTOR BUILDING CLOSED LOOP COOLING WATER

SCALE: NONE DRAWING NO: LR-13D-0

NO.	REV.	DATE	DESCRIPTION OF REVISION