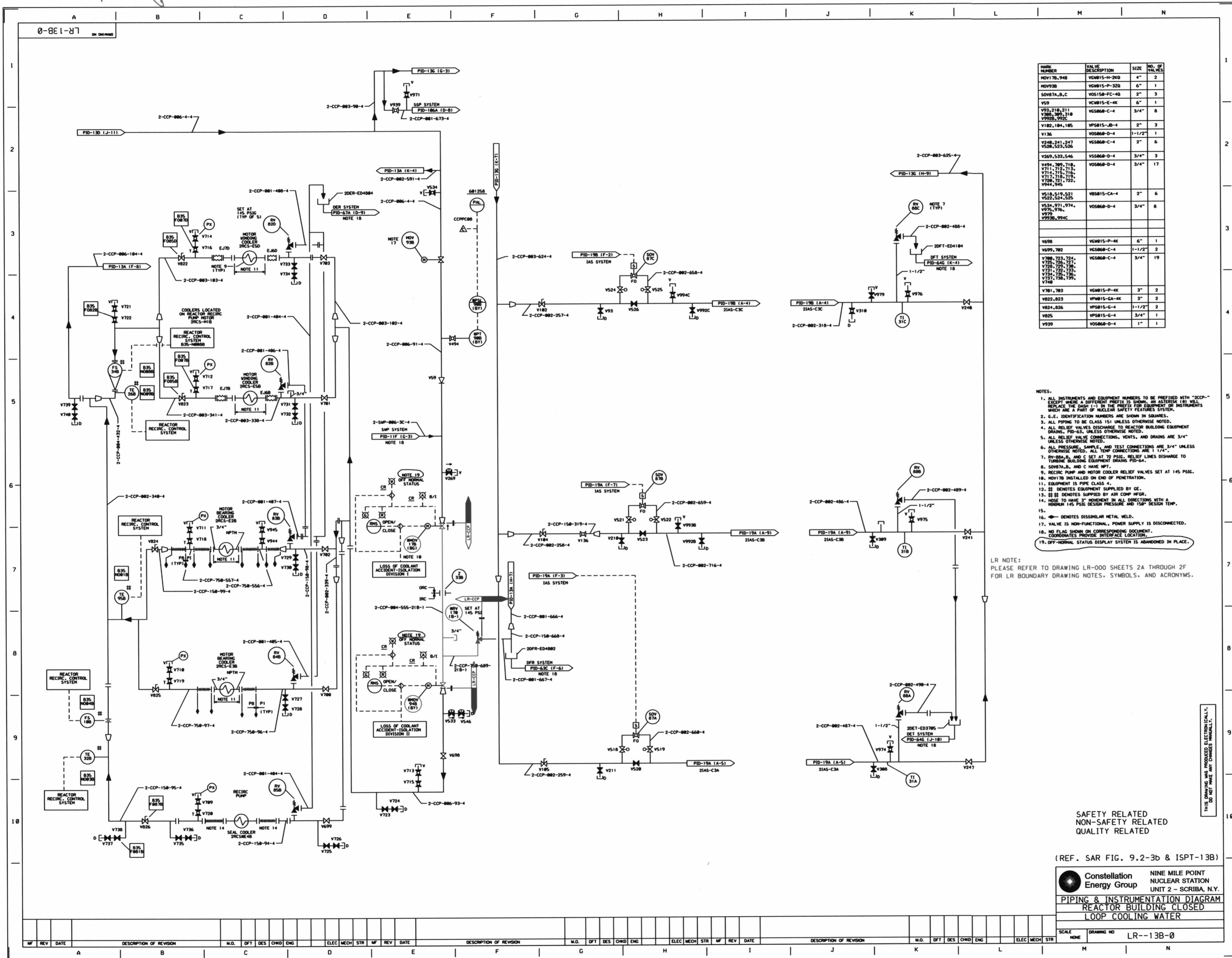


126



- NOTES:
1. ALL INSTRUMENTS AND EQUIPMENT NUMBERS TO BE PREFIXED WITH "CCP-" EXCEPT WHERE A DIFFERENT PREFIX IS SHOWN. IN NOTE 18) WILL REPLACE THE DASH (-) BY THE PREFIX FOR EQUIPMENT OR INSTRUMENTS WHICH ARE A PART OF NUCLEAR SAFETY FEATURES SYSTEM.
 2. C.I. IDENTIFICATION NUMBERS ARE SHOWN IN SQUARES.
 3. ALL PIPING TO BE CLASS 151 UNLESS OTHERWISE NOTED.
 4. ALL RELIEF VALVES DISCHARGE TO REACTOR BUILDING EQUIPMENT DRAINS. PID-63, UNLESS OTHERWISE NOTED.
 5. ALL RELIEF VALVE CONNECTIONS, VENTS, AND DRAINS ARE 3/4" UNLESS OTHERWISE NOTED.
 6. ALL PRESSURE, SAMPLE, AND TEST CONNECTIONS ARE 3/4" UNLESS OTHERWISE NOTED. ALL TEMP CONNECTIONS ARE 1/4".
 7. RV-80A, B, AND C SET AT 75 PSIG. RELIEF LINES DISCHARGE TO TURBINE BUILDING EQUIPMENT DRAINS PID-64.
 8. SOV87A, B, AND C HAVE NPT.
 9. RECIRC PUMP AND MOTOR COOLER RELIEF VALVES SET AT 145 PSIG.
 10. MOV178 INSTALLED ON END OF PENETRATION.
 11. EQUIPMENT IS PIPE CLASS 4.
 12. ** DENOTES EQUIPMENT SUPPLIED BY GE.
 13. \$\$\$ DENOTES SUPPLIED BY AIR COMP MFR.
 14. HOSE TO HAVE 3" MOVEMENT IN ALL DIRECTIONS WITH A MINIMUM 145 PSIG DESIGN PRESSURE AND 150# DESIGN TEMP.
 15. --- DENOTES DISSIMILAR METAL WELD.
 16. --- DENOTES NON-FUNCTIONAL, POWER SUPPLY IS DISCONNECTED.
 17. NO FLAG SHOWN ON CORRESPONDING DOCUMENT.
 18. COORDINATES PROVIDE INTERFACE LOCATION.
 19. DFF-NORMAL STATUS DISPLAY SYSTEM IS ABANDONED IN PLACE.

LR NOTE:
PLEASE REFER TO DRAWING LR-000 SHEETS 2A THROUGH 2F FOR LR BOUNDARY DRAWING NOTES, SYMBOLS, AND ACRONYMS.

SAFETY RELATED
NON-SAFETY RELATED
QUALITY RELATED

(REF. SAR FIG. 9.2-3b & ISPT-13B)

Constellation Energy Group
NINE MILE POINT NUCLEAR STATION UNIT 2 - SCRIBA, N.Y.
PIPING & INSTRUMENTATION DIAGRAM
REACTOR BUILDING CLOSED LOOP COOLING WATER

SCALE NONE DRAWING NO LR-13B-0