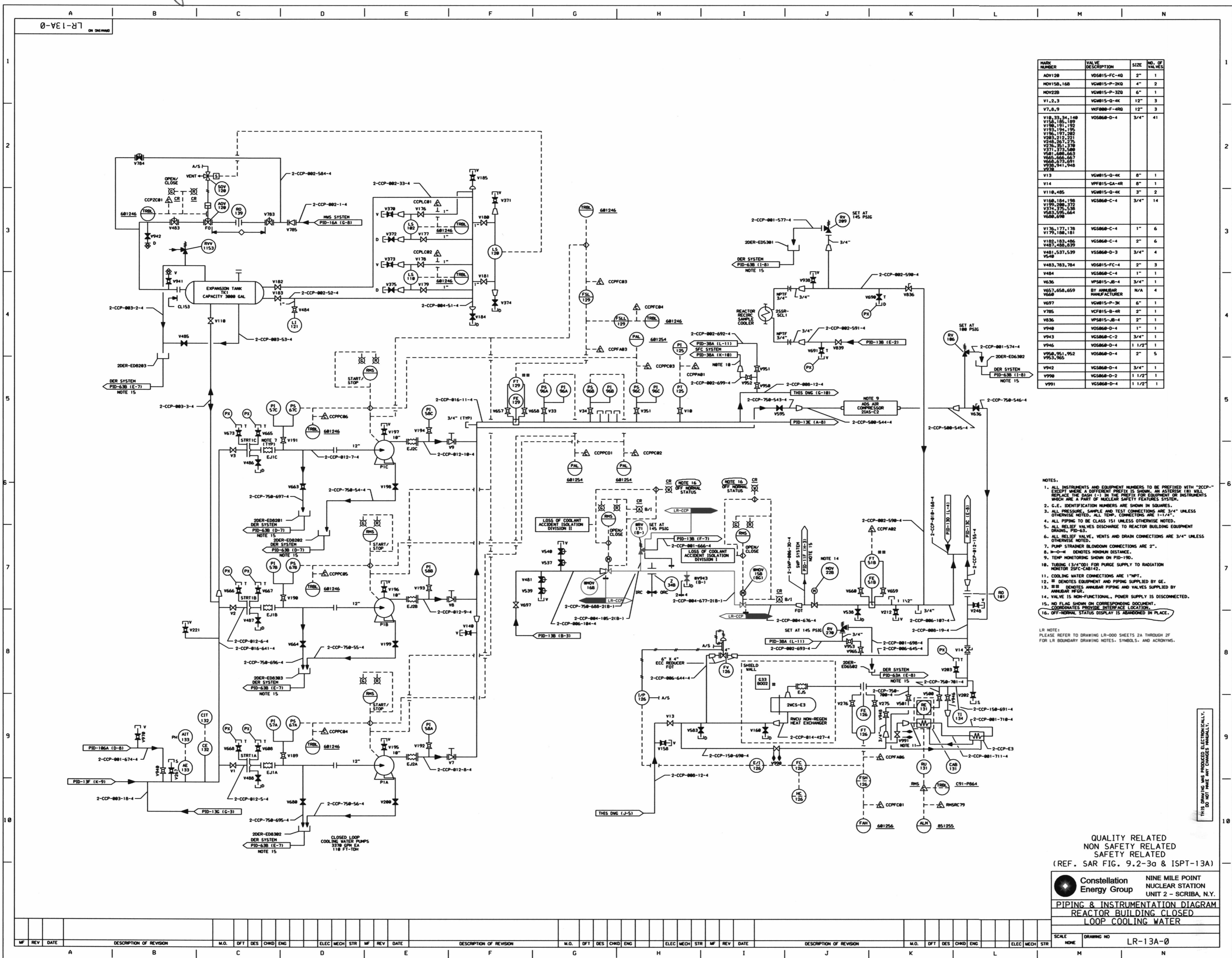


D125

LR-13A-0



MARK NUMBER	VALVE DESCRIPTION	SIZE	NO. OF VALVES
ADV120	VS015-FC-40	2"	1
ADV150,160	VS015-F-2K0	4"	2
ADV220	VS015-P-3Z0	6"	1
V1,2,3	VS015-Q-4K	12"	3
V7,8,9	VCF000-F-4R0	12"	3
V10, 33, 34, 140 V150, 151, 152 V190, 191, 192 V193, 194, 195 V196, 197, 202 V203, 215, 221 V240, 267, 276 V279, 281, 288 V371, 373, 500 V381, 400, 403 V655, 656, 667 V663, 675, 684 V730	VS000-D-4	3/4"	41
V13	VS015-Q-4K	8"	1
V14	VPF015-CA-4R	8"	1
V110, 405	VS015-Q-4K	3"	2
V160, 164, 168 V190, 200, 322 V374, 375, 538 V503, 515, 644 V680, 678	VS000-C-4	3/4"	14
V176, 177, 178 V179, 180, 181	VS000-C-4	1"	6
V182, 183, 486 V487, 488, 639	VS000-C-4	2"	6
V481, 537, 539 V540	VS000-D-3	3/4"	4
V483, 703, 784	VS015-FC-4	2"	3
V484	VS000-C-4	1"	1
V630	VFS015-B-4	3/4"	1
V657, 658, 659 V668	N/A	N/A	4
V697	VS015-P-3K	6"	1
V785	VCF015-B-4R	2"	1
V830	VFS015-B-4	2"	1
V940	VS000-D-4	1"	1
V943	VS000-C-2	3/4"	1
V946	VS000-D-4	1 1/2"	1
V950, 951, 952 V953, 956	VS000-D-4	2"	5
V942	VS000-D-4	3/4"	1
V998	VS000-D-2	1 1/2"	1
V991	VS000-D-4	1 1/2"	1

- NOTES:
1. ALL INSTRUMENTS AND EQUIPMENT NUMBERS TO BE PREFIXED WITH "2CCP" EXCEPT WHERE A DIFFERENT PREFIX IS SHOWN. AN ADJUSTING RIB WILL REPLACE THE DASH (-) IN THE PREFIX FOR EQUIPMENT OR INSTRUMENTS WHICH ARE A PART OF NUCLEAR SAFETY FEATURES SYSTEM.
 2. C.I.E. IDENTIFICATION NUMBERS ARE SHOWN IN SQUARES.
 3. ALL PRESSURE, SAMPLE AND TEST CONNECTIONS ARE 3/4" UNLESS OTHERWISE NOTED. ALL TEMP. CONNECTIONS ARE 1/2".
 4. ALL PIPING TO BE CLASS 151 UNLESS OTHERWISE NOTED.
 5. ALL RELIEF VALVES DISCHARGE TO REACTOR BUILDING EQUIPMENT DRAINING, PID-63.
 6. ALL RELIEF VALVE, VENTS AND DRAIN CONNECTIONS ARE 3/4" UNLESS OTHERWISE NOTED.
 7. PUMP STRAINER BLOWDOWN CONNECTIONS ARE 2".
 8. N-O-4 DENOTES MINIMUM DISTANCE.
 9. TEMP MONITORING SHOWN ON PID-150.
 10. TUBING (3/4"OD) FOR PURGE SUPPLY TO RADIATION MONITOR CPS-24812.
 11. COOLING WATER CONNECTIONS ARE 1"WT.
 12. W DENOTES EQUIPMENT AND PIPING SUPPLIED BY GE.
 13. IIB DENOTES ANTI-DRIFT PIPING AND VALVES SUPPLIED BY AMERICAN REG.
 14. VALVE IS NON-FUNCTIONAL. POWER SUPPLY IS DISCONNECTED.
 15. NO FLAG SHOWN ON CORRESPONDING DOCUMENT. COORDINATES PROVIDE INTERFACE LOCATION.
 16. OFF-NORMAL STATUS DISPLAY IS ARCHIBONED IN PLACE.

LR NOTE:
PLEASE REFER TO DRAWING LR-000 SHEETS 2A THROUGH 2F FOR LR BOUNDARY DRAWING NOTES, SYMBOLS, AND ACRONYMS.

QUALITY RELATED
NON SAFETY RELATED
SAFETY RELATED
(REF. SAR FIG. 9.2-3a & ISPT-13A)

Constellation Energy Group NINE MILE POINT NUCLEAR STATION UNIT 2 - SCRIBA, N.Y.

PIPING & INSTRUMENTATION DIAGRAM
REACTOR BUILDING CLOSED LOOP COOLING WATER

SCALE NONE DRAWING NO LR-13A-0

REVISIONS											
NO	REV	DATE	DESCRIPTION OF REVISION	M.O.	DFT	DES	CHKD	ENG	ELEC	MECH	STR

...LR-013_a.dgn 5/14/2004 10:18:42 AM