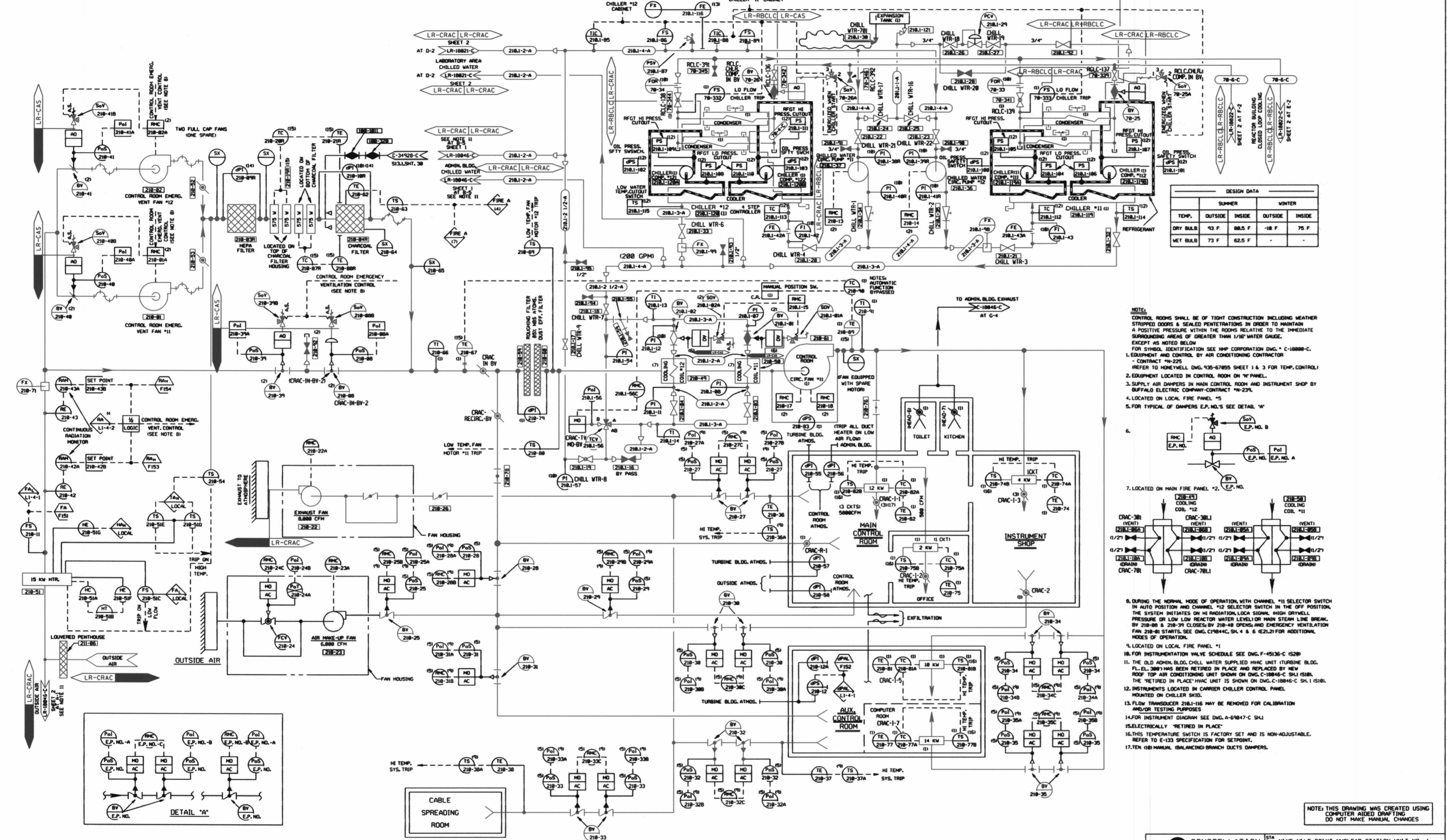


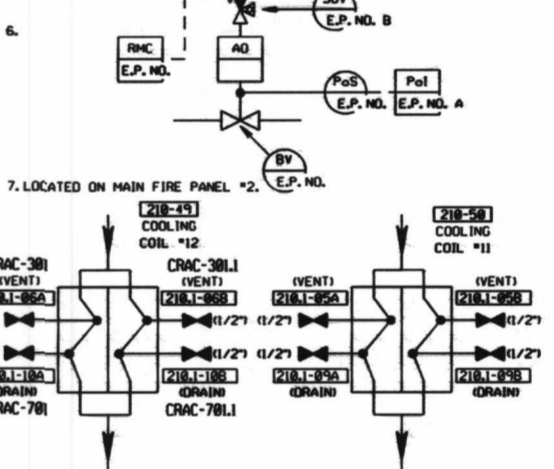
LR-18047-C



DESIGN DATA

	SUMMER	WINTER
TEMP. OUTSIDE	93 F	-18 F
TEMP. INSIDE	68.5 F	75 F
WET BULB	73 F	62.5 F

- NOTE:
- CONTROL ROOMS SHALL BE OF TIGHT CONSTRUCTION INCLUDING WEATHER STRIPPED DOORS & SEALED PENETRATIONS IN ORDER TO MAINTAIN A POSITIVE PRESSURE WITHIN THE ROOMS RELATIVE TO THE IMMEDIATE SURROUNDING AREAS OF GREATER THAN 1/4" WATER GAUGE. EXCEPT AS NOTED BELOW FOR SYMBOL IDENTIFICATION SEE HWP CORPORATION DWG. C-18000-C. CONTRACT #4-225
 - REFER TO HONEYWELL DWG. 935-67055 SHEET 1 & 3 FOR TEMP. CONTROL EQUIPMENT AND CONTROLS BY AIR CONDITIONING CONTRACTOR
 - SUPPLY AIR DAMPERS IN MAIN CONTROL ROOM AND INSTRUMENT SHOP BY BUFFALO ELECTRIC COMPANY-CONTRACT #4-239.
 - LOCATED ON LOCAL FIRE PANEL #5
 - FOR TYPICAL OF DAMPERS E.P. NO.'S SEE DETAIL "A"



- DURING THE NORMAL MODE OF OPERATION WITH CHANNEL #11 SELECTOR SWITCH IN AUTO POSITION AND CHANNEL #12 SELECTOR SWITCH IN THE OFF POSITION, THE SYSTEM INITIATES ON HI RADIATION LOCAL SIGNAL HIGH DRYWELL PRESSURE OR LOW LOW REACTOR WATER LEVEL OR MAIN STEAM LINE BREAK. BY 218-80 & 218-79 CLOSING BY 218-48 OPENS AND EMERGENCY VENTILATION FAN 218-81 STARTS. SEE DWG. C18044-C, SK. 4 & 6 & 218-21 FOR ADDITIONAL MODES OF OPERATION.
- LOCATED ON LOCAL FIRE PANEL #1
- FOR INSTRUMENTATION VALVE SCHEDULE SEE DWG. F-45136-C (S2B)
- THE OLD ADMIN. BLDG. CHILL WATER SUPPLIED HVAC UNIT (TURBINE BLDG. FL. 2L) HAS BEEN RETIRED IN PLACE AND REPLACED BY NEW ROOF TOP AIR CONDITIONING UNIT SHOWN ON DWG. C-18046-C SK.1 (S1B). THE 'RETIRED IN PLACE' HVAC UNIT IS SHOWN ON DWG. C-18046-C SK.1 (S1B).
- INSTRUMENTS LOCATED IN CARRIER CHILLER CONTROL PANEL MOUNTED ON CHILLER SKID.
- FLOW TRANSDUCER 218-116 MAY BE REMOVED FOR CALIBRATION AND/OR TESTING PURPOSES
- FOR INSTRUMENT DIAGRAM SEE DWG. A-60847-C SK.1
- THIS TEMPERATURE SWITCH IS FACTORY SET AND IS NON-ADJUSTABLE. REFER TO C-133 SPECIFICATION FOR SETPOINT.
- TEEN (B) MANUAL (BALANCING) BRANCH DUCTS DAMPERS.

NOTE: THIS DRAWING WAS CREATED USING COMPUTER AIDED DRAFTING DO NOT MAKE MANUAL CHANGES

LR NOTE:
PLEASE REFER TO DRAWING LR-18000-C SHEETS 1 AND 2 FOR LR BOUNDARY DEFINITION, SYMBOLS, AND ACRONYMS.

CONSTELLATION ENERGY GROUP		STA NINE MILE POINT NUCLEAR STATION UNIT NO. 1	
CONTROL ROOM			
HEATING VENTILATING & AIR COND.			
SYSTEM			
P & I DIAGRAM			
APP	DATE	DWG NO	REV
DES	OR	OR	OR
SCALE	NONE	LR-18047-C	INDEX 1 0

D078