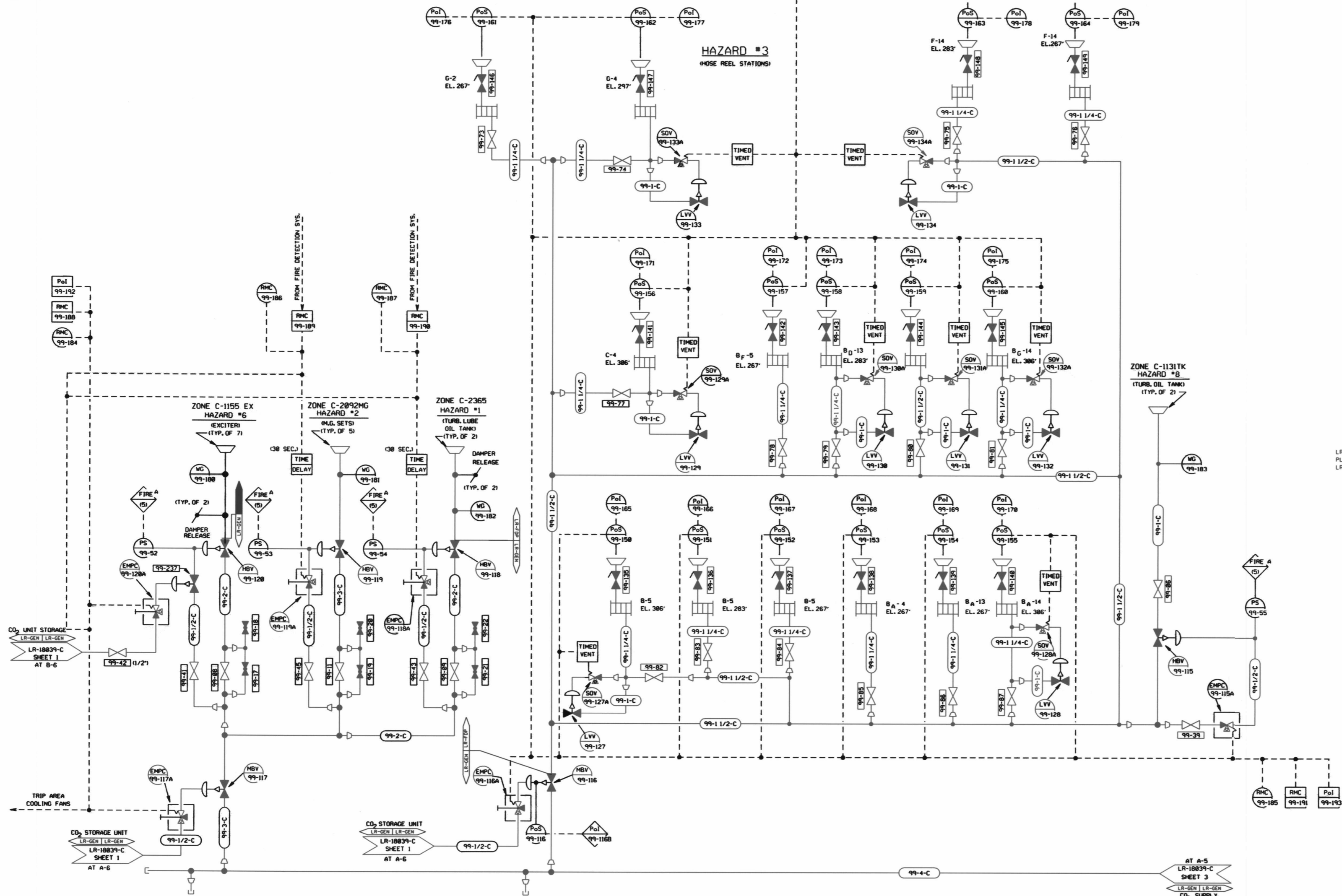


2
0-6E081-R7



LR NOTE:
PLEASE REFER TO DRAWING LR-18000-C SHEETS 1 AND 2 FOR
LR BOUNDARY DRAWING NOTES, SYMBOLS, AND ACRONYMS.

NOTE: THIS DRAWING WAS CREATED USING
COMPUTER AIDED DRAFTING
DO NOT MAKE MANUAL CHANGES

- LEGEND:**
- LEVER OPERATED HAND VALVE
 - DAMPER RELEASE
 - HOSE REEL STATION
 - NOZZLE
 - SAD SMOKE ACTIVATED DEVICE
 - HAD HEAT ACTIVATED DEVICE
 - MBV MASTER BLOCKING VALVE
 - HBV HAZARD BLOCKING VALVE
 - LHV LINE VALVE
 - FCP FIRE CONTROL PANEL (CONTROL ROOM)
 - WC WINTER GREEN CAPSULE
 - CCC FURNISHED BY CARDOX CHEMTRON CORP.
 - EMPC ELECTRO-MANUAL PILOT CONTROL CABINET

CONSTELLATION ENERGY GROUP		STA NINE MILE POINT NUCLEAR STATION UNIT NO. 1	
APP	APP	CARDON FIRE EXTINGUISHING SYSTEM	
APP	DATE 10-11-67	P & I DIAGRAM	
DES	DR	SCALE	REV
DR	AL	DWG NO LR-18039-0	SHEET 3-N2-S13.1
SCALE	REV		2 0

D069