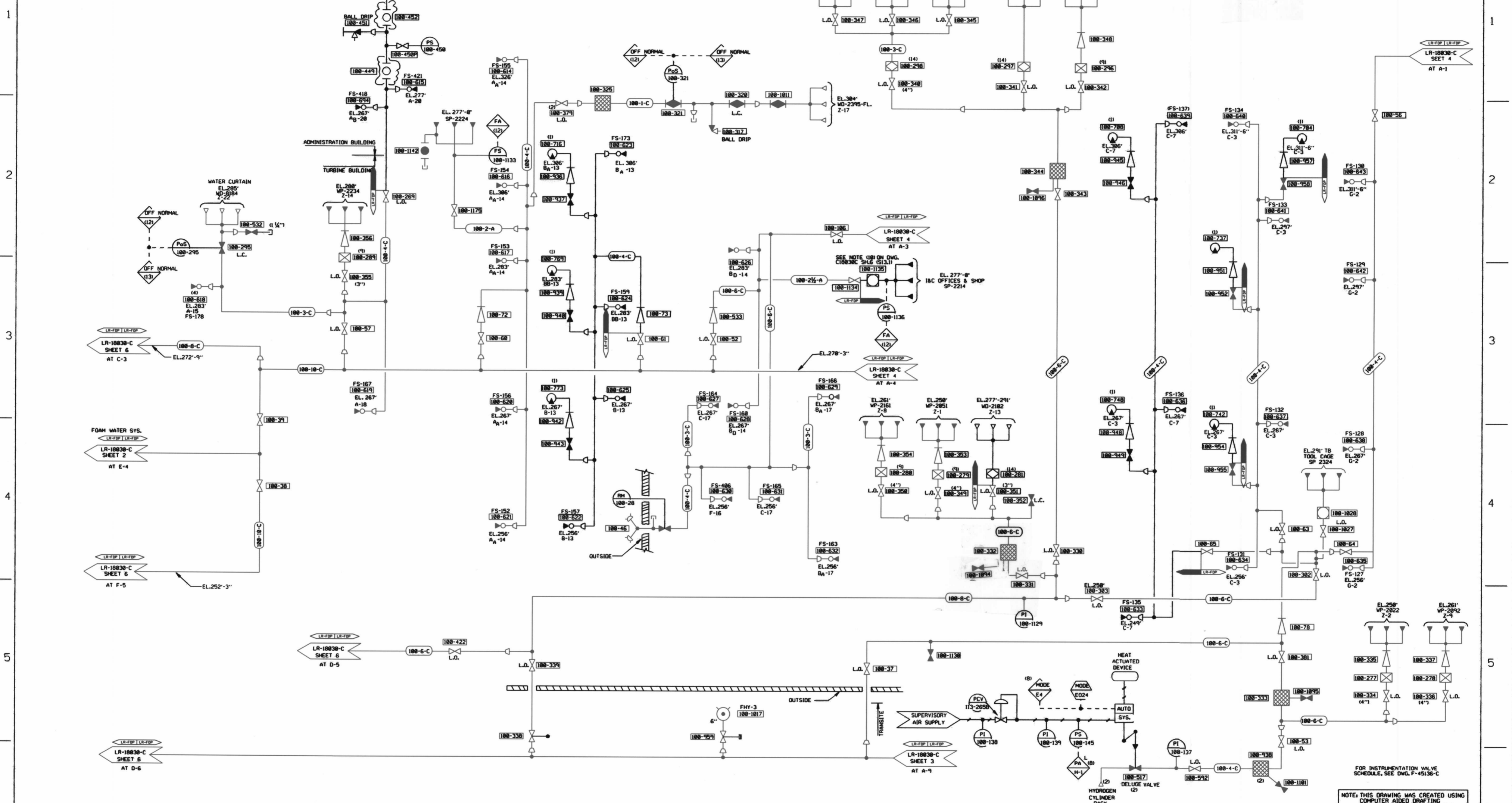


0-0001-17



FOR NOTES SEE SHEET 6

LR NOTE: PLEASE REFER TO DRAWING LR-18000-C SHEETS 1 AND 2 FOR LR BOUNDARY DRAWING NOTES, SYMBOLS, AND ACRONYMS.

CONSTITUTION ENERGY GROUP
 NINE MILE POINT NUCLEAR STATION UNIT NO. 1
 317.20-2225-18-0000

FIRE PROTECTION WATER SYSTEM
 P & I DIAGRAM

REV	DATE	BY	REMARKS	CK	APP	MF
0						

DWG NO: LR-18030-0 INDEX: 3-N2-S13.1 SH: 5 REV: 0

Dobo