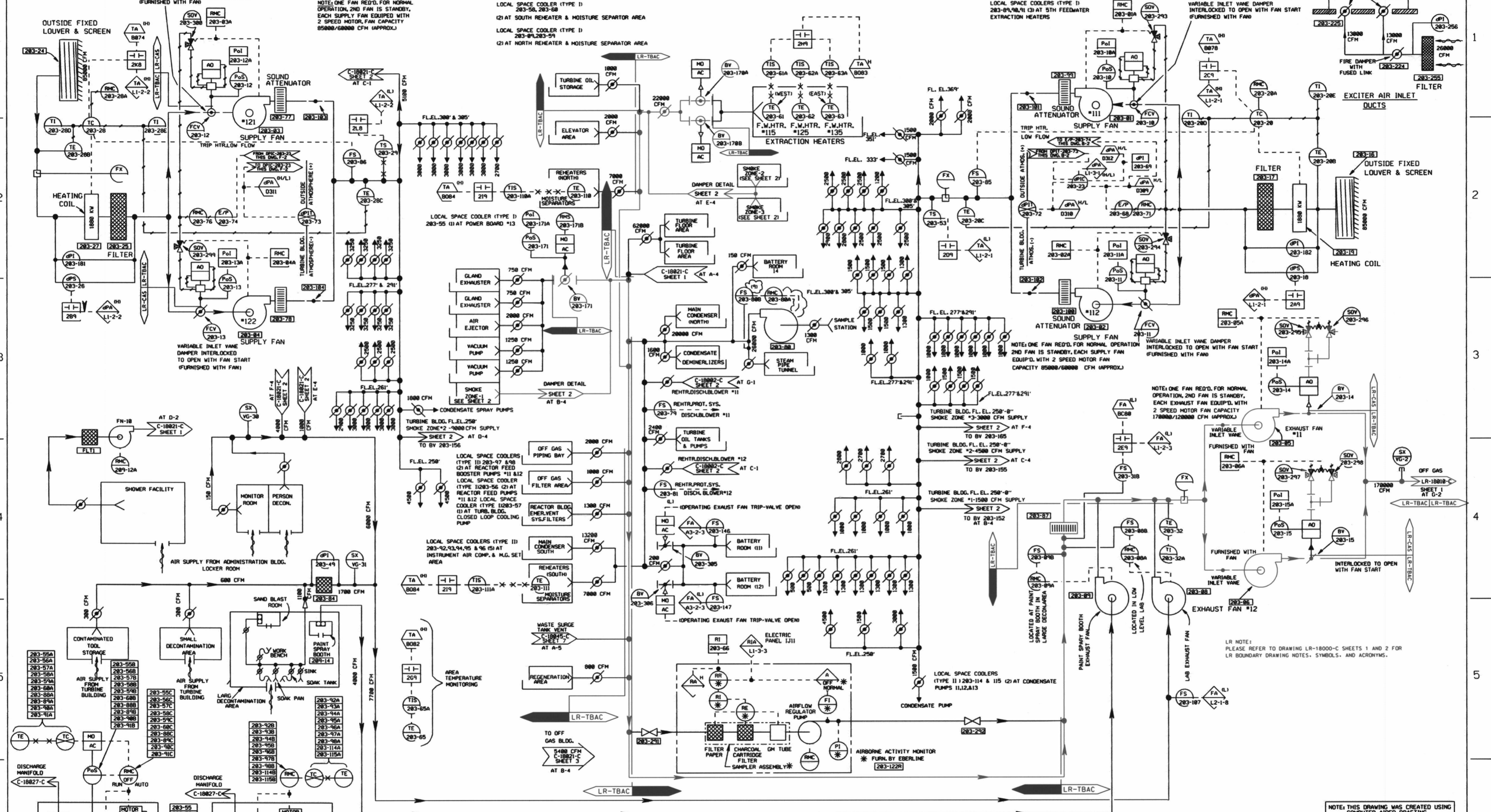


0-12081-87



NOTES:

- (1) LOCAL ELECTRIC SPACE HEATING UNITS SHOWN ON DWG. C-1984-C SHEET 5, 6, 7.
- (2) SEE DWG. C-1980B-C SHEET 2 FOR EQUIPMENT PIECE NUMBERS.
- (3) SEE DWG. C-1982-C SHEET 1 FOR EQUIPMENT PIECE NUMBERS.
- (4) TOTAL EXHAUST FLOW FROM SHIELDED AREAS WILL BE REDUCED BY APPROX. 4000 CFM WHEN OPERATING PAINT SPRAY BOOTH.
- (5) ALL EQUIPMENT, DUCTWORK AND CONTROLS, EXCEPT AS NOTED SHALL BE BY AIR CONDITIONING CONTRACTOR (KONEYELL, DWG. #935-67855-2C).
- (6) LOCATED ON THE ELEC. BOARD 3A IN MAIN CONTROL ROOM MATERIAL & EQUIPMENT SYSTEM 208. SYMBOLS SHOWN ON NMAP, DWG. C-18000-C.
- (7) THE HVAC FLOW RATES LISTED ON THIS DRAWING ARE SYSTEM DESIGN TARGET VALUES TO BE USED AS REFERENCE POINTS FOR INITIAL AND/OR PERIODIC FLOW BALANCING AND ARE NOT LIMITING REQUIRED VALUES.
- (8) RETIRED IN PLACE.

LR NOTE: PLEASE REFER TO DRAWING LR-18000-C SHEETS 1 AND 2 FOR LR BOUNDARY DRAWING NOTES, SYMBOLS, AND ACRONYMS.

NOTE: THIS DRAWING WAS CREATED USING COMPUTER AIDED DRAFTING. DO NOT MAKE MANUAL CHANGES.

APP		DATE		DWG NO		INDEX		REV	
NONE		NONE		LR-18021-C		3-N2-S10		1 0	

CONSTELLATION ENERGY GROUP
 NINE MILE POINT NUCLEAR STATION UNIT NO. 1
 TURBINE BUILDING HEATING COOLING AND VENTILATING SYSTEMS
 P & I DIAGRAM

0044