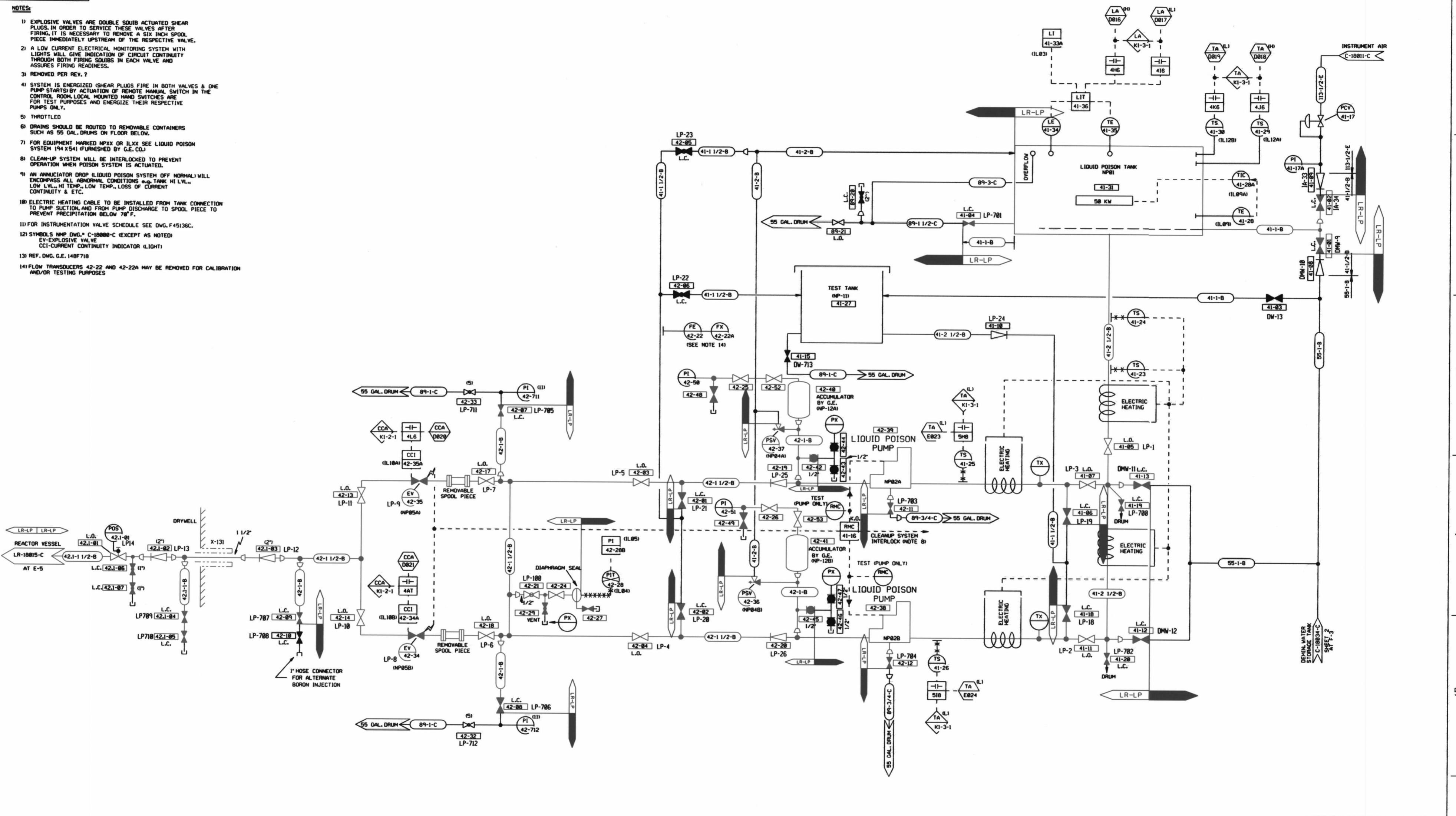


C-18019-C

- NOTES:**
- EXPLOSIVE VALVES ARE DOUBLE SQUIB ACTUATED SHEAR PLUGS. IN ORDER TO SERVICE THESE VALVES AFTER FIRING, IT IS NECESSARY TO REMOVE A SIX INCH SPOOL PIECE IMMEDIATELY UPSTREAM OF THE RESPECTIVE VALVE.
  - A LOW CURRENT ELECTRICAL MONITORING SYSTEM WITH LIGHTS WILL GIVE INDICATION OF CIRCUIT CONTINUITY THROUGH BOTH FIRING SQUIBS IN EACH VALVE AND ASSURES FIRING READINESS.
  - REMOVED PER REV. 7
  - SYSTEM IS ENERGIZED (SHEAR PLUGS FIRE IN BOTH VALVES & ONE PUMP STARTS) BY ACTUATION OF REMOTE MANUAL SWITCH IN THE CONTROL ROOM. LOCAL MOUNTED HAND SWITCHES ARE FOR TEST PURPOSES AND ENERGIZE THEIR RESPECTIVE PUMPS ONLY.
  - THROTTLED
  - DRAINS SHOULD BE ROUTED TO REMOVABLE CONTAINERS SUCH AS 55 GAL. DRUMS ON FLOOR BELOW.
  - FOR EQUIPMENT MARKED NPXX OR ILXX SEE LIQUID POISON SYSTEM 194 X541 (FURNISHED BY G.E. CO.)
  - CLEAN-UP SYSTEM WILL BE INTERLOCKED TO PREVENT OPERATION WHEN POISON SYSTEM IS ACTUATED.
  - AN ANNUNCIATOR DROP (LIQUID POISON SYSTEM OFF NORMAL) WILL ENCOMPASS ALL ABNORMAL CONDITIONS e.g. TANK HI LVL, LOW LVL, HI TEMP, LOW TEMP, LOSS OF CURRENT CONTINUITY & ETC.
  - ELECTRIC HEATING CABLE TO BE INSTALLED FROM TANK CONNECTION TO PUMP SECTION AND FROM PUMP DISCHARGE TO SPOOL PIECE TO PREVENT PRECIPITATION BELOW 70° F.
  - FOR INSTRUMENTATION VALVE SCHEDULE SEE DWG. F45136C.
  - SYMBOLS NMP DWG. C-18000-C (EXCEPT AS NOTED):  
EV-EXPLOSIVE VALVE  
CCI-CURRENT CONTINUITY INDICATOR (LIGHT)
  - REF. DWG. G.E. 148F718
  - FLOW TRANSDUCERS 42-22 AND 42-22A MAY BE REMOVED FOR CALIBRATION AND/OR TESTING PURPOSES



NOTE: THIS DRAWING WAS CREATED USING COMPUTER AIDED DRAFTING DO NOT MAKE MANUAL CHANGES

LR NOTE: PLEASE REFER TO DRAWING LR-18000-C SHEETS 1 AND 2 FOR LR BOUNDARY DRAWING NOTES, SYMBOLS, AND ACRONYMS.

CONSTELLATION ENERGY GROUP		NINE MILE POINT NUCLEAR STATION UNIT NO. 1	
<b>REACTOR LIQUID POISON SYSTEM</b>			
<b>P &amp; I DIAGRAM</b>			
APP	APP	DES	DR
APP	DATE	SCALE	DR
REV	DATE	BY	REMARKS
0		SCP	Initial Issue
REV	DATE	BY	REMARKS
APP	MF	SCALE	NONE
DWG NO	LR-18019-C	INDEX	3-N2-S14
REV	0		

D042