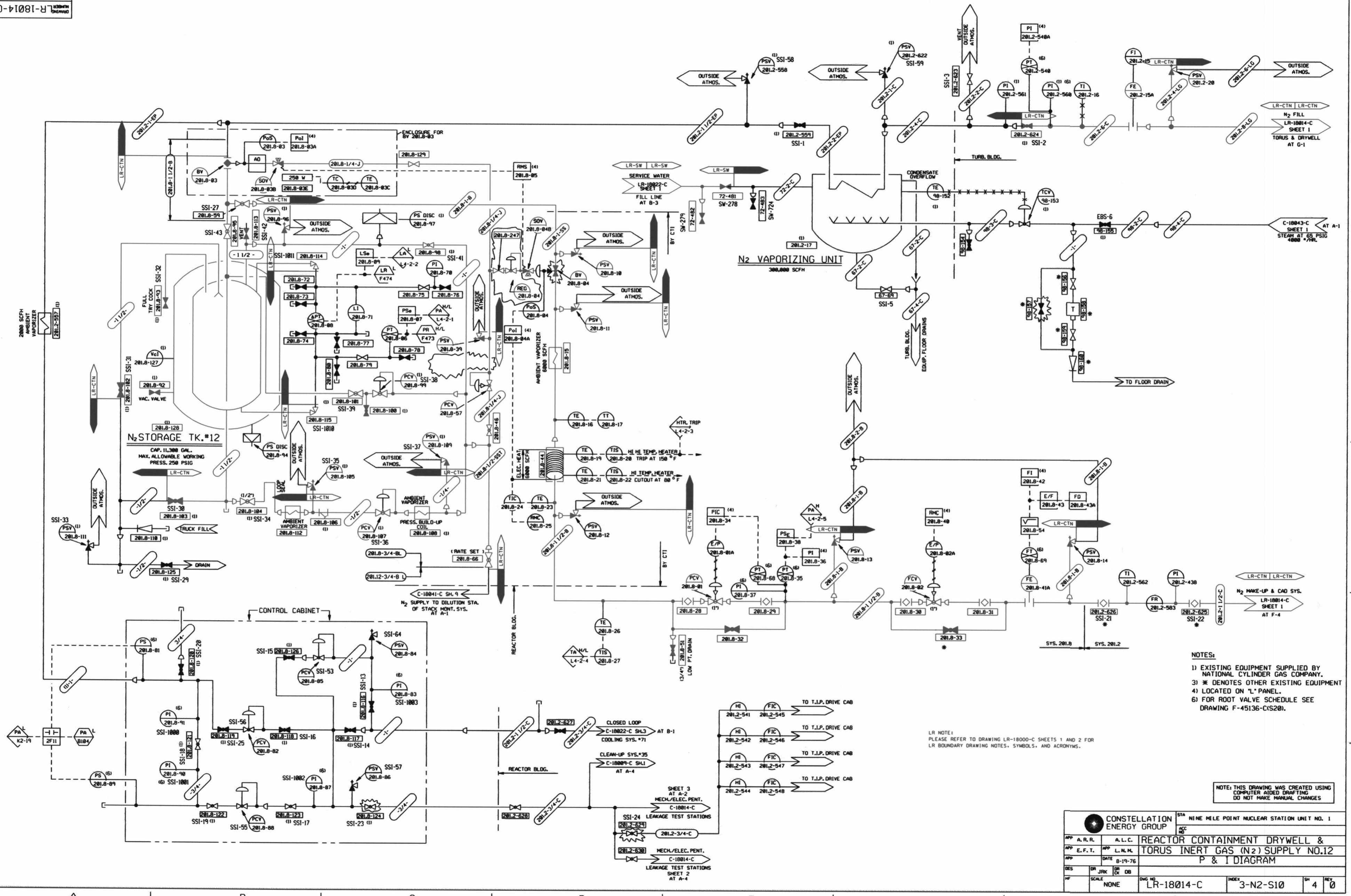


LR-18014-C
 1396
 4



- NOTES:
- 1) EXISTING EQUIPMENT SUPPLIED BY NATIONAL CYLINDER GAS COMPANY.
 - 2) * DENOTES OTHER EXISTING EQUIPMENT
 - 3) † LOCATED ON "L" PANEL.
 - 4) FOR ROOT VALVE SCHEDULE SEE DRAWING F-45136-C(S20).

LR NOTE: PLEASE REFER TO DRAWING LR-18000-C SHEETS 1 AND 2 FOR LR BOUNDARY DRAWING NOTES, SYMBOLS, AND ACRONYMS.

NOTE: THIS DRAWING WAS CREATED USING COMPUTER AIDED DRAFTING DO NOT MAKE MANUAL CHANGES

CONSTITUTION ENERGY GROUP		NINE MILE POINT NUCLEAR STATION UNIT NO. 1	
APP. A. R. R.	A. L. C.	REACTOR CONTAINMENT DRYWELL & TORUS INERT GAS (N ₂) SUPPLY NO.12	
APP. E. F. T.	APP. L. N. M.	P & I DIAGRAM	
DES.	DATE	8-19-76	
DR. J. R. K.	DR. C. B.		
SCALE	DWG. NO.	INDEX	REV.
NONE	LR-18014-C	3-N2-S10	4 0

D032