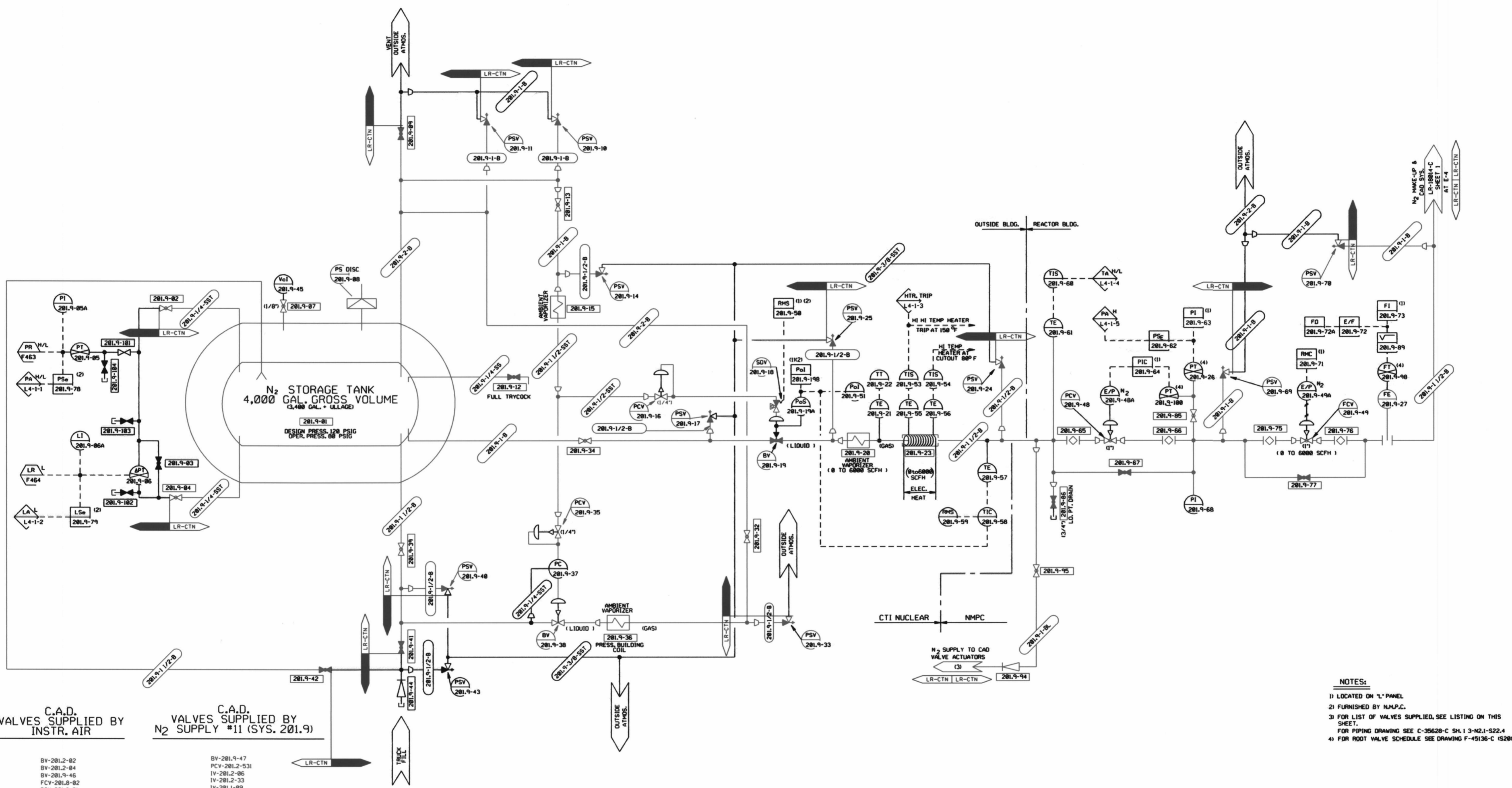


LR-18014-0



C.A.D. VALVES SUPPLIED BY INSTR. AIR

C.A.D. VALVES SUPPLIED BY N₂ SUPPLY #11 (SYS. 201.9)

- BV-201.2-02
- BV-201.2-04
- BV-201.9-46
- FCV-201.8-02
- PCV-201.8-01
- IV-201.2-109
- IV-201.2-111
- IV-201.2-112
- IV-201.7-03
- IV-201.7-04
- IV-201.7-10
- IV-201.7-11
- IV-201.7-01
- IV-201.7-02
- IV-201.2-32
- IV-201.2-03
- IV-201.2-32
- IV-201.2-110
- IV-201.16

- BV-201.9-47
- PCV-201.2-531
- IV-201.2-06
- IV-201.2-33
- IV-201.1-09
- IV-201.1-11
- FCV-201.9-49
- PCV-201.9-48

- NOTES:
- 1) LOCATED ON "L" PANEL
 - 2) FURNISHED BY N.M.P.C.
 - 3) FOR LIST OF VALVES SUPPLIED, SEE LISTING ON THIS SHEET.
 - 4) FOR PIPING DRAWING SEE C-35620-C SH. 1 3-N2-1-522.4
 - 5) FOR ROOT VALVE SCHEDULE SEE DRAWING F-45136-C (S20)

LR NOTE:
PLEASE REFER TO DRAWING LR-18000-C SHEETS 1 AND 2 FOR LR BOUNDARY DRAWING NOTES, SYMBOLS, AND ACRONYMS.

NOTE: THIS DRAWING WAS CREATED USING COMPUTER AIDED DRAFTING. DO NOT MAKE MANUAL CHANGES.

CONSTELLATION ENERGY GROUP		STATE MILE POINT NUCLEAR STATION UNIT NO. 1	
APP	DATE	REV	DATE
REACTOR CONTAINMENT DRYWELL & TORUS INERT GAS (N ₂) SUPPLY No. 11 P & I DIAGRAM			
SCALE	NONE	DWG NO.	LR-18014-0
REV	DATE	BY	REMARKS
0			

REV	DATE	BY	REMARKS	CK	APP	MF
0						

0031