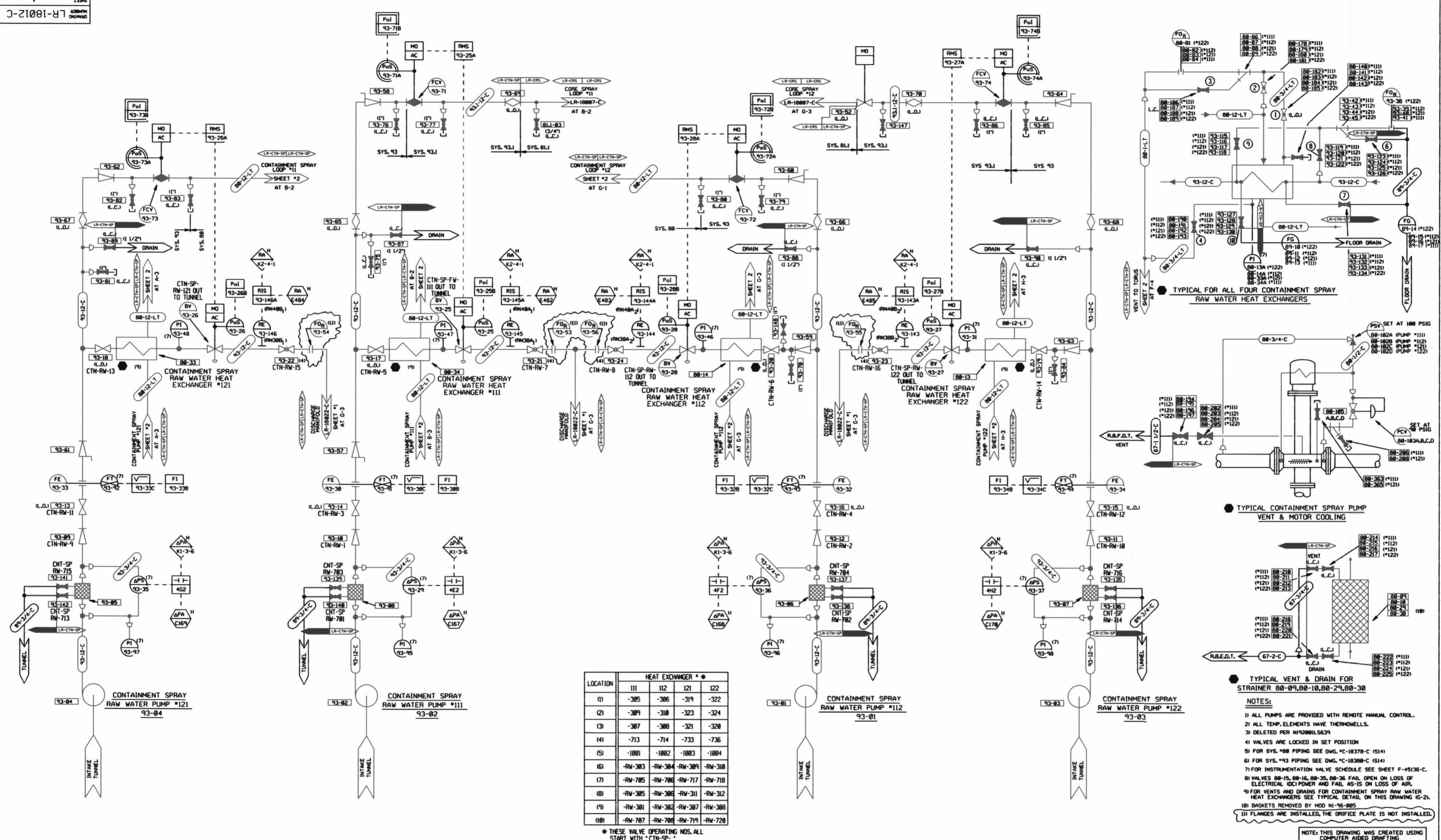


I  
LR-18012-C



LOCATION	HEAT EXCHANGER **			
	111	112	121	122
(1)	-305	-306	-319	-322
(2)	-309	-310	-323	-324
(3)	-307	-308	-321	-320
(4)	-713	-714	-733	-736
(5)	-1001	-1002	-1003	-1004
(6)	-RW-303	-RW-304	-RW-309	-RW-310
(7)	-RW-705	-RW-706	-RW-717	-RW-718
(8)	-RW-305	-RW-306	-RW-311	-RW-312
(9)	-RW-301	-RW-302	-RW-307	-RW-308
(10)	-RW-707	-RW-708	-RW-719	-RW-720

\*\* THESE VALVE OPERATING NOS. ALL START WITH "CTN-SP"

TYPICAL FOR ALL FOUR CONTAINMENT SPRAY RAW WATER HEAT EXCHANGERS

TYPICAL CONTAINMENT SPRAY VENT & MOTOR COOLING

TYPICAL VENT & DRAIN FOR STRAINER 80-09,80-10,80-29,80-30

- NOTES:
- 1) ALL PUMPS ARE PROVIDED WITH REMOTE MANUAL CONTROL.
  - 2) ALL TEMP. ELEMENTS HAVE THERMOWELLS.
  - 3) DELETED PER N1920015639
  - 4) VALVES ARE LOCKED IN SET POSITION
  - 5) FOR SYS. #80 PIPING SEE DWG. "C-10378-C (514)
  - 6) FOR SYS. #93 PIPING SEE DWG. "C-10308-C (514)
  - 7) FOR INSTRUMENTATION VALVE SCHEDULE SEE SHEET F-45136-C.
  - 8) VALVES 80-15, 80-16, 80-25, 80-36 FAIL OPEN ON LOSS OF ELECTRICAL (DC) POWER AND FAIL AS-IS ON LOSS OF AIR.
  - 9) FOR VENTS AND DRAINS FOR CONTAINMENT SPRAY RAW WATER HEAT EXCHANGERS SEE TYPICAL DETAIL ON THIS DRAWING (G-2).
  - 10) BASKETS REMOVED BY MOD N1-96-005
  - 11) FLANGES ARE INSTALLED, THE ORIFICE PLATE IS NOT INSTALLED.

NOTE: THIS DRAWING WAS CREATED USING COMPUTER AIDED DRAFTING DO NOT MAKE MANUAL CHANGES

LR NOTE: PLEASE REFER TO DRAWING LR-18000-C SHEETS 1 AND 2 FOR LR BOUNDARY DRAWING NOTES, SYMBOLS, AND ACRONYMS.

CONSTELLATION ENERGY GROUP		NINE MILE POINT NUCLEAR STATION UNIT NO. 1	
REACTOR CONTAINMENT			
SPRAY RAW WATER SYSTEM			
P & I DIAGRAM			
APP	APP	DATE	REV
DES	DR	OR	CC
SCALE	DWG NO	INDEX	SH
NONE	LR-18012-C	3-N2-S14	1 0

Doz 6