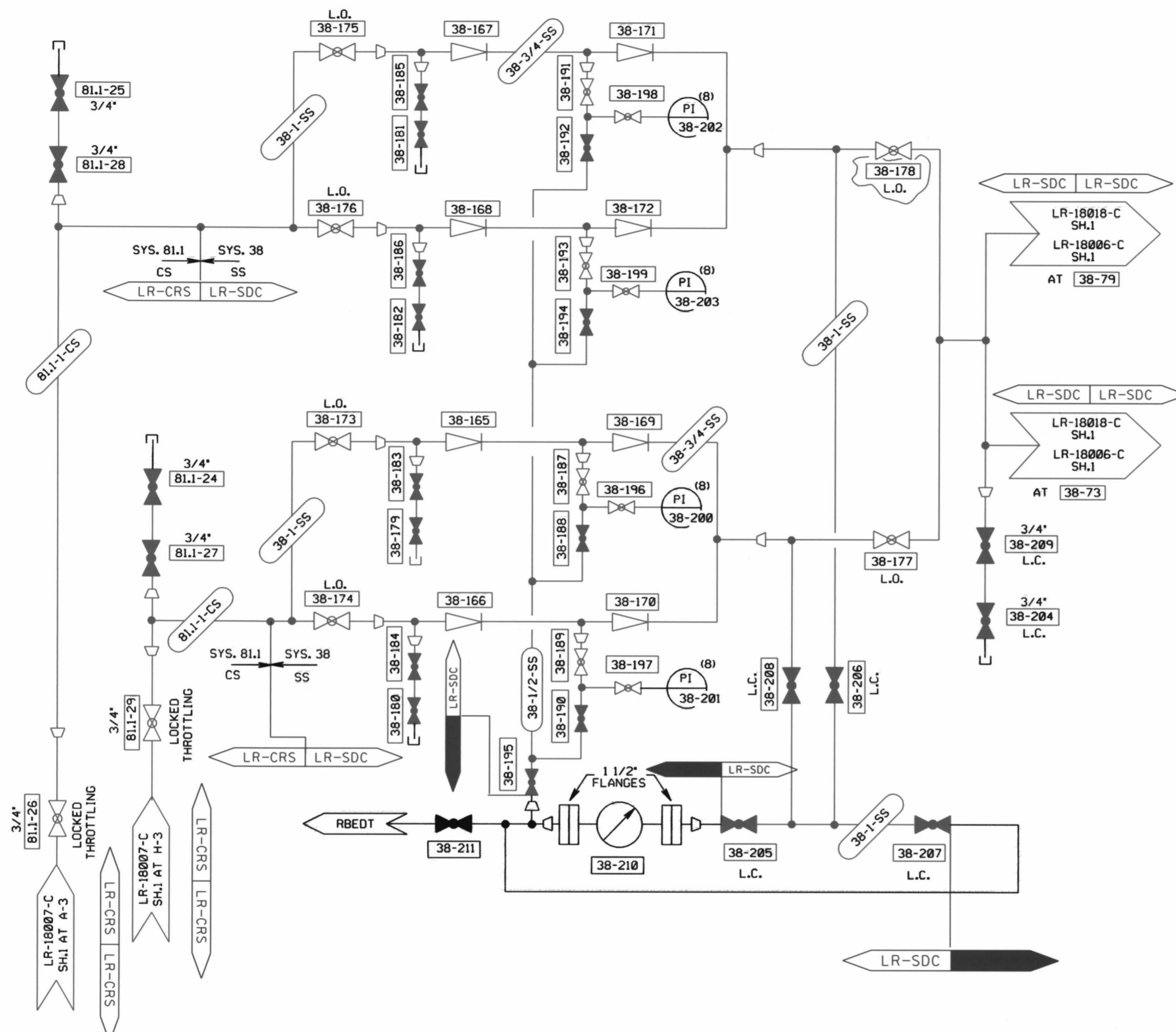


2  
DRAWING NO. LR-18007-C  
SHEET 1 OF 2



FOR GENERAL NOTES SEE SHEET 1

LR NOTE:  
PLEASE REFER TO DRAWING LR-18000-C SHEETS 1 AND 2 FOR  
LR BOUNDARY DRAWING NOTES, SYMBOLS, AND ACRONYMS.

NOTE: THIS DRAWING WAS CREATED USING  
COMPUTER AIDED DRAFTING  
DO NOT MAKE MANUAL CHANGES

CONSTITUTION ENERGY GROUP		STA NINE MILE POINT NUCLEAR STATION UNIT NO. 1	
APP	APP	REACTOR CORE SPRAY	
APP	DATE	P & I DIAGRAM	
DES	DR	DWG NO	INDEX
DF	SCALE	LR-18007-C	3-N2.1-S14
			2
			0

DO14