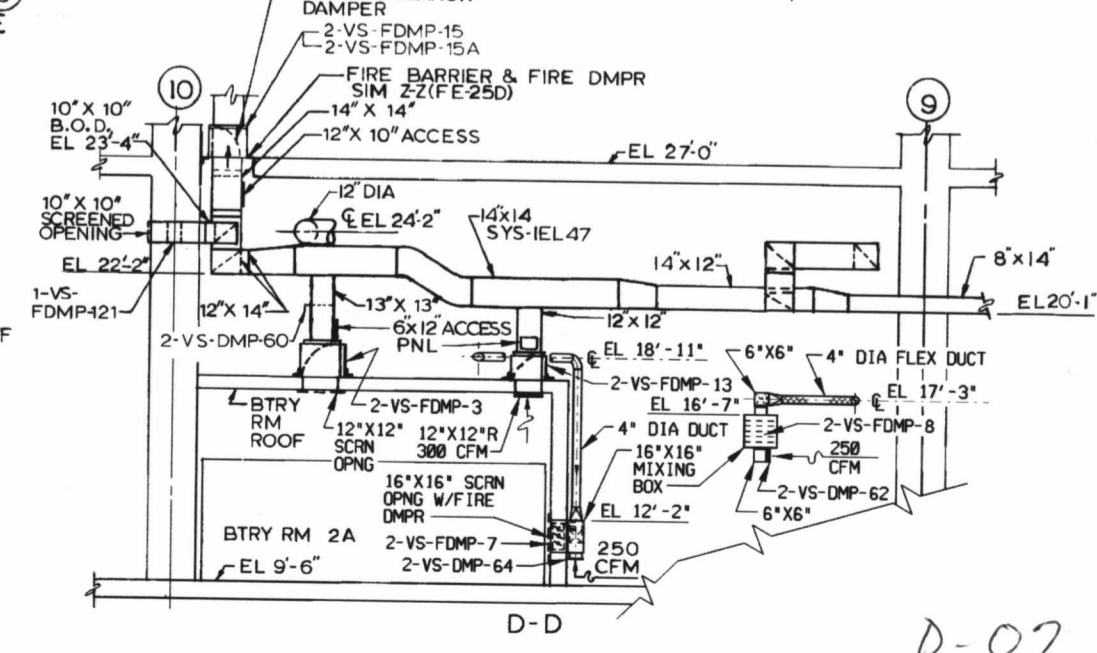
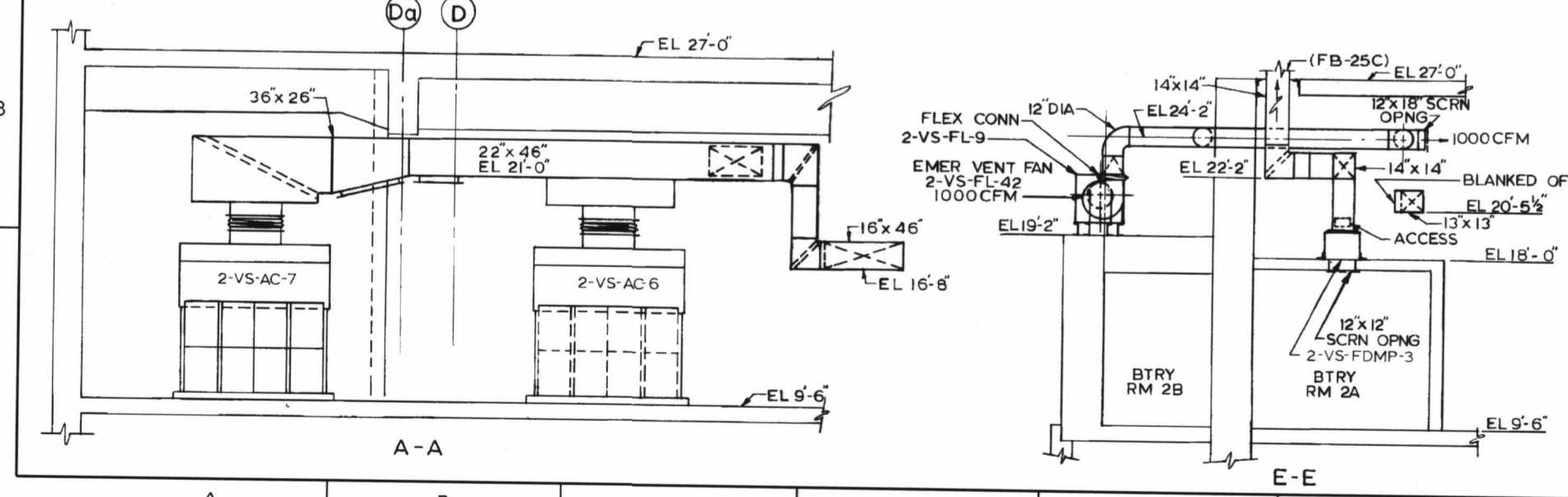
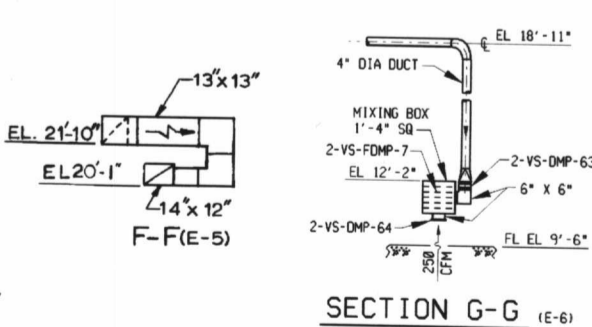


PLAN - SWITCHGEAR & RELAY RM EL 9'-6"
UNIT 2



- NOTES:
1. NOT USED.
 2. GENERAL NOTES & LEGEND FB-25A
 3. ALL AIR CONDITIONING SUPPLY DUCTWORK TO HAVE 1/2" ACOUSTIC LINING ON INSIDE.
 4. ALL DUCT DIMENSIONS INDICATED ARE CLEAR INSIDE DIMENSIONS.
 5. SYSTEM NUMBERS - SPECIFICATIONS
 6. FOR DSA003 SEE DWG 12B46.40 BZ505A.1 TO B.
 7. FD = FIRE DAMPER
 8. ALL 'EL' ARE MEASURED FROM THE BOTTOM OF THE VENT UNLESS OTHERWISE NOTED.
 9. SEISMIC ANCHORAGE REF FB-25B DET A.



<p>VIRGINIA POWER NORTH CAROLINA POWER NUCLEAR ENGINEERING SERVICES RICHMOND, VIRGINIA</p>		<p>VENTILATION & AIR CONDITIONING SERVICE BUILDING - EL 9'-6" SURRY POWER STATION - UNIT 1</p>	
		<p>REVISION DESCRIPTION REVISED PER ENGINEERING REVIEW (DCR 01-2200)</p>	<p>CAD NO: C:\usr\adgn\25E\HQBh1 DRAWING NO: 11448-FB-25E</p>
<p>DSGN EES</p>	<p>SCALE: 1/4" = 1'-0"</p>	<p>UNLESS OTHERWISE NOTED</p>	<p>PC-SEF & SPL</p>

VERIFY print 24 hrs after 8:29:10 AM 05/06/2004