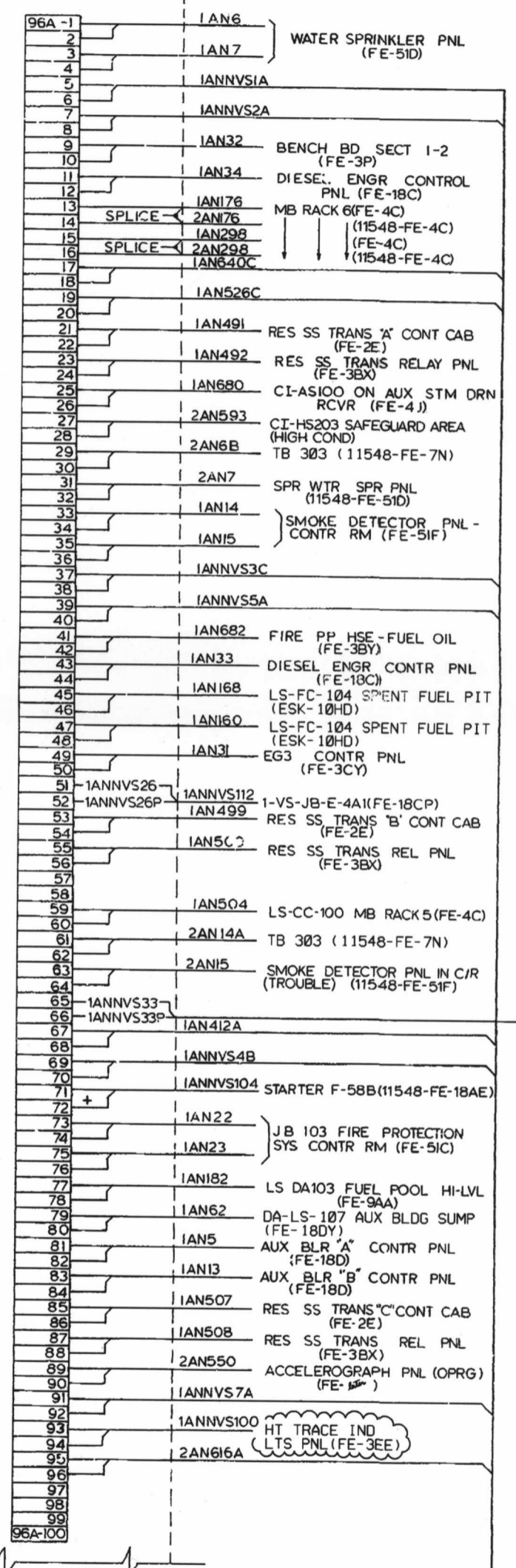
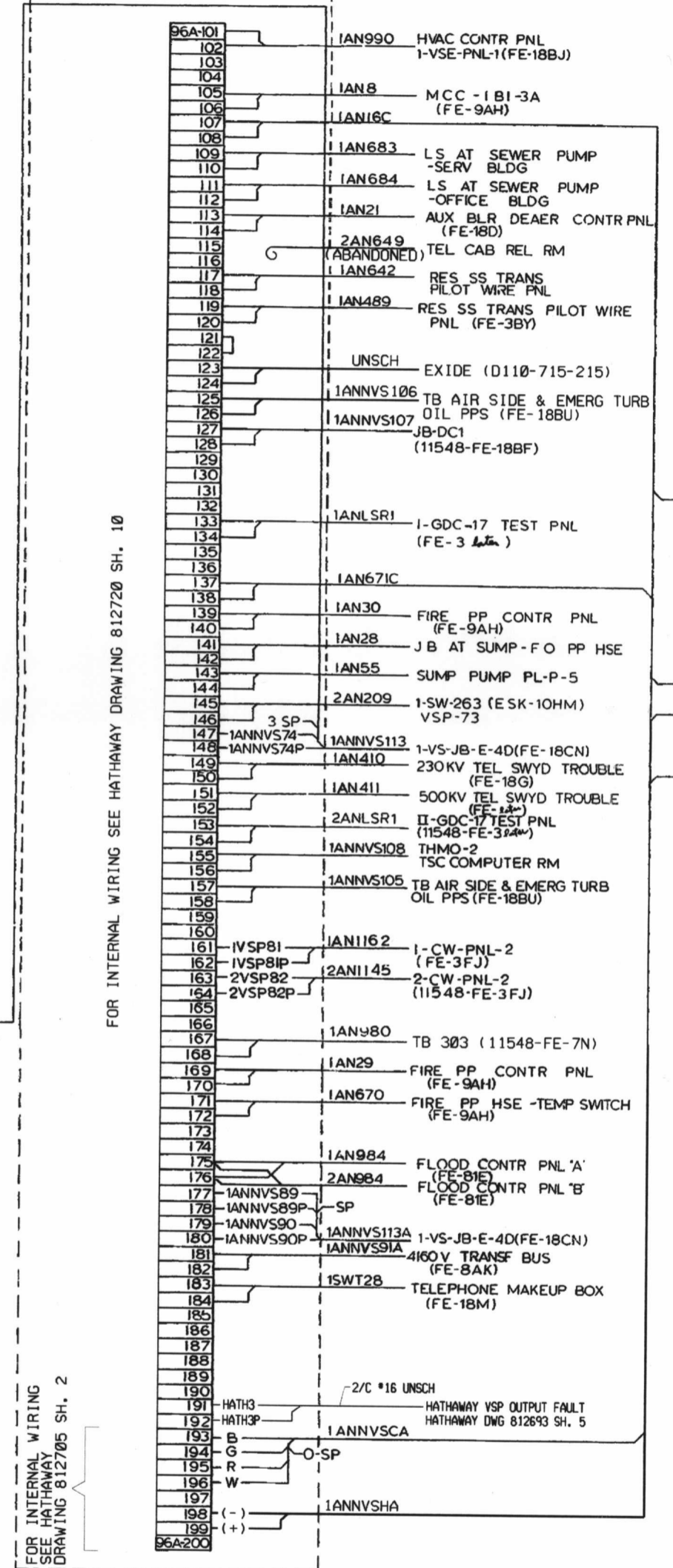


TB-301



FOR INTERNAL WIRING SEE HATHAWAY DRAWING 812720 SH. 10

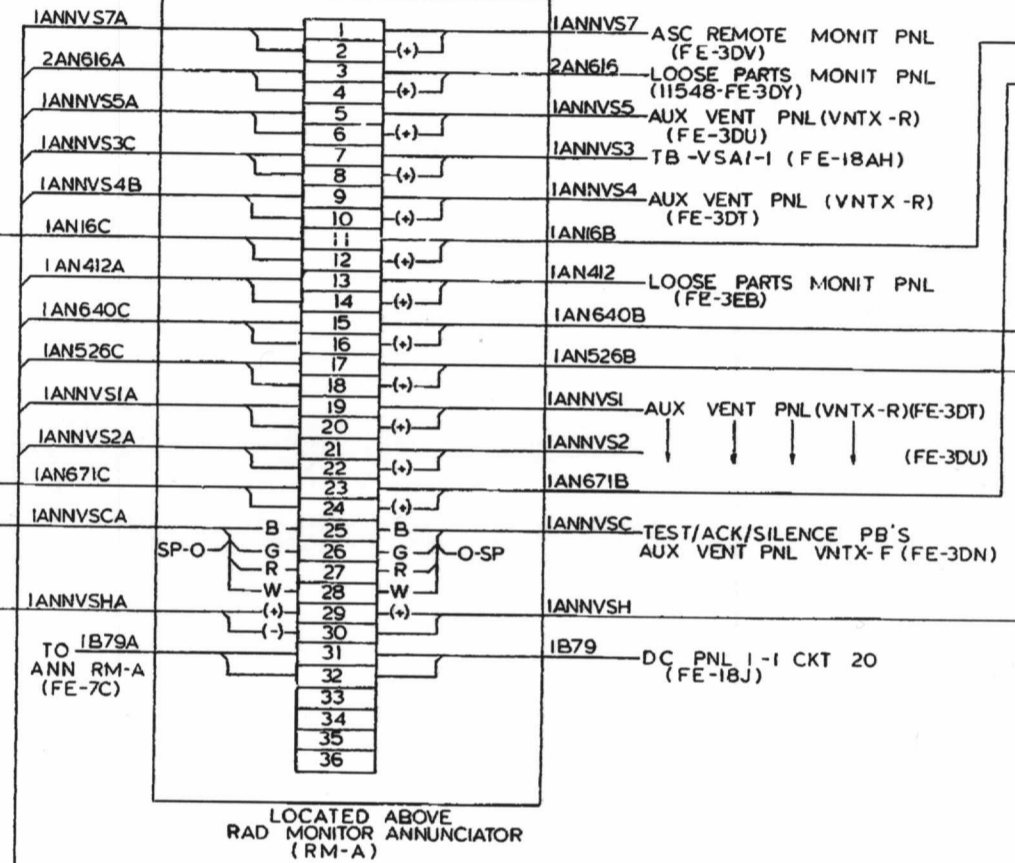


FOR INTERNAL WIRING SEE HATHAWAY DRAWING 812720 SH. 10

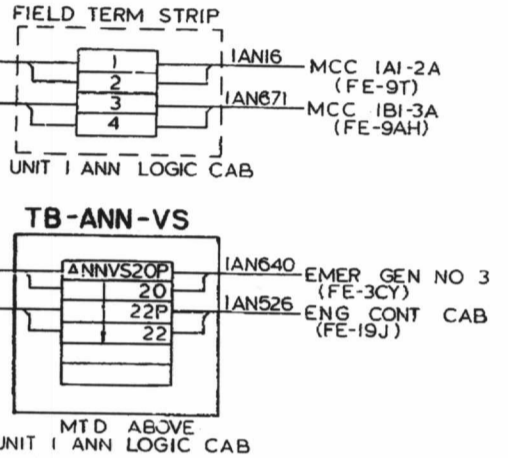
FOR INTERNAL WIRING SEE HATHAWAY DRAWING 812705 SH. 2

LOCATED IN UNIT 1 EVENT RCDR RACK 2

TB-302



LOCATED ABOVE RAD MONITOR ANNUCIATOR (RM-A)



- NOTES:
 1. NOT USED.
 2. NOT USED.
 3. ALL EVEN NUMBERED TERMINALS ON TB-301 ARE POSITIVE (+) UNLESS OTHERWISE NOTED.

D-02

		NUCLEAR ENGINEERING RICHMOND, VIRGINIA	
WIRING DIAGRAM ANNUNCIATOR (ANN-VSP) SURRY POWER STATION - UNIT 1			
REVISION DESCRIPTION (DCR 04-0148)	CAD NO: C:\usr\adgn\78HYBz.v1	DRAWING NO: 11448-FE-7B	REV 21
DSGN OWR	SCALE: NONE	UNLESS OTHERWISE NOTED	SH 1 OF 1

VERIFY print 24 hrs after 8:32:48 AM 05/06/2004