



September 18, 2003

Our file: 60-12
Your file:

Dr. John J. Jankovich
Seal Source and Device Team Leader
Mail Stop: T-8F5
United States Nuclear Regulatory Commission
Two White Flint North
11545 Rockville Pike
Rockville, MD
20852-2738

**RE: Source Holder for the Gammacell 3000 Packages
Registry of Radioactive Devices Number NR-0220-D-102-S**

Dear Dr. Jankovich:

I am writing to request the addition of a new source holder design found on the attached drawing number C103203-213 and C103203-214 for use in the Gammacell 3000. Please note that the new source holder will be used, as an alternate to the existing source holder, which will continue on being used in the Gammacell 3000 depending on the customer needs. The new source holder for the Gammacell 3000 has been modified to improve the dose distribution inside the sample canister. The source holder is fixed inside the Gammacell 3000 in the same fashion as before.

Please note that MDS Nordion intends to start engraving the C-1001 and C-3001 source with "MDSN" instead of "NII". As the current inventory of C-1001 and C-3001 and the existing sources in the field are engraved with "NII", MDS Nordion is requesting that the registration certificate be modified to allow either "NII" or "MDSN" to be engraved on the C-1001 and C-3001.

In addition, there is a mistake on the registration certificate the isotope engraved is shown as being a "5" when it should be "s" for Cs137. Please find below the corrected example for page 7.

For the C-1000
NII
Cs137B
XXXX (Serial Number)
Radiation Symbol
or
Radioactive

For the C-3000
NII
Cs137C
XXXX (Serial Number)
Radiation Symbol
or
Radioactive

For the C-1001
NII or MDSN
Cs137E
C1001
XXXX (Serial Number)
Radioactive

For the C-3001
NII or MDSN
Cs137F
C3001
XXXX (Serial Number)
Radioactive

If you have any questions or require further information please feel free to contact me by telephone at (613) 592-3400 extension 2421 or by email at mcharette@mds.nordion.com.

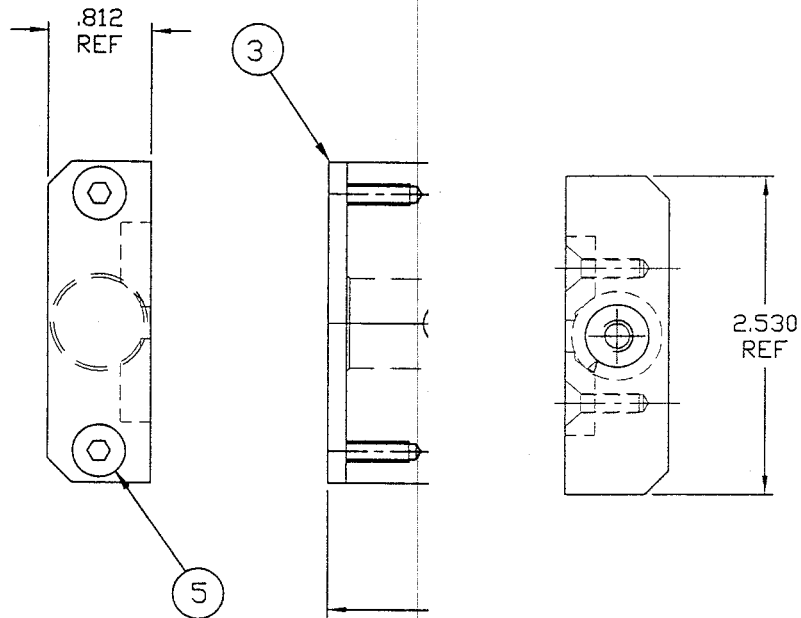
Yours sincerely



Marc-André Charette
Regulatory Affairs Senior Associate

Attachments: C103203-213 Issue 4, C103203-214 Issue 3

Copy to: Mike Krzaniak, Blair Menna, Dariusz Mroz, Colette Pigeon, MDS Nordion



NOTES:

1. ENSURE THAT ITEMS WILL NOT CREATE IN INSERTED INTO SOUR RADIATION FIELD.

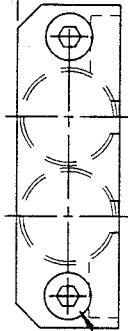
2 LG
3 LG

(E HOLDER)
NG (1 POS' N)

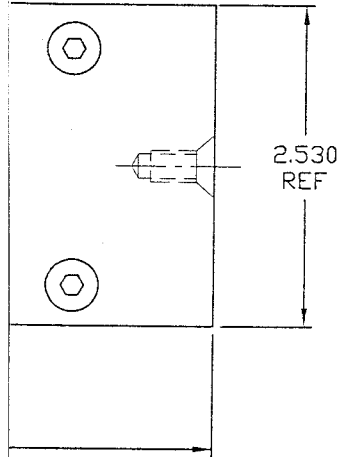


APPV. PROJ.	TITLE C-3000 - 1 POSITION SOURCE HOLDER BODY ASSEMBLY	
SIZE C	DWG NO. C103203-213	ISSUE 4
SCALE 1:1	SHEET 1 OF 1	

.812
REF



5



NOTES:

1. ENSURE THAT ITEMS 1
DO NOT CREATE INTER
INSERTED INTO SOURCE HOLDER
RADIATION SHIELD ASIG

.50 L

.63 L

MDS Nordion

APPV.
PROJ

TITLE

**C-3000 - 2 POSITION
SOURCE HOLDER BODY
ASSEMBLY**

SIZE

DWG NO.

ISSUE

C

C103203-214

3

SCALE

1:1

SHEET 1 OF 1