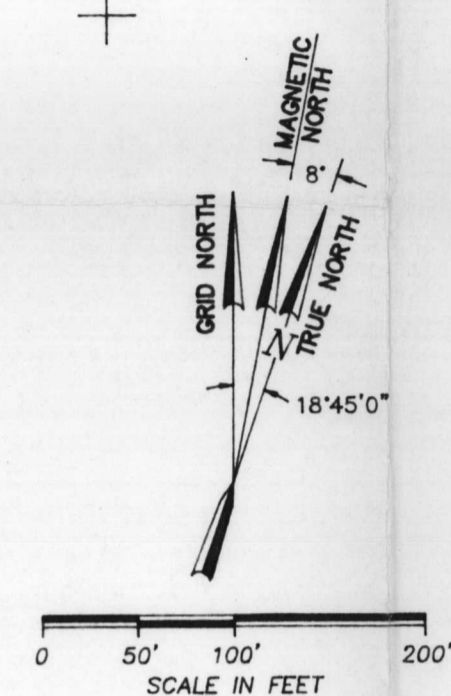
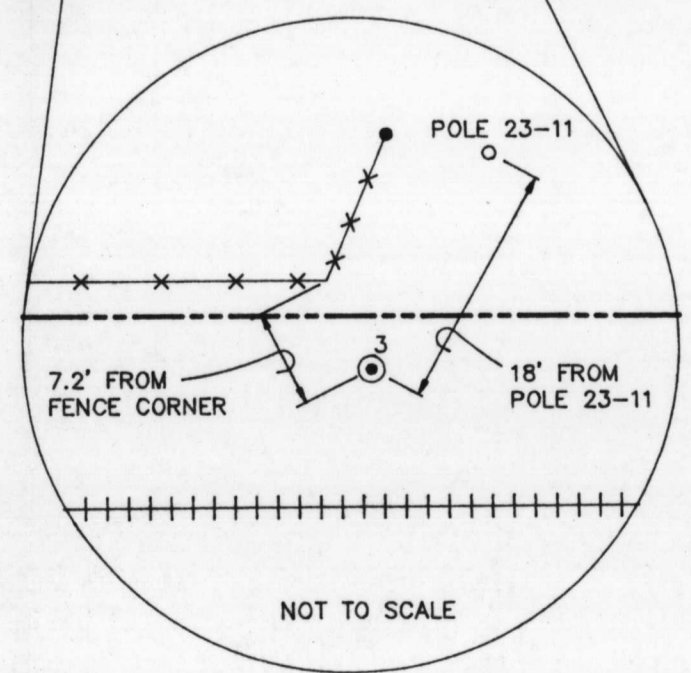
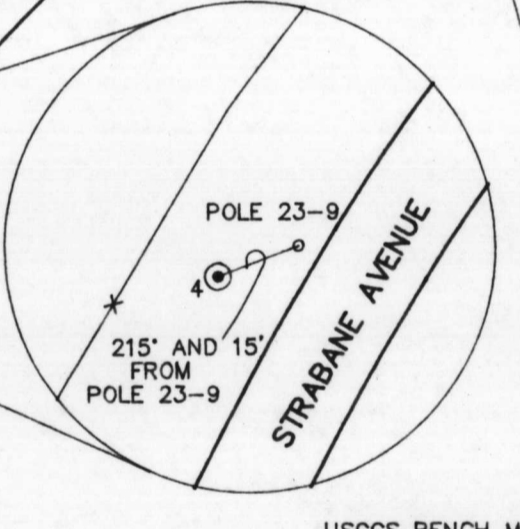


- NOTES:**
- EXISTING CONDITIONS BASED ON DWG. CAN-PS-10-0011, AS BUILT.
  - USCGS BENCH MARK NO. K-252-1960 EL. 952.43 IS LOCATED ON THE CONRAIL RAILROAD BRIDGE ABUTMENT APPROXIMATELY 544 FEET EAST OF STRABANE AVENUE.
  - LOCATIONS AND COORDINATES OF SURVEY MONUMENTS, SITE MARKERS, BOUNDARY MONUMENTS, EROSION CONTROL MARKERS, AND MONITOR WELLS ARE BASED ON MOUNTS ENGINEERING DRAWING NO. 860929 SURVEY FOR MK FERGUSON CONTRACT NO. CAN 86-01, REVISED NOVEMBER 28, 1986.
  - THIS DRAWING IS BASED ON DRAWING NUMBER CAN-PS-10-0039 OF THE CANONSBURG SITE, CANONSBURG PENNSYLVANIA. THE ORIGINAL DRAWING WAS PRODUCED BY THE U.S. DEPARTMENT OF ENERGY ALBUQUERQUE OPERATIONS OFFICE.
  - LOCATIONS OF BUILDINGS ARE APPROXIMATE.



- EXPLANATION**
- [P 3] PERIMETER SIGN AND NUMBER
  - 1 SURVEY MONUMENT AND NUMBER
  - 406 MONITOR WELL (SHALLOW) AND NUMBER
  - 505 MONITOR WELL (DEEP) AND NUMBER
  - 3 EROSION CONTROL MARKER AND NUMBER
  - 2 BOUNDARY MONUMENT AND NUMBER
  - 1 SITE MARKER AND NUMBER
  - 12 PHOTOGRAPH LOCATION AND NUMBER
  - PROPERTY BOUNDARY
  - \*- SECURITY FENCE
  - BURIED RIPRAP WALL
  - ++++ CONRAIL RAILROAD
  - DRAINAGE AND DIRECTION



SI APERTURE CARD

1991 PRELICENSING INSPECTION  
CANONSBURG, PENNSYLVANIA, DISPOSAL SITE  
CONDUCTED SEPTEMBER 24 AND 25, 1991

9301210316

NO.	DATE	REVISIONS	DWN.	CKD.	SUB.	NO.	DATE	REVISIONS	DWN.	CKD.	SUB.
U.S. DEPARTMENT OF ENERGY GRAND JUNCTION PROJECTS OFFICE, COLORADO											
<b>PLATE 1</b> <b>CANONSBURG, PENNSYLVANIA INSPECTION DRAWING</b> <b>1991 PRELICENSING INSPECTION</b>											
DRAWN: CSW CHECKED: CSW REVIEWED: MPP						DATE: 8/5/91 DATE: 9/30/91 DATE: 8/24/91					
CN Geotech, Inc.						PROJECT NO. ENG-111-0009-00-000 DWG. NO. E0090800					
										SHT. 1 OF 1	