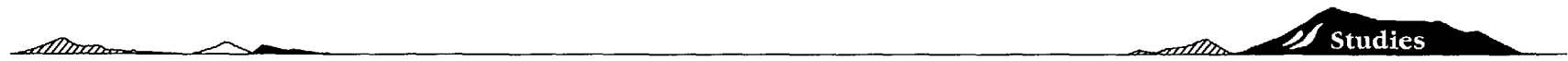


YUCCA
MOUNTAIN
PROJECT



Overview of Major Site Recommendations, Environmental Impact Statements, and License Application Milestones and Schedule

Presented to:
DOE/NRC Technical Exchange on Total System
Performance Assessment
San Antonio, Texas

Presented by:
Abraham Van Luik
Senior Technical Advisor for Performance Assessment
Office of Licensing and Regulatory Compliance
U.S. Department of Energy



U.S. Department of Energy
Office of Civilian Radioactive
Waste Management

May 25-27, 1999

Legacy/ma...

Objectives of DOE TSPA-Related Presentations (27 May 1999)

- **Discuss the TSPA in the context of the overall SR/LA plan**
- **Present general information on the driving forces, planned technical content, and schedule for TSPA SR and TSPA-LA**
- **Provide more detailed information on development of the TSPA-SR**

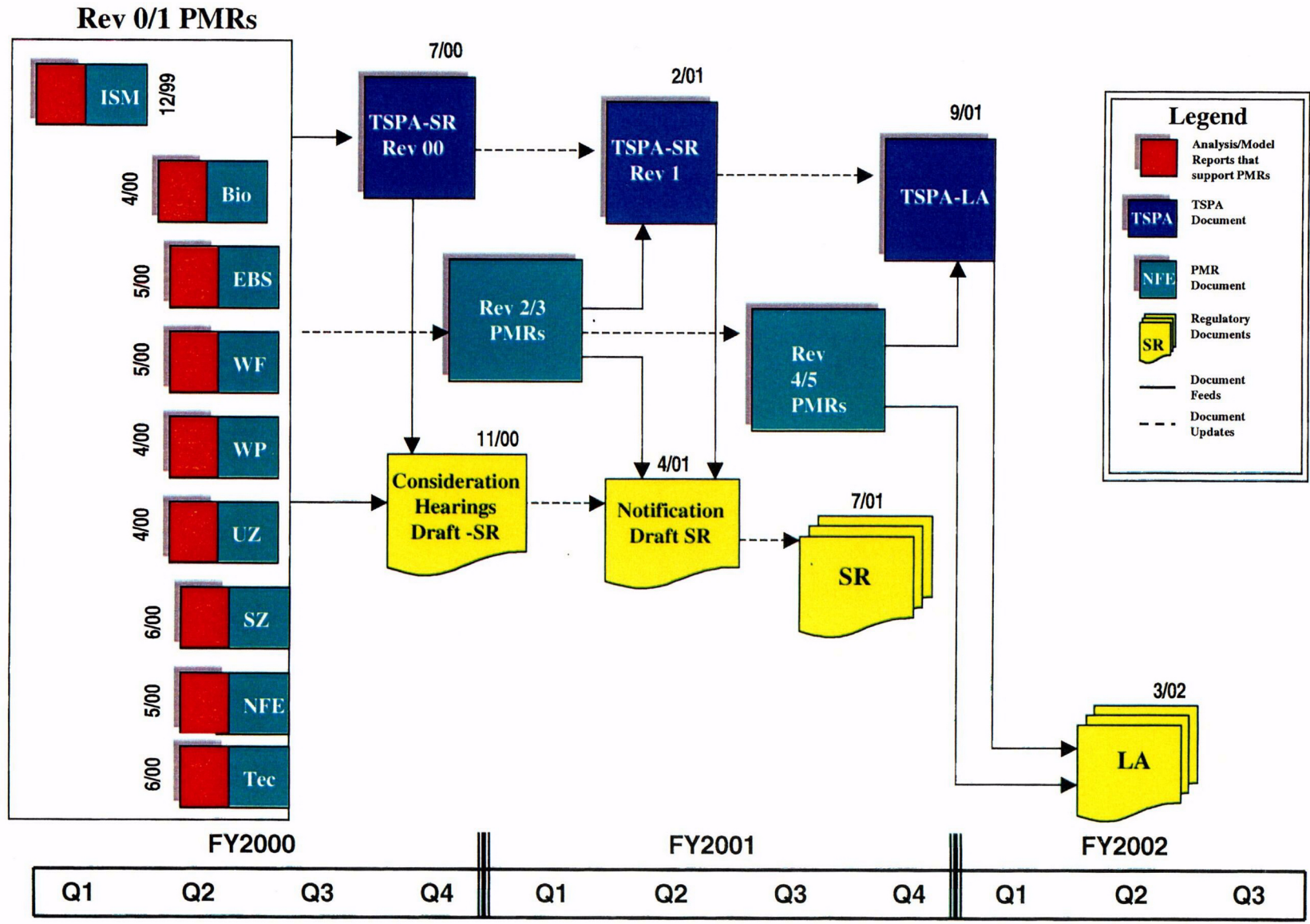
Objectives of This Presentation

- **Provide an overview of major programmatic milestones for SR, EIS, and LA**
- **Discuss the general focus and linkage of major milestones**
- **Show the schedule for delivery of the major milestones**

Major DOE Programmatic SR/LA Milestones

- **Draft Environmental Impact Statement**
- **Final Environmental Impact Statement**
- **Process Model Reports**
- **Consideration Hearing Draft SR**
- **Notification Draft SR**
- **Final Site Recommendation**
- **Draft License Application**
- **Final License Application**

Linkage of Major Programmatic SR/LA Milestones

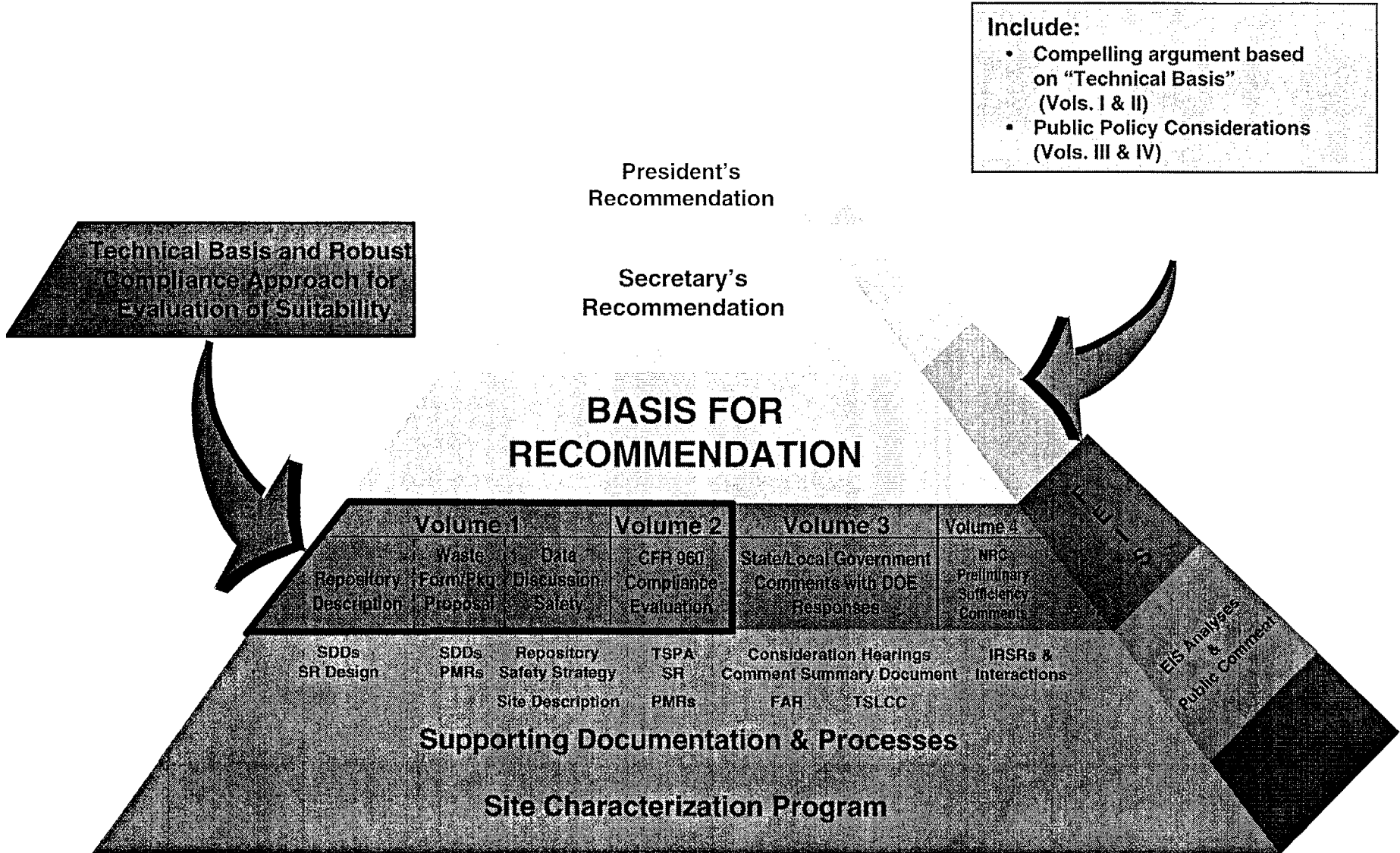


Implications of SR Schedule

- **Primary information feeds to TSPA-SR Rev. 00**
 - Must take place by August of 1999
- **Limited additional information feeds expected for TSPA-SR Rev. 01 - July of 2000**
- **A reprioritization of FY2000 work is underway assuming requested budget**
 - Possibility is high for FY2000 not being at requested level

Site Recommendation Documentation Structure*

- Include:**
- Compelling argument based on "Technical Basis" (Vols. I & II)
 - Public Policy Considerations (Vols. III & IV)



* Assuming the site is found to be suitable

Summary of Today's Presentations

Presenter

**Overview of Major SR, EIS, and
LA Milestones**

Abraham Van Luik

**Overview of TSPA-SR, and
TSPA-LA Strategy**

Robert Andrews

**YMP Response to NRC's
TSPAI IRSR**

Holly Dockery

**Summary of TSPA-SR Methods
and Assumptions**

Jerry McNeish

Summary of DOE Presentations

	<u>Presenter</u>
Approach to Features, Events and Processes Development and Screening for TSPA-SR	Peter Swift
Planned Updates of Natural System Model Abstractions for TSPA-SR	Mike Wilson
Planned Updates of Engineered System Model Abstractions for TSPA-SR	Dave Sevougian
Planned Updates of the TSPA-SR Model to Improve Traceability	Vinod Vallikat
Possible Approach to Evaluate Human Intrusion Requirement of Proposed Part 63	Jerry McNeish