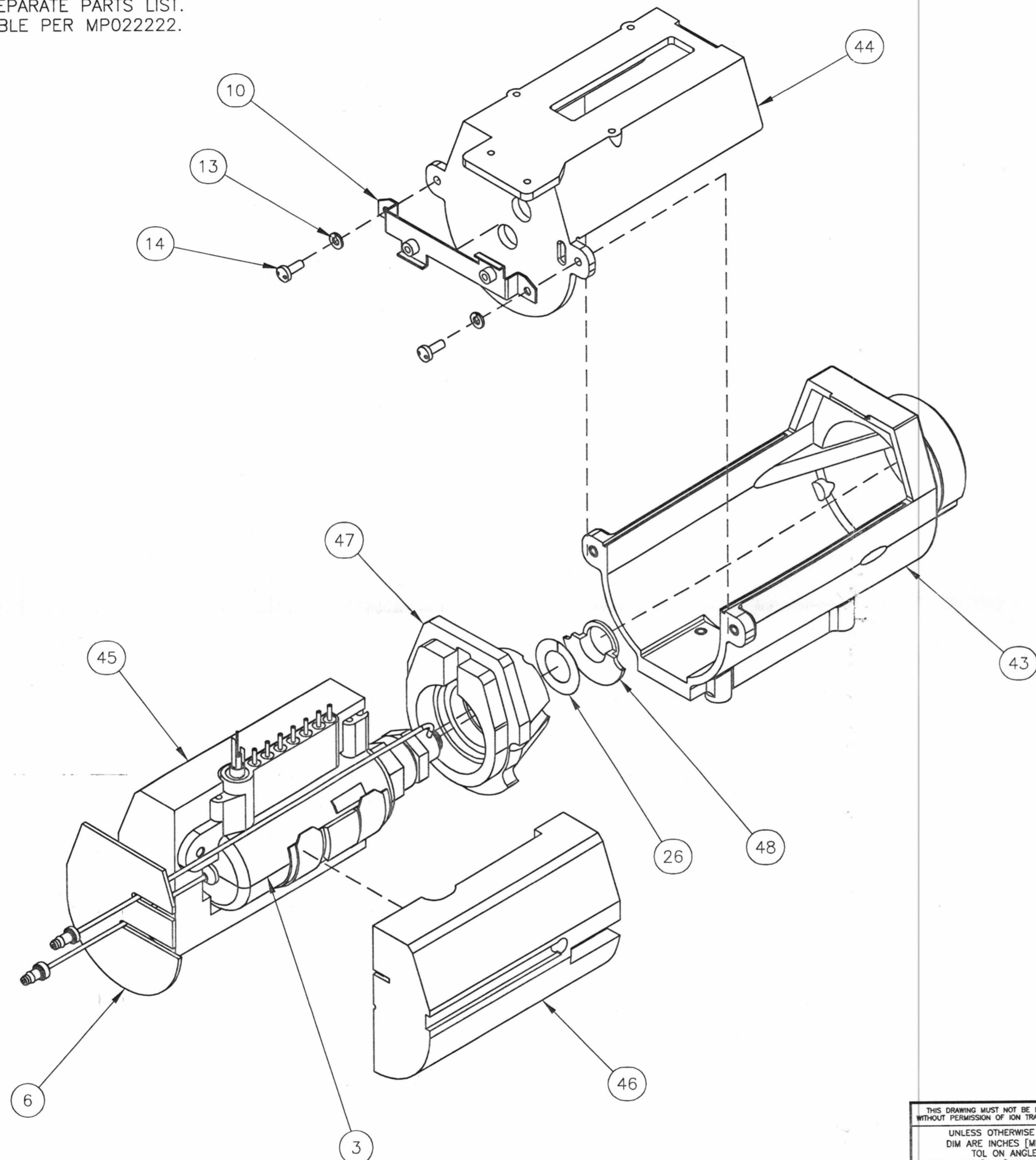


© COPYRIGHT 2000 BY ION TRACK INSTRUMENTS LLC, ALL RIGHTS RESERVED

NOTES:

1. SEE SEPARATE PARTS LIST.
2. ASSEMBLE PER MPO22222.

REVISION HISTORY				
REV	ECO	DESCRIPTION	DATE	APP'D
1	200055	RELEASE TO PRODUCTION PER ERN 188, FORMERLY M0001209 REV 7		
2	200258	REPLACE INSULATION AND ADD CENTERING RING.	10/22/2002	



<small>THIS DRAWING MUST NOT BE LOANED OR COPIED WITHOUT PERMISSION OF ION TRACK INSTRUMENTS LLC</small> <small>UNLESS OTHERWISE SPECIFIED</small> <small>DIM ARE INCHES [MILLIMETERS]</small> <small>TOL ON ANGLE ±.5°</small> <small>2 PL ±.01 [0.25] 3 PL ±.005 [0.13]</small> <small>SURFACE ROUGHNESS 32μIN [0.80μM]</small> <small>INTERPRET DIM AND TOL PER ASME Y14.5M-1994</small>		<b>ION TRACK INSTRUMENTS</b> <small>205 Lowell Street Wilmington MA 01887-2941</small> <small>978-658-3767</small>	
<small>THIRD ANGLE PROJECTION</small> 		<small>TITLE</small> <b>DETECTOR ASSEMBLY, VTEX</b>	
<small>APPROVALS</small> <small>DATE</small>		<small>SCALE</small> NONE	
<small>DRAWN BY:</small> R. CHOUINARD <small>MFG ENGR:</small> R. CHOUINARD <small>PROJ ENGR:</small> S. CROOK		<small>DATE</small> 10/22/2002 <small>DATE</small> 10/22/2002 <small>DATE</small> 10/22/2002	
<small>SIZE</small> C		<small>CAGE CODE</small> 55503 <small>DWG NO</small> MD001209 <small>REV</small> 2 <small>SHEET</small> 1 OF 2	

D-15