

Layout Of South Ring BUS

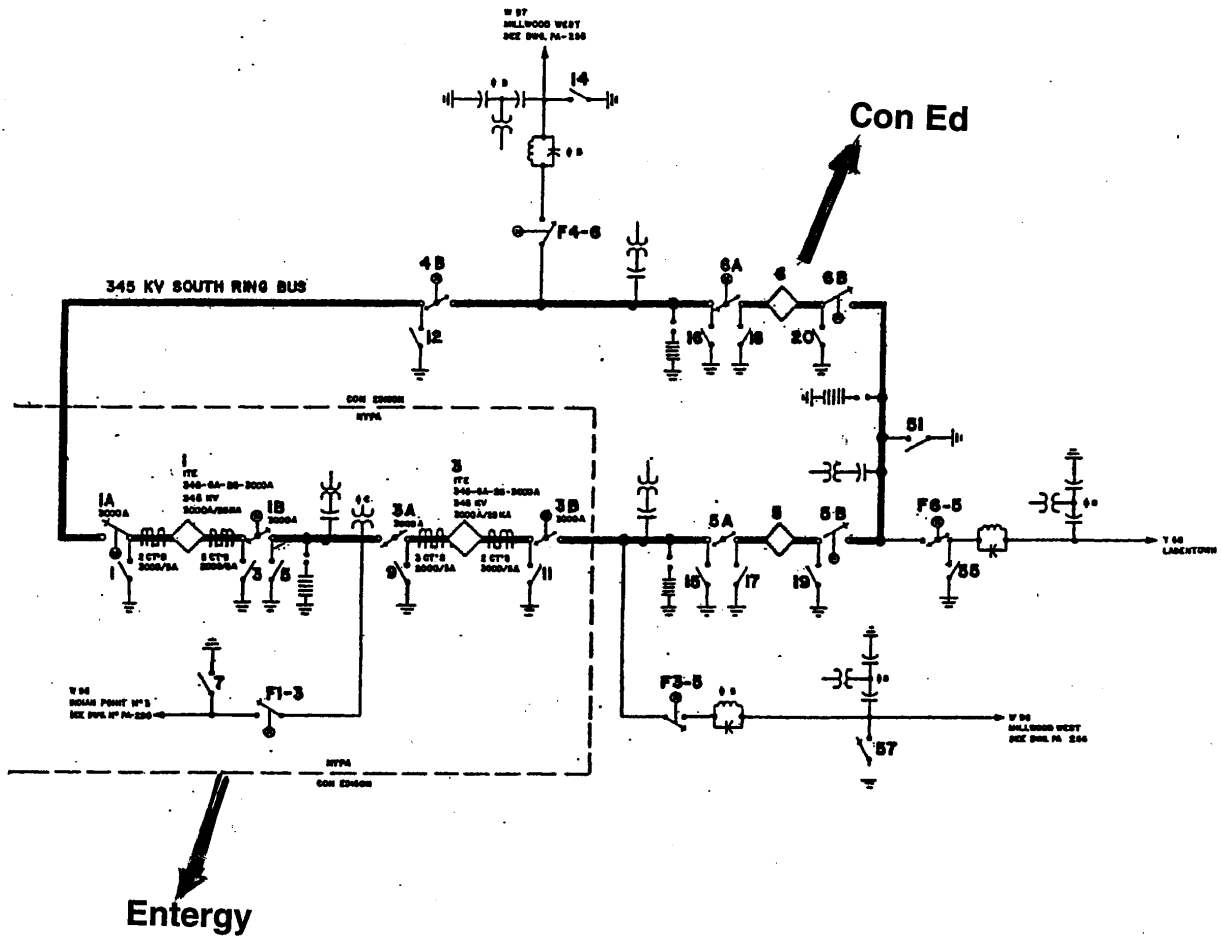


FIGURE 1

SF-6 Insulated Circuit Breaker

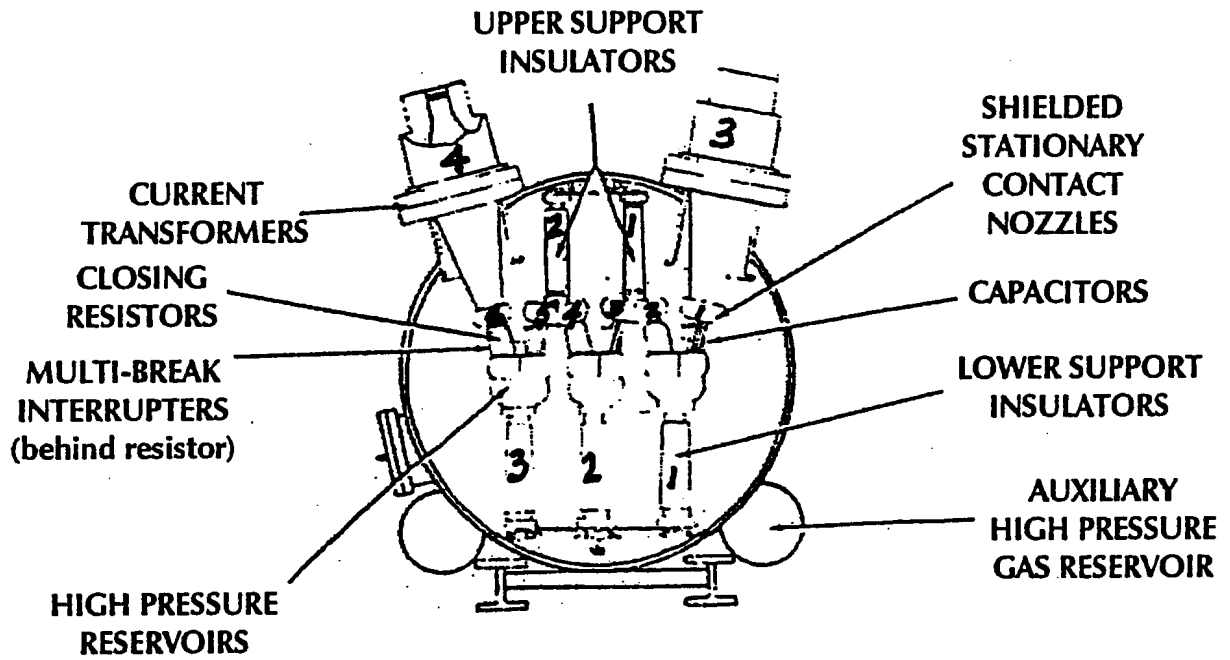


FIGURE 2
SINGLE POLE CROSS SECTION

345 kV NORTH RING BUS (Simplified)

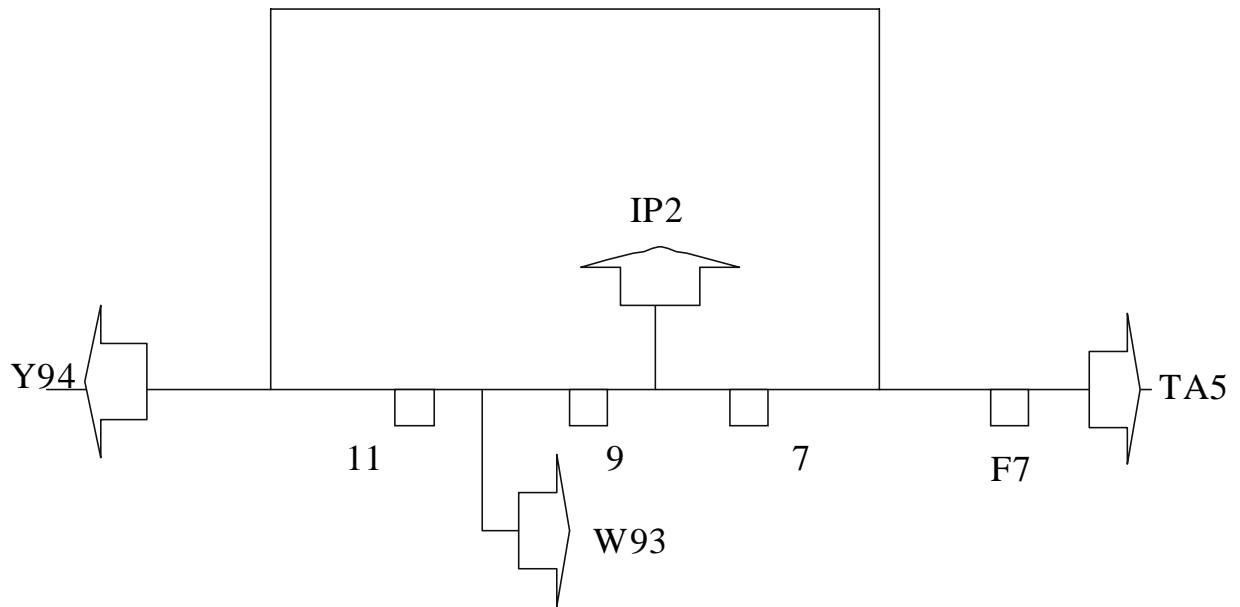


FIGURE 3