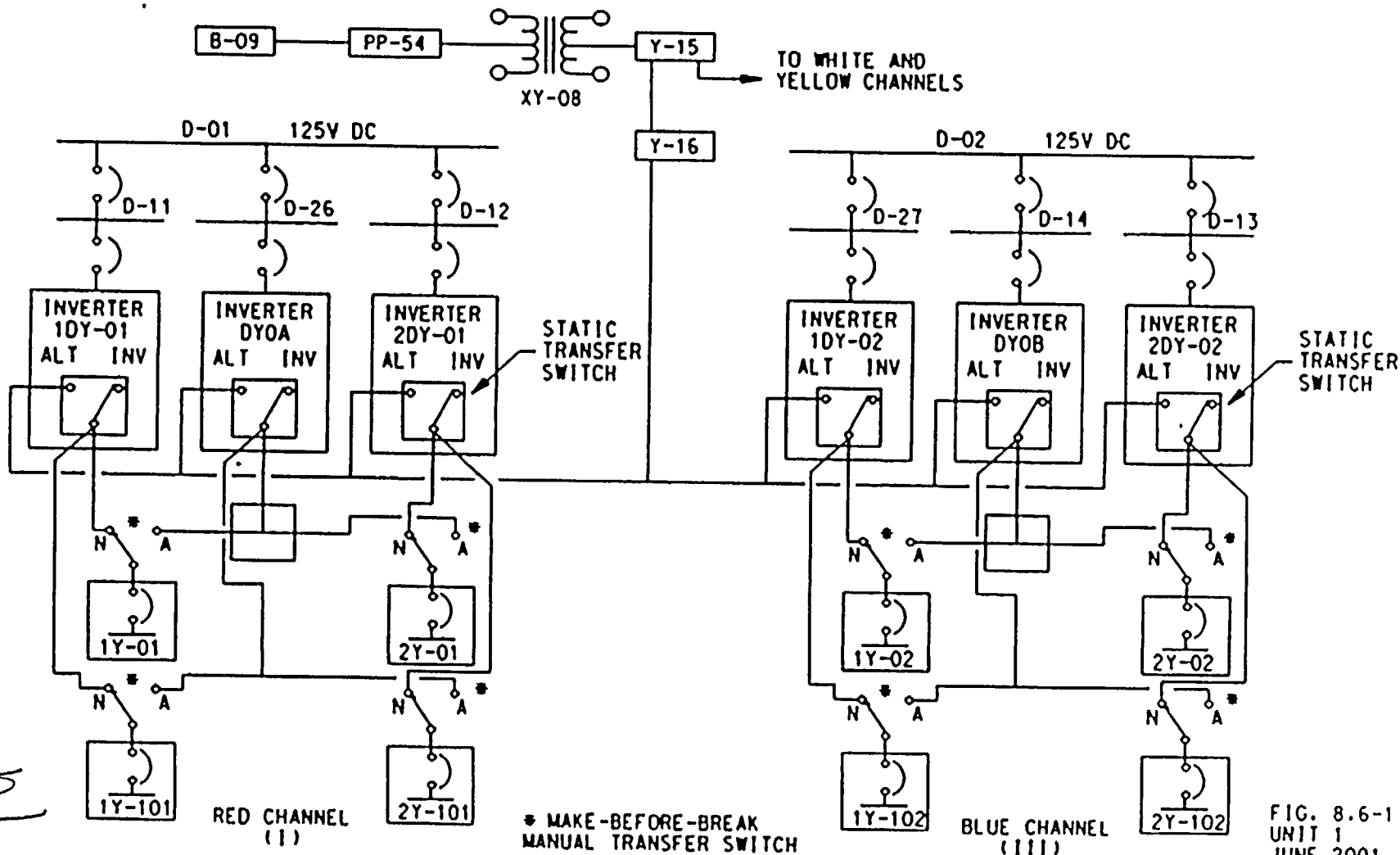


FIGURE 8.6-1

INSTRUMENT POWER
RED AND BLUE CHANNELS



Handwritten signature or initials.

FIG. 8.6-1
UNIT 1
JUNE 2001
CGS# FSART 108.6-1.DGN

FIGURE 8.6-2
INSTRUMENT POWER
WHITE AND YELLOW CHANNELS

CGS #108.6-2.DGN

FIG. 8.6-2
UNIT 1
JUNE 1999

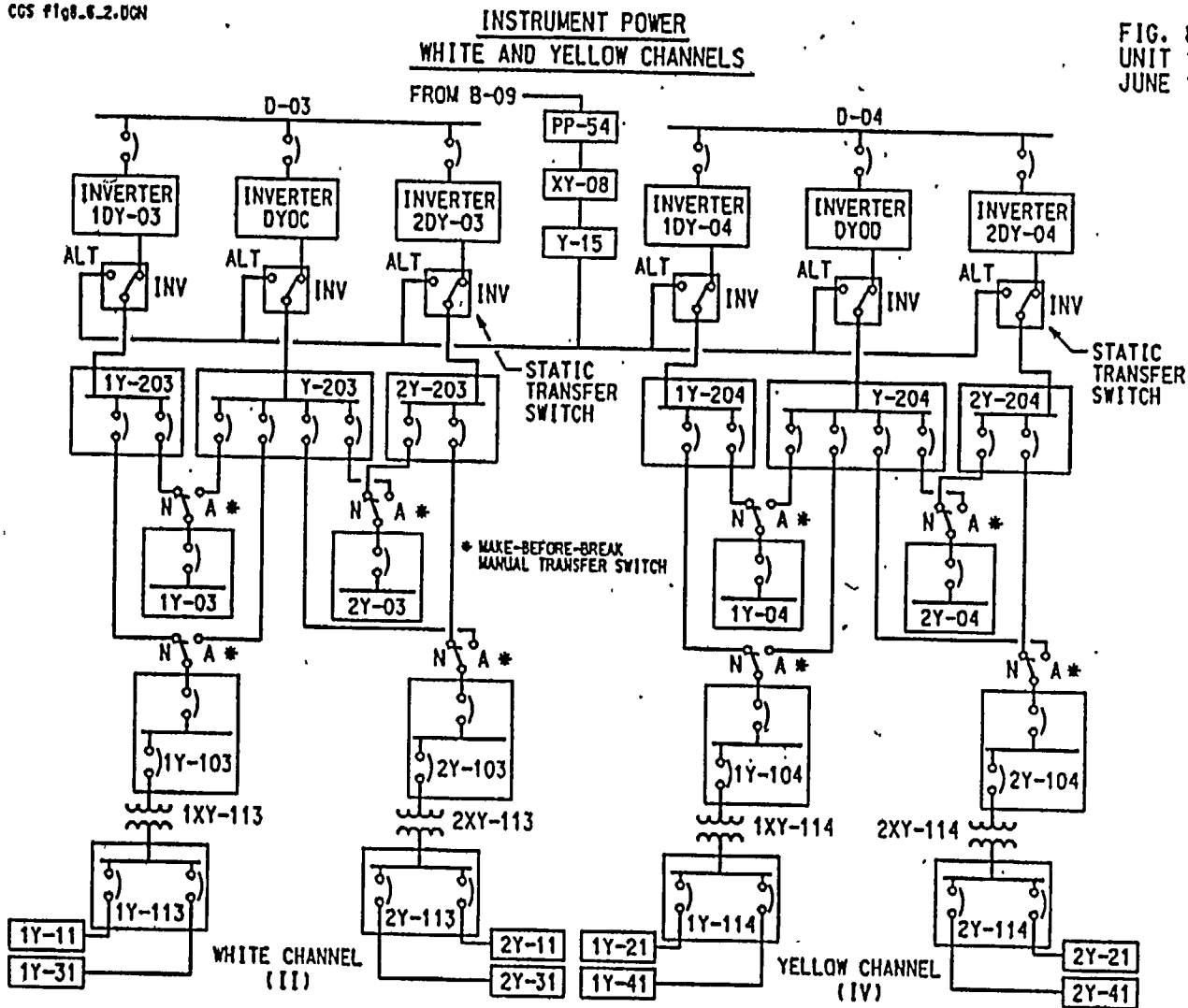


FIGURE 8.6-3
INSTRUMENT POWER
NON-PROTECTION SECTION

