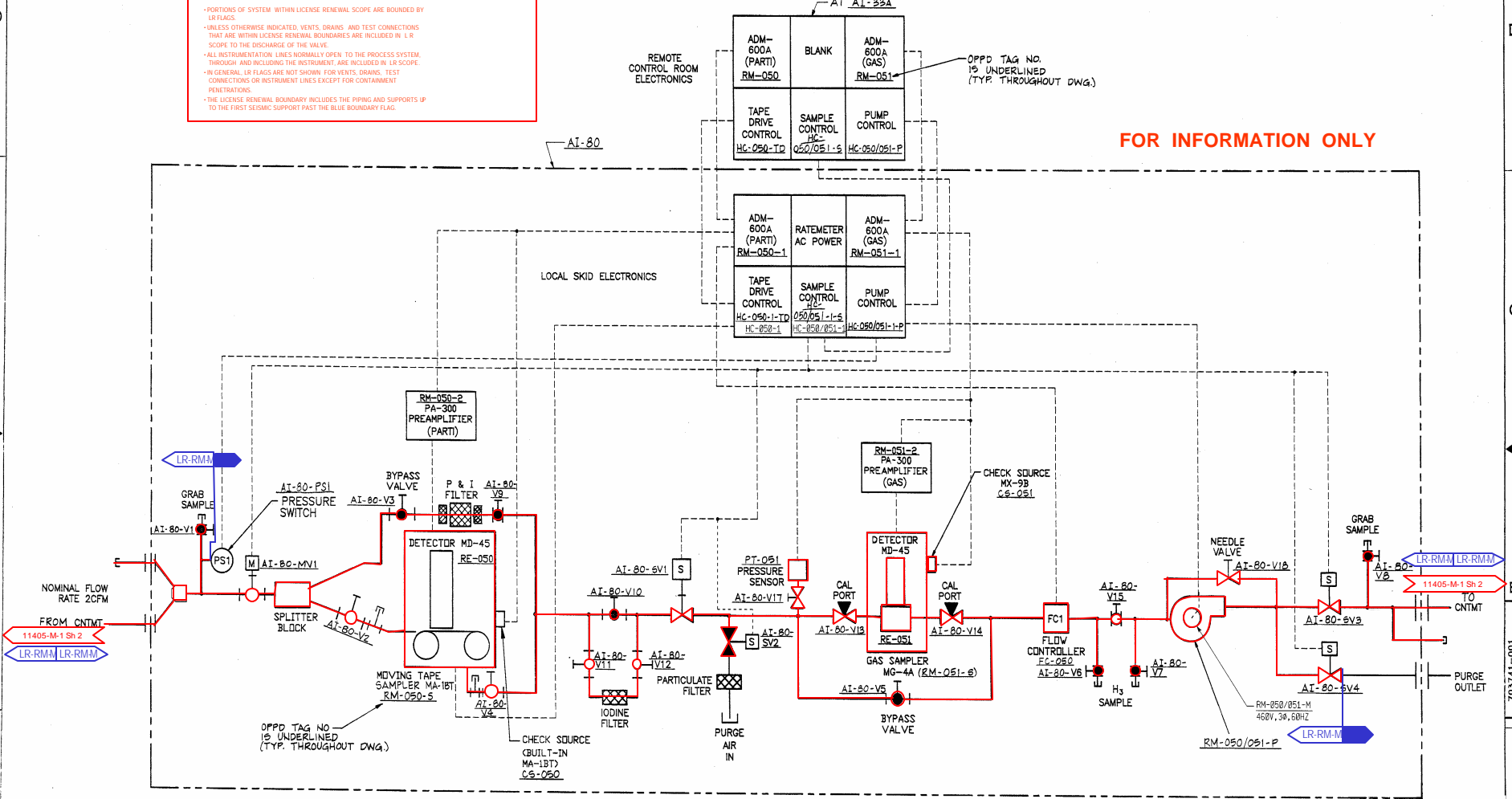


PROPRIETARY INFORMATION
 THIS DRAWING AND ALL INFORMATION AND FEATURES CONTAINED HEREIN ARE AND SHALL REMAIN THE EXCLUSIVE PROPERTY OF NUCLEAR RESEARCH CORPORATION. SHALL BE HELD CONFIDENTIAL AND SHALL NOT BE REPRODUCED OR OTHERWISE DISPOSED OF WITHOUT THE PRIOR WRITTEN CONSENT OF NUCLEAR RESEARCH CORPORATION.

NOTE: THIS PRINT IS TO BE USED FOR THE FCS LICENSE RENEWAL PROJECT ONLY.
IT MAY NOT REFLECT THE MOST CURRENT REVISION OF THIS DRAWING.

REVISIONS		DATE	APPROVED
E	ECN 11930-09	3-31-93	[Signature]
F	ECN 11930-12	6-2-93	[Signature]

PORTIONS OF SYSTEM WITHIN LICENSE RENEWAL SCOPE ARE BOUNDED BY LR FLAGS.
 UNLESS OTHERWISE INDICATED, VENTS, DRAINS AND TEST CONNECTIONS THAT ARE WITHIN LICENSE RENEWAL BOUNDARIES ARE INCLUDED IN LR SCOPE TO THE DISCHARGE OF THE VALVE.
 ALL INSTRUMENTATION LINES NORMALLY OPEN TO THE PROCESS SYSTEM THROUGH AND INCLUDING THE INSTRUMENT ARE INCLUDED IN LR SCOPE.
 IN GENERAL, LR FLAGS ARE NOT SHOWN FOR VENTS, DRAINS, TEST CONNECTIONS OR INSTRUMENT LINES EXCEPT FOR CONTAMINANT PENETRATIONS.
 THE LICENSE RENEWAL BOUNDARY INCLUDES THE PIPING AND SUPPORTS UP TO THE FIRST SEISMIC SUPPORT PAST THE BLUE BOUNDARY FLAG.



FOR INFORMATION ONLY

- NOTES:**
- AI-80-V13 AND AI-80-V14 ARE 3-WAY VALVES. 180° SWITCHING ACTUATION AND 90° ACTUATION FOR CENTER OFF POSITION.
 - ALL CHANNEL ELECTRONICS CAN BE INSULATED FROM CHASSIS/SKID GROUNDS USING INSULATING WASHERS, TAPE, GASKET MATERIAL OR OTHER APPROPRIATE INSULATING MATERIAL.

CQE
 Nuclear Safety Related

REV. SH. 37024	REV. 4
FILE 42969	

UNLESS OTHERWISE SPECIFIED DIMENSIONS ARE IN INCHES	DATE: 1-12-93
FRACTIONS: DECIMALS: ANGLES: 2:1*	CHECKED: [Signature] 7/3/93
TOLERANCES ON: DECIMALS: ANGLES: 2:1*	APPROVED: [Signature] 7/3/93
CONTRACT NO.	

FOR PURCHASE ORDER NO. BP1830 RADIATION MONITORING SYSTEM MARK NO. RM-050/RM-051 FORT CALHOUN STATION OMAHA, PUBLIC POWER DISTRICT	FORT CALHOUN
NEXT ASSEMBLY	USED ON

EA-FC-00-115 2/03 2 of 4	
NUCLEAR RESEARCH CORPORATION WASHINGTON, PA 15370-2424	TITLE PIPING AND INSTRUMENTATION DIAGRAM CAM-200A PGM (V1) RM-050&RM-051
SIZE: D CASE CODE: 96696 DRAWING NO.: 703741-001 REV: F	133601