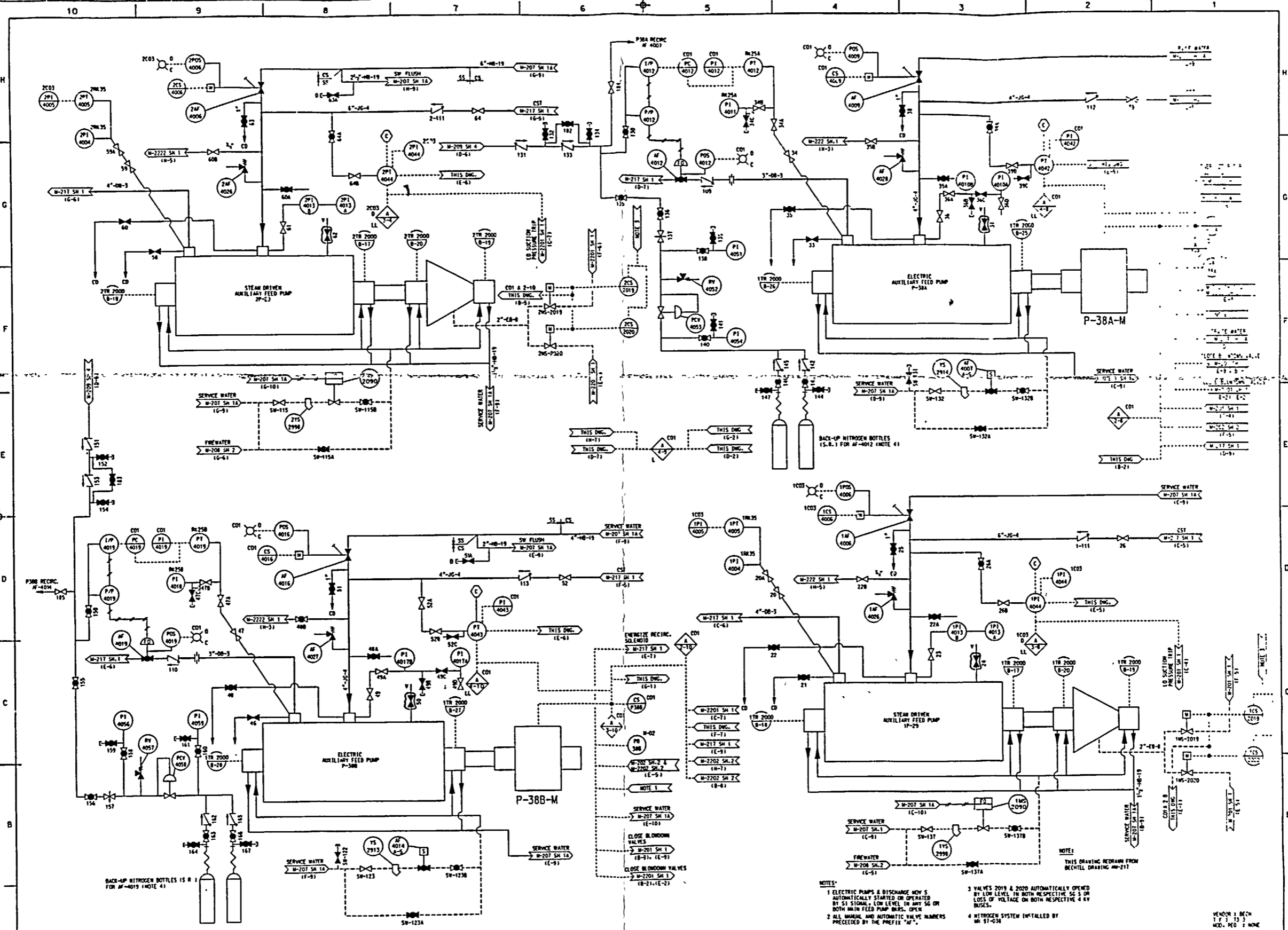


Handwritten initials: H/25



NO.	DATE	DESCRIPTION	BY	CHKD	APP'D
1	11-11-88	REVISED PER BCH 1000-1333
2	11-11-88	REVISED PER BCH 1000-2400
3	11-11-88	REVISED PER BCH 1000-2170
4	11-11-88	REVISED PER BCH 1000-2170
5	11-11-88	REVISED PER BCH 1000-2170
6	11-11-88	REVISED PER BCH 1000-2170
7	11-11-88	REVISED PER BCH 1000-2170
8	11-11-88	REVISED PER BCH 1000-2170
9	11-11-88	REVISED PER BCH 1000-2170
10	11-11-88	REVISED PER BCH 1000-2170

REFERENCE DRAWINGS:
 (C)1. ANNUNCIATOR ELEMENTARY WIRING DIAGRAM
 (C)2. ANNUNCIATOR ELEMENTARY WIRING DIAGRAM
 (C)3. ANNUNCIATOR ELEMENTARY WIRING DIAGRAM

NOTES:
 1. ELECTRIC PUMPS & DISCHARGE MOV'S AUTOMATICALLY STARTED ON OPERATED BY S1 SIGNAL. LOW LEVEL IN ANY SG OR BOTH MAIN FEED PUMP BUSES. OPEN 2. ALL MANUAL AND AUTOMATIC VALVE NUMBERS PRECEDED BY THE PREFIX 'AF'.
 3. VALVES 2019 & 2020 AUTOMATICALLY OPENED BY LOW LEVEL IN BOTH RESPECTIVE SG'S OR LOSS OF VOLTAGE ON BOTH RESPECTIVE 4V BUSES.
 4. NITROGEN SYSTEM INSTALLED BY MR. 97-038

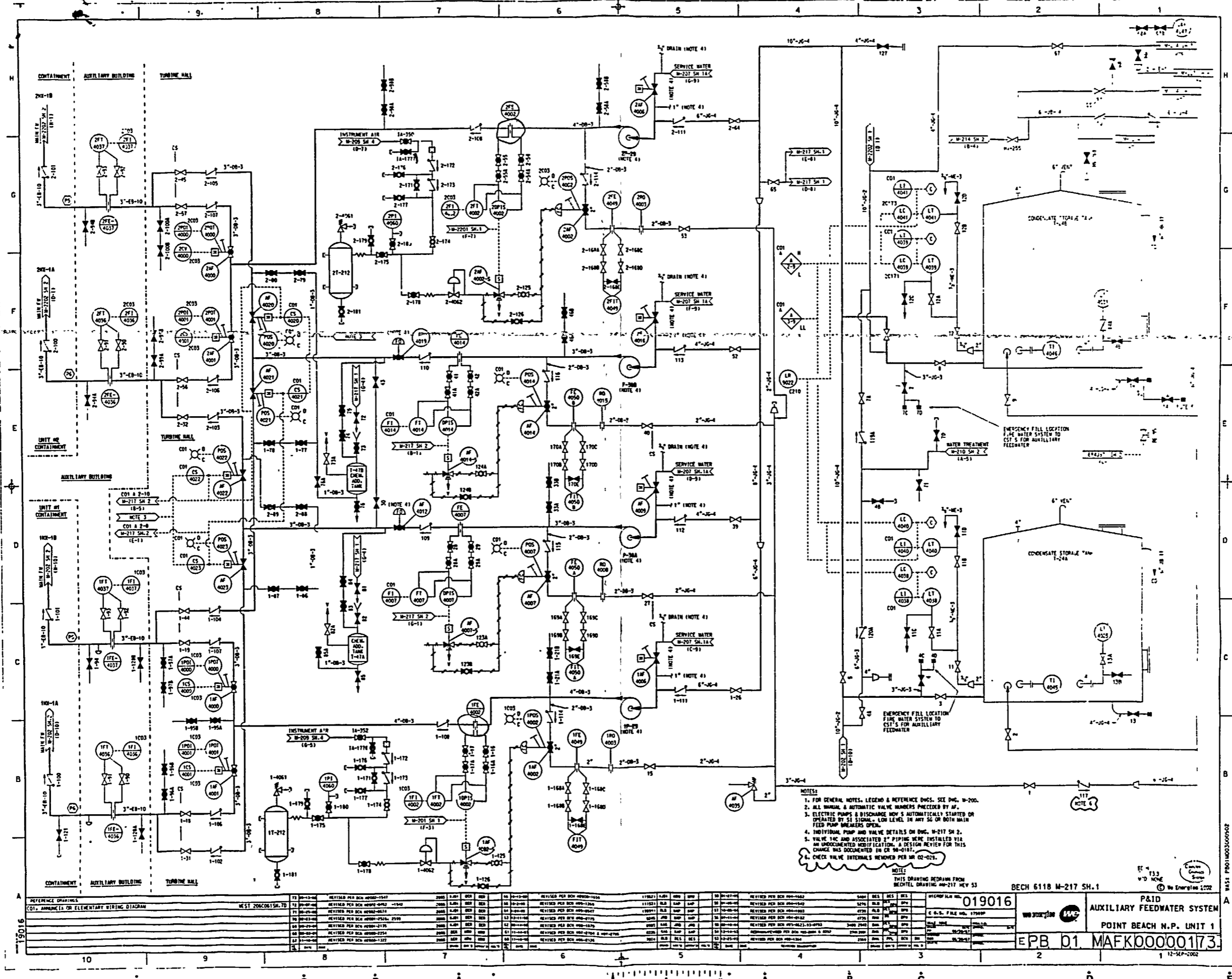
BECH 6118 M-217 SH.2

275460

P&ID
 AUXILIARY FEEDWATER SYSTEM
 POINT BEACH N.P. UNIT 1.2

E PB 31 MAFK00000318

21-AUG-2002



- NOTES:
1. FOR GENERAL NOTES, LEGEND & REFERENCE DWGS. SEE DWG. M-200.
 2. ALL MANUAL & AUTOMATIC VALVE NUMBERS PRECEDED BY M.
 3. ELECTRIC PUMPS & DISCHARGE HOV'S AUTOMATICALLY STARTED ON OPERATED BY S1 SIGNAL - LOW LEVEL IN ANY SG OR BOTH MAIN FEED PUMP HEADERS OPEN.
 4. INDIVIDUAL PUMP AND VALVE DETAILS ON DWG. M-217 SH 2.
 5. VALVE 14C AND ASSOCIATED 2" PIPING WERE INSTALLED VIA AN UNDOCUMENTED MODIFICATION. A DESIGN REVIEW FOR THIS CHANGE WAS DOCUMENTED IN CR 98-0187.
 6. CHECK VALVE INTERNALS REMOVED PER MR 02-029.

THIS DRAWING DERIVED FROM RECHTEL DRAWING M-217 REV 53

019016
 BECH 6118 M-217 SH.1
 P&ID
 AUXILIARY FEEDWATER SYSTEM
 POINT BEACH N.P. UNIT 1
 E PB D1 MAFK00000173

19016
 WEST 206001 SH.70

NO.	DATE	DESCRIPTION	BY	CHKD	APP'D
1	11-10-88	REVISED PER BCH 98-000-1541	2000	J.M.P.	000
2	11-10-88	REVISED PER BCH 98-000-1542	2000	J.M.P.	000
3	11-10-88	REVISED PER BCH 98-000-1543	2000	J.M.P.	000
4	11-10-88	REVISED PER BCH 98-000-1544	2000	J.M.P.	000
5	11-10-88	REVISED PER BCH 98-000-1545	2000	J.M.P.	000
6	11-10-88	REVISED PER BCH 98-000-1546	2000	J.M.P.	000
7	11-10-88	REVISED PER BCH 98-000-1547	2000	J.M.P.	000
8	11-10-88	REVISED PER BCH 98-000-1548	2000	J.M.P.	000
9	11-10-88	REVISED PER BCH 98-000-1549	2000	J.M.P.	000
10	11-10-88	REVISED PER BCH 98-000-1550	2000	J.M.P.	000
11	11-10-88	REVISED PER BCH 98-000-1551	2000	J.M.P.	000
12	11-10-88	REVISED PER BCH 98-000-1552	2000	J.M.P.	000
13	11-10-88	REVISED PER BCH 98-000-1553	2000	J.M.P.	000
14	11-10-88	REVISED PER BCH 98-000-1554	2000	J.M.P.	000
15	11-10-88	REVISED PER BCH 98-000-1555	2000	J.M.P.	000
16	11-10-88	REVISED PER BCH 98-000-1556	2000	J.M.P.	000
17	11-10-88	REVISED PER BCH 98-000-1557	2000	J.M.P.	000
18	11-10-88	REVISED PER BCH 98-000-1558	2000	J.M.P.	000
19	11-10-88	REVISED PER BCH 98-000-1559	2000	J.M.P.	000
20	11-10-88	REVISED PER BCH 98-000-1560	2000	J.M.P.	000