

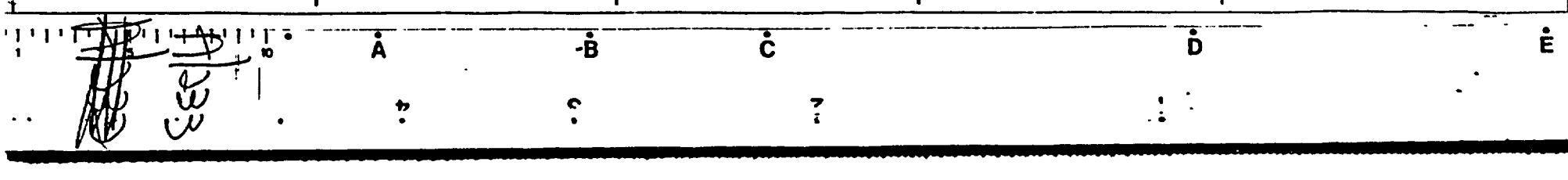
- NOTES:**
1. FOR GENERAL NOTES, LEGEND & REFERENCE DWGS. SEE DWG. M-200.
 2. ALL MANUAL & AUTOMATIC VALVE NUMBERS PRECEDED BY AF.
 3. ELECTRIC PUMPS & DISCHARGE MOV'RS AUTOMATICALLY OPERATED BY SI SIGNAL. LOW LEVEL IN ANY SG OR BOTH MAIN FEED PUMP BREAKERS OPEN.
 4. INDIVIDUAL PUMP AND VALVE DETAILS ON DWG. M-217 SH.2.
 5. VALVE 14C AND ASSOCIATED 2" PIPING WERE INSTALLED VIA AN UNDOCUMENTED MODIFICATION. A DESIGN REVIEW FOR THIS CHANGE WAS DOCUMENTED IN CR 98-0187.
 6. CHECK VALVE INTERNALS REMOVED PER MR 02-029.

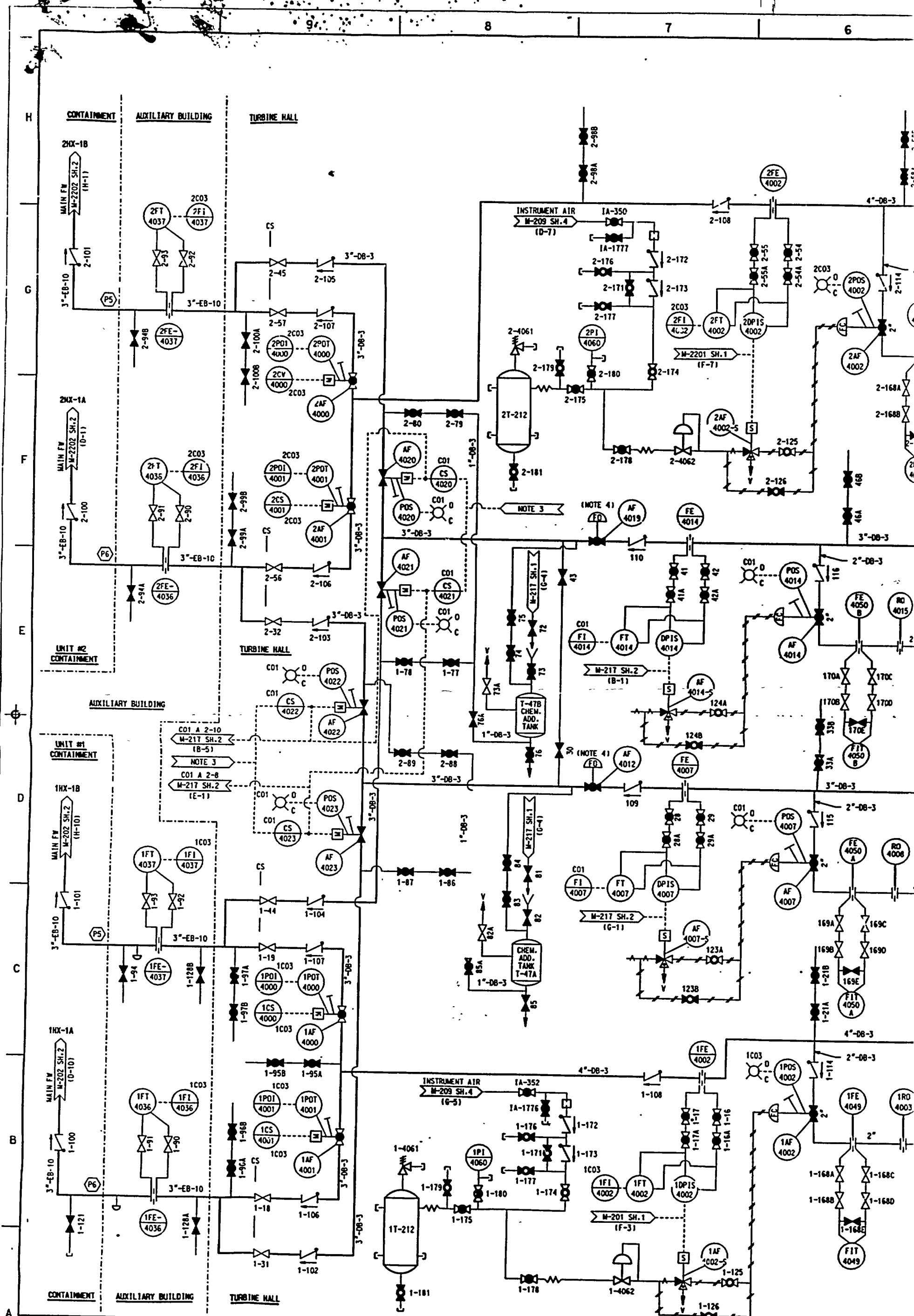
NOTE:
THIS DRAWING REDRAWN FROM
BECHTEL DRAWING M-217 REV. 53

BECH
T71 T33
MOD NONE
© We Energies 2002

119621	LAB	REV	REV	99	01-27-99	REVISED PER DCH #94-1642	5404	DES	DES	DES	MICROFILM NO.	019016	C.O.S. FILE NO. 17549P	P&ID AUXILIARY FEEDWATER SYSTEM POINT BEACH N.P. UNIT 1
111531	RLB	EXP	EXP	98	01-05-98	REVISED PER DCH #94-1642	5278	RLB	DES	DPV	SCALE NONE			
100361	RLB	EXP	EXP	97	10-05-94	REVISED PER DCH #94-1003	4739	RLB	DES	DPV	SCALE NONE	PROJ. I.D.	DATE	E PB 01 MAFK00000173
9245	JMB	EXP	EXP	96	07-11-94	REVISED PER DCH #94-0162	4739	RLB	DES	DPV	SCALE NONE	PROJ. I.D.	DATE	
8903	LAG	JMB	JMB	95	02-10-94	REVISED PER DCH #93-0623-93-0793	3409 2942	DAK	DES	DPV	SCALE NONE	PROJ. I.D.	DATE	
8226	LAG	EXP	EXP	94	12-14-93	RECORDED/REVISED PER DCH #93-0004 & 8257	2741 2991	DAK	DES	DPV	SCALE NONE	PROJ. I.D.	DATE	
7074	RLB	DES	DES	93	12-03-92	REVISED PER DCH #92-1364	2369	RLB	PPL	DCH	SCALE NONE	PROJ. I.D.	DATE	

WAS: PBO1M003000902





NO.	DATE	DESCRIPTION	BY	CHKD.	APP'D.
73	09-13-62	REVISED PER BCR #2002-1547	2065	LJB1	BER
72	09-07-62	REVISED PER BCR #2002-0452, -1542	2065	LJB1	BER
71	08-05-62	REVISED PER BCR #2002-0574	2065	LJB1	BER
70	08-03-62	REVISED PER BCR #2001-2526, 2599	2065	LJB1	BER
69	08-21-62	REVISED PER BCR #2001-2135	2065	LJB1	BER
68	05-03-62	REVISED PER BCR #2000-2254	2065	BER	BER
67	11-19-61	REVISED PER BCR #2000-1322	2065	BER	BER
66	09-13-61	REVISED PER BCR #2000-1669	2065	BER	BER
65	09-03-61	REVISED PER BCR #2000-1260	2065	BER	BER
64	08-09-61	REVISED PER BCR #2000-0847	2065	BER	BER
63	12-11-60	REVISED PER BCR #2000-2775	2065	BER	BER
62	09-10-60	REVISED PER BCR #2000-1879	2065	BER	BER
61	11-14-59	REVISED PER BCR #2000-0704 & #2000-0705	2065	BER	BER
60	11-10-59	REVISED PER BCR #2000-2126	2065	BER	BER

19016

REFERENCE DRAWINGS

CO1 ANNUNCIATOR ELEMENTARY WIRING DIAGRAM WEST 206C061SN.7D