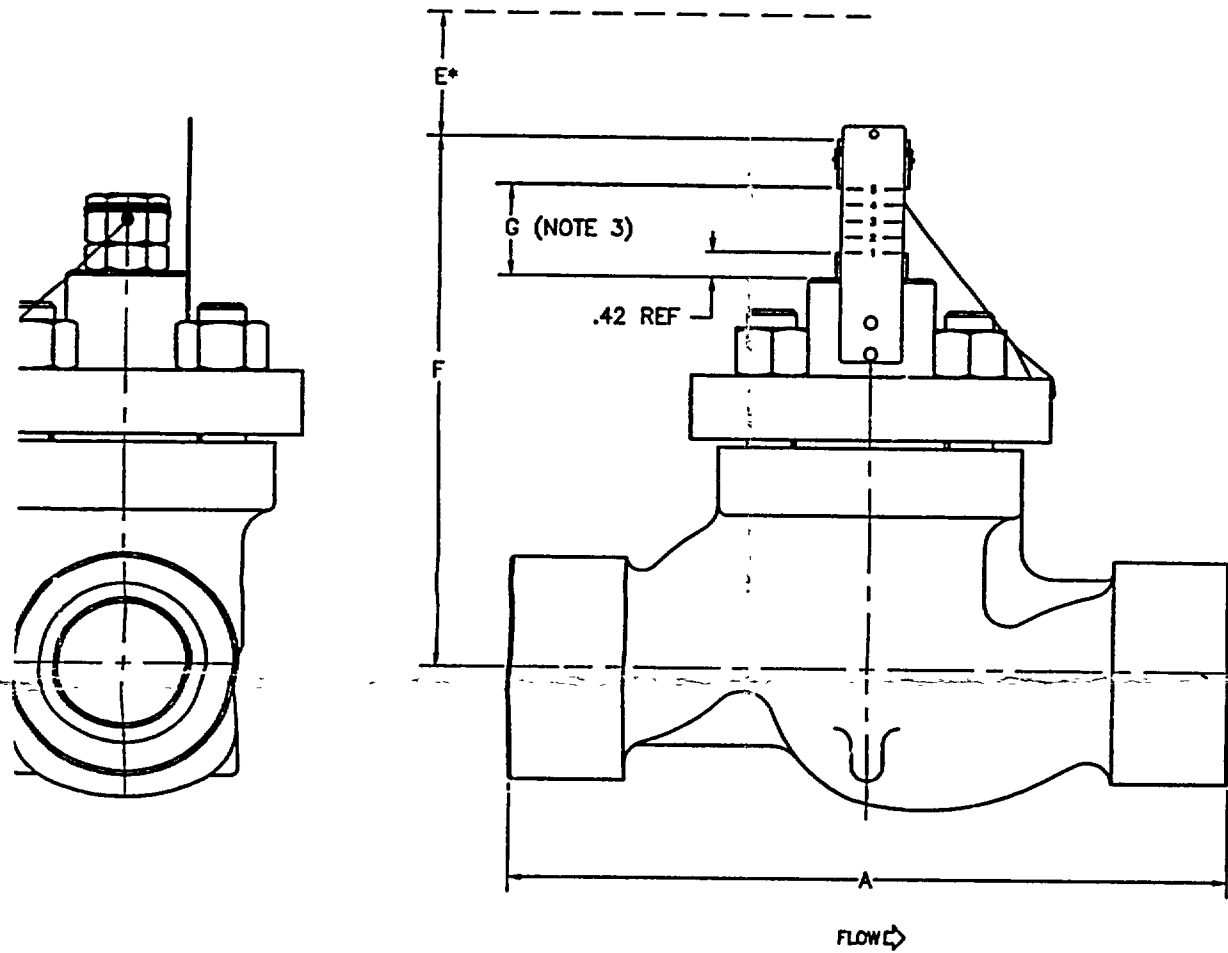


MATERIAL
A351-CF8M
A479-316
A479-316
AISI-304
A193-B7
A194-2H
A194-2H
A194-2H
SOFT STAINLESS STEEL TYPE 302/304
A1S1-420
NITRILE (70)
NITRILE (90)

SEQ	QTY	DESCRIPTION	MATERIAL	NOTE
20	1	SEAT RING, MK1, CHNLSTRM	A479-316	
30	1	SEAT RET, MK1, CHNLSTRM	A582-416HT	5
30A	1	SEAT RETAINER, FIRST STAGE	---	5
30B	1	SEAT RETAINER, SECOND STAGE	---	5
30C	1	SEAT RETAINER, THIRD STAGE	---	5
30D	1	SEAT RETAINER, FOURTH STAGE	---	5
55	1	GASKET, SEAT RING	316/GRAPHITE	
58	1	GASKET, BONNET RING	316/GRAHITE	
126	1	PLATE, FLOW ARROW	302 STAINLESS STEEL	
258	2	ALIGNMENT PIN	A479-316	5

REV	REVISIONS	BY DATE	APP'D DATE
A	TOP VIEW, WIRE NOTE WAS WRAP WIRE 1 TO 3 REVOLUTIONS. ADDED PART NO'S. 153, 235P, AND 288. DELETED PART NO. 245 RETAINING RING. NOTE 3: ADDED POSITION INDICATION NO'S. 1, 2, 3, 4, AND 5. NOTE 4: ADDED SERIAL NO.: D440T-1-1	GAM 11-01	



* - DISASSEMBLY/MAINTENANCE CLEARANCE

	A	E	F	APPROXIMATE WEIGHT
INCH	11.3	2.5	8.5	40 LBS
mm	287	63.5	216	19 KG

W.E. CO. MICROFILM NO.	W.E. CO. DRAWING NO.				
336013	DPB 31, MAF G 26.9 00301				
REV	DATE	DESCRIPTION	BY	APP'D	REL
1	7/8/02	INCORPORATE INTO PDA FOR DEN 2002-04-10			

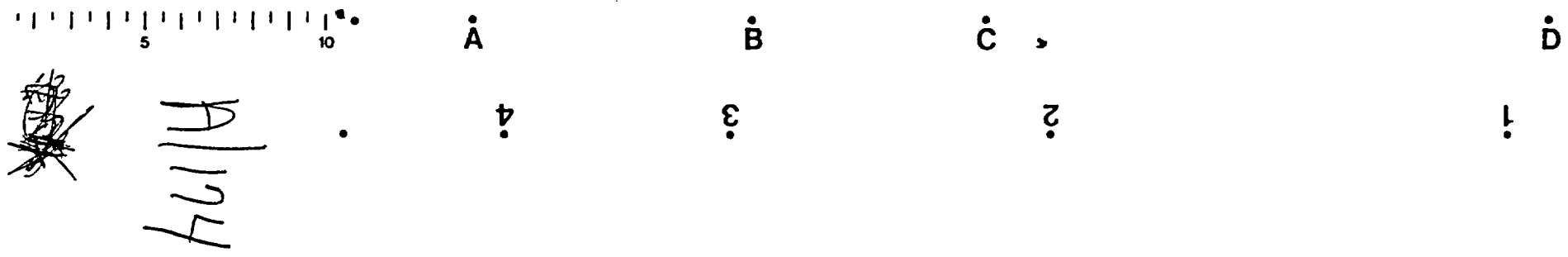
NOTES

- VALVE IS DESIGNED IN ACCORDANCE WITH ASME B16.34 - 1996 WITH 1998 ADDENDA, STANDARD CLASS
- APPROX VALVE WEIGHT = 40 LBS
- ADJUSTED POSITION :

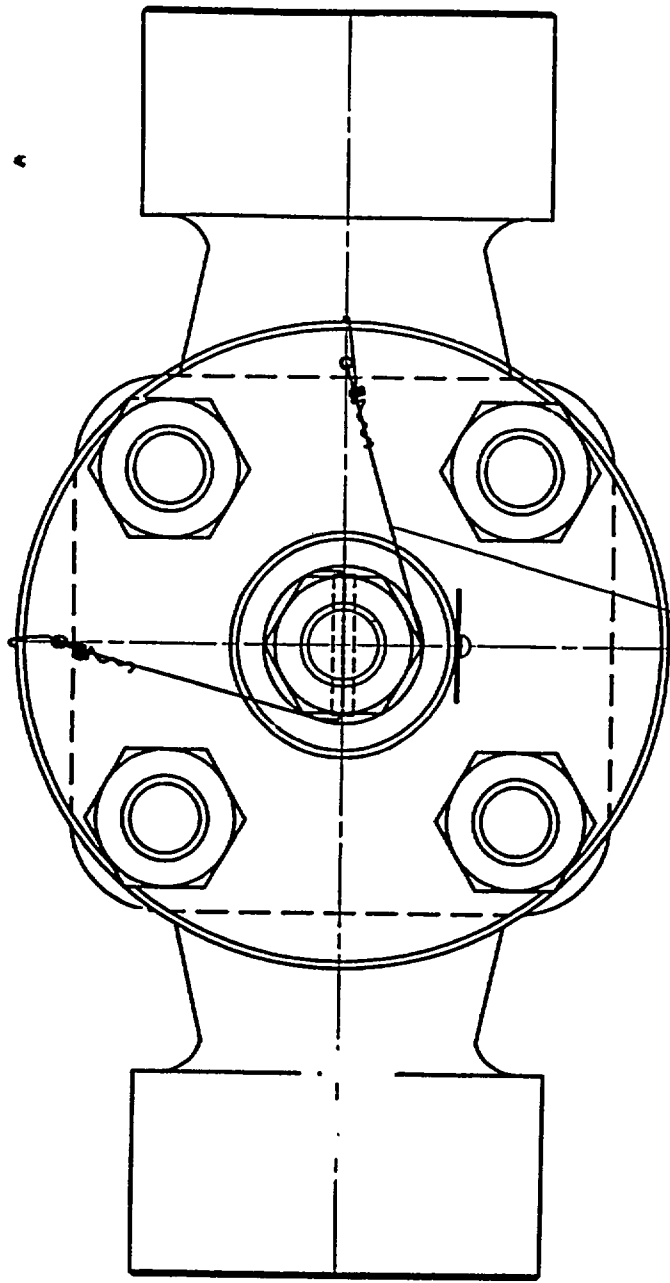
	1	2	3	4	5
G (INCHES) :	.42 (MIN)	.67	.92	1.17	1.42 (MAX)
APPROXIMATE C _v (LINEAR) :	1.4	2.1	2.7	3.4	4.1
- VALVE TAG NO: 2R0-04003, SERIAL NO.: D440T-1-1
- SEAT RETAINER, SEQ 30, FURNISHED AS COMPLETE ASSEMBLY ONLY.

WISCONSIN ELECTRIC POWER CO.
POINT BEACH NUCLEAR PLANT UNIT
CUSTOMER P.O. NO.: 4500429416
FLOWSERVE CORP. S.O. D440T-1

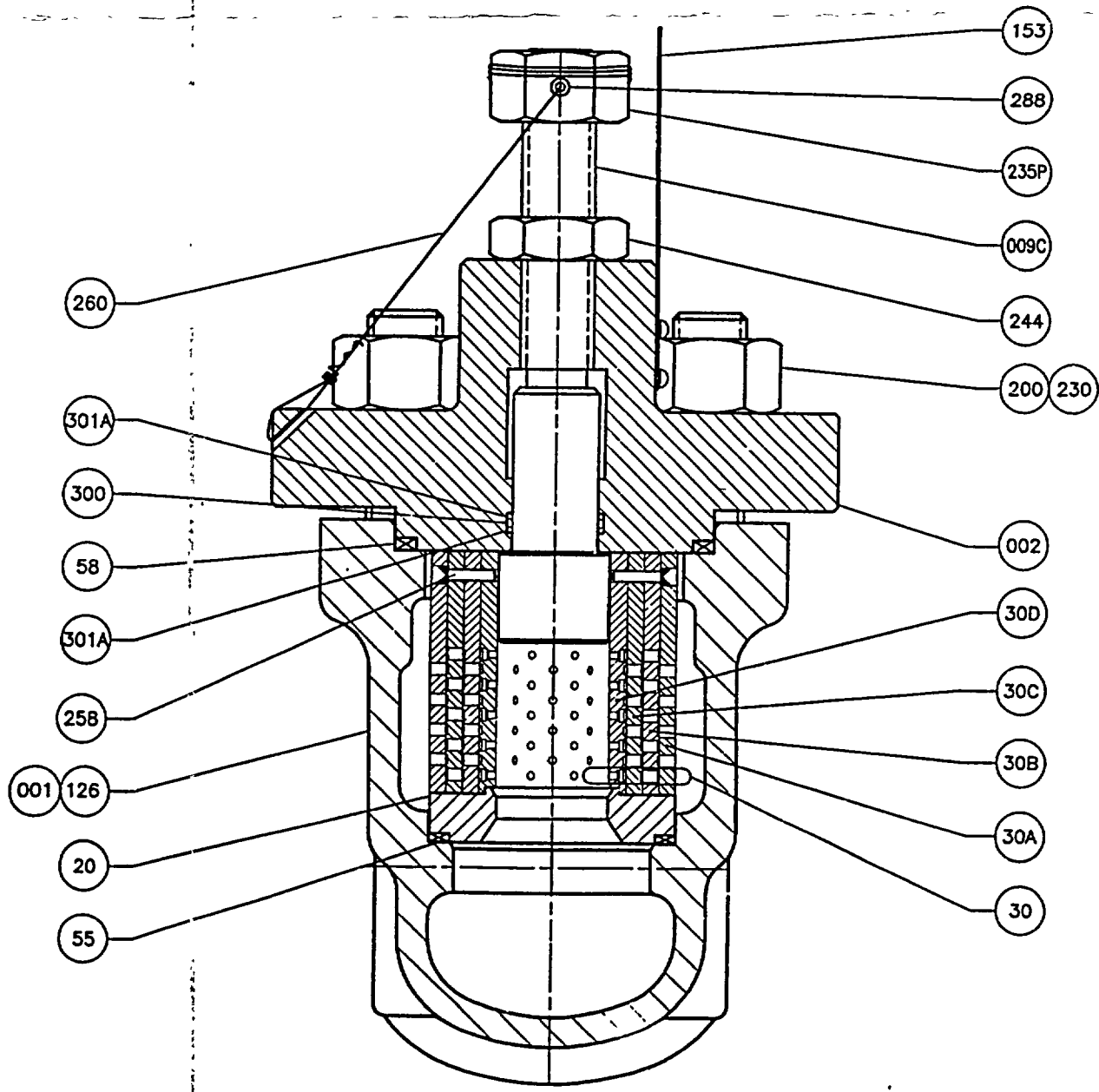
FLOWSERVE		Flowserve Corp.	Flow Control Division	Williamsport, PA
2"-600 LB GLOBE CONTROL VALVE SOCKET ENDS, STAINLESS STEEL VALTEK MARK ONE CHANNELSTREAM WITH ADJUSTABLE PRESSURE REDUCING DEVICE				
DWN BY: RAW	DATE: 10-09-01	DRAWING TYPE	DCA	REV
CHK BY: KES	DATE: 10-12-01	914-116249		A
APD BY: MDC	DATE: 10-16-01	1 2 3 4 5 6 7 8 9		



PART NO.	QTY	DESCRIPTION
001	1	BODY
002	1	BONNET
009C	1	PLUG/STEM
153	1	INDICATOR PLATE (PO
200	4	STUD, 0.75-10
230	4	NUT, 0.75-10, HVYH
235P	1	NUT-PIN
244	1	NUT-JAM (STEM)
260	1	SAFETY WIRE (16 GA)
288	1	LOCK PIN
300	1	O-RING (BONNET)
301A	2	BACK-UP RING



WRAP WIRE
1 TO 3 REVOLUTIONS
AFTER FEEDING THRU
HOLE IN LOCK PIN



This is a copy of an original record of an assembly, and that it has been made in the ordinary course of business in accordance with prescribed instructions and the undersigned person who has executed this certificate has personal knowledge of the facts covered by this certificate.
 Date: 5/21/02
 we energies

