

BECH 6118 M-207 SH.1

MICROFILM NO. 018995



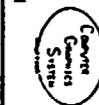
PAID SERVICE WATER

EPB 01 MWSK00000362

29-APR-2002

NOTE:  
THIS DRAWING REDRAWN FROM  
WISCONSIN ELECTRIC  
DRAWING MM-207 SH.1.1

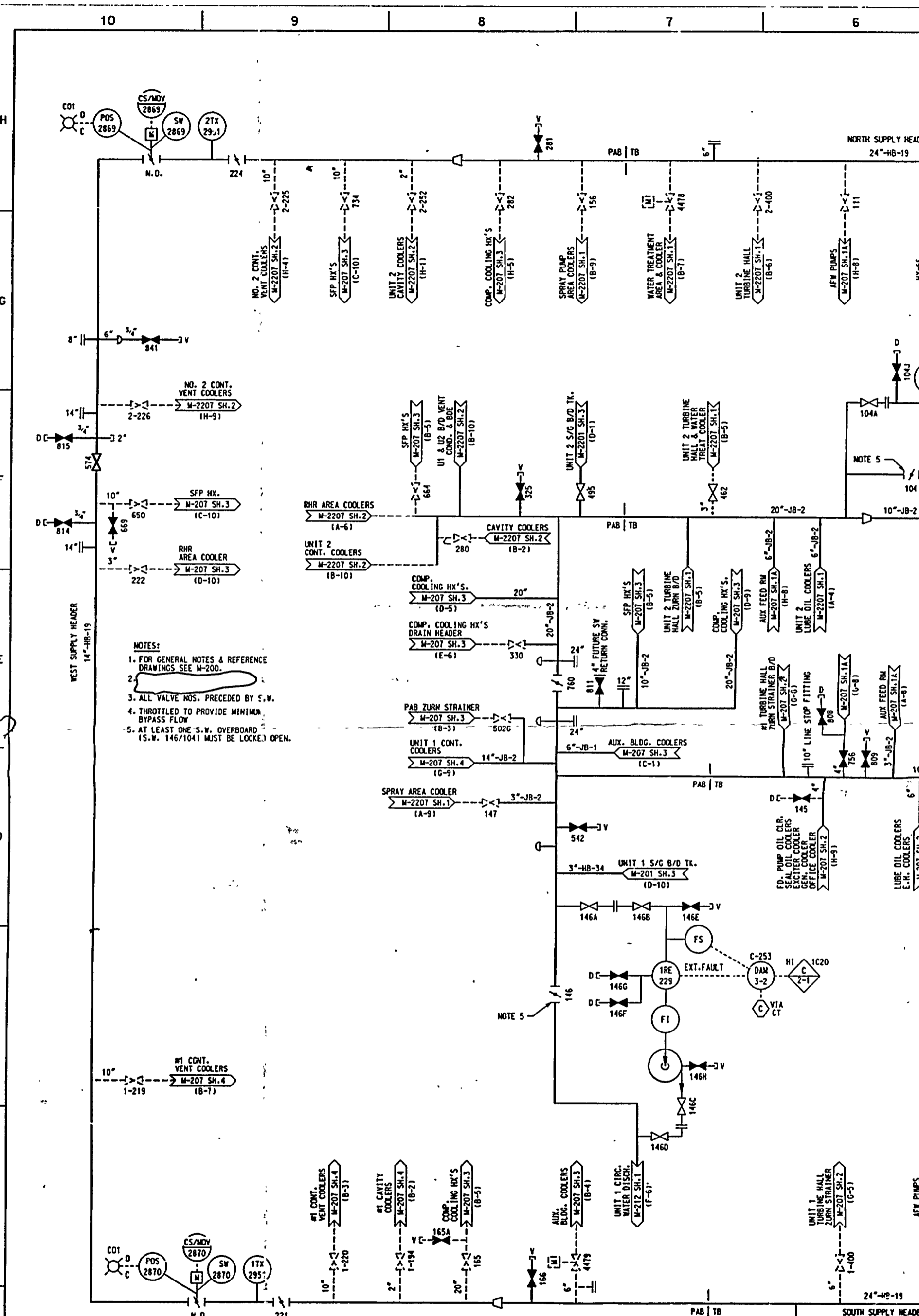
VENDOR: BECH  
T.F. 1.1, 13.5  
MOD. REC.: 98-0244H



WAS PR01M098000904

REV	DATE	BY	CHKD	APP	DESCRIPTION
1576	01/20/02	WJW	WJW		REVISED PER DOW 29002-0300
1582	01/20/02	WJW	WJW		REVISED PER DOW 29002-0300
1643	01/20/02	WJW	WJW		REVISED PER DOW 29002-0300
1651	01/20/02	WJW	WJW		REVISED PER DOW 29002-0300
1744	01/20/02	WJW	WJW		REVISED PER DOW 29002-0300
1833	01/20/02	WJW	WJW		REVISED PER DOW 29002-0300
1834	01/20/02	WJW	WJW		REVISED PER DOW 29002-0300
1835	01/20/02	WJW	WJW		REVISED PER DOW 29002-0300
1836	01/20/02	WJW	WJW		REVISED PER DOW 29002-0300
1837	01/20/02	WJW	WJW		REVISED PER DOW 29002-0300
1838	01/20/02	WJW	WJW		REVISED PER DOW 29002-0300
1839	01/20/02	WJW	WJW		REVISED PER DOW 29002-0300
1840	01/20/02	WJW	WJW		REVISED PER DOW 29002-0300
1841	01/20/02	WJW	WJW		REVISED PER DOW 29002-0300
1842	01/20/02	WJW	WJW		REVISED PER DOW 29002-0300
1843	01/20/02	WJW	WJW		REVISED PER DOW 29002-0300
1844	01/20/02	WJW	WJW		REVISED PER DOW 29002-0300
1845	01/20/02	WJW	WJW		REVISED PER DOW 29002-0300
1846	01/20/02	WJW	WJW		REVISED PER DOW 29002-0300
1847	01/20/02	WJW	WJW		REVISED PER DOW 29002-0300
1848	01/20/02	WJW	WJW		REVISED PER DOW 29002-0300
1849	01/20/02	WJW	WJW		REVISED PER DOW 29002-0300
1850	01/20/02	WJW	WJW		REVISED PER DOW 29002-0300
1851	01/20/02	WJW	WJW		REVISED PER DOW 29002-0300
1852	01/20/02	WJW	WJW		REVISED PER DOW 29002-0300
1853	01/20/02	WJW	WJW		REVISED PER DOW 29002-0300
1854	01/20/02	WJW	WJW		REVISED PER DOW 29002-0300
1855	01/20/02	WJW	WJW		REVISED PER DOW 29002-0300
1856	01/20/02	WJW	WJW		REVISED PER DOW 29002-0300
1857	01/20/02	WJW	WJW		REVISED PER DOW 29002-0300
1858	01/20/02	WJW	WJW		REVISED PER DOW 29002-0300
1859	01/20/02	WJW	WJW		REVISED PER DOW 29002-0300
1860	01/20/02	WJW	WJW		REVISED PER DOW 29002-0300
1861	01/20/02	WJW	WJW		REVISED PER DOW 29002-0300
1862	01/20/02	WJW	WJW		REVISED PER DOW 29002-0300
1863	01/20/02	WJW	WJW		REVISED PER DOW 29002-0300
1864	01/20/02	WJW	WJW		REVISED PER DOW 29002-0300
1865	01/20/02	WJW	WJW		REVISED PER DOW 29002-0300
1866	01/20/02	WJW	WJW		REVISED PER DOW 29002-0300
1867	01/20/02	WJW	WJW		REVISED PER DOW 29002-0300
1868	01/20/02	WJW	WJW		REVISED PER DOW 29002-0300
1869	01/20/02	WJW	WJW		REVISED PER DOW 29002-0300
1870	01/20/02	WJW	WJW		REVISED PER DOW 29002-0300
1871	01/20/02	WJW	WJW		REVISED PER DOW 29002-0300
1872	01/20/02	WJW	WJW		REVISED PER DOW 29002-0300
1873	01/20/02	WJW	WJW		REVISED PER DOW 29002-0300
1874	01/20/02	WJW	WJW		REVISED PER DOW 29002-0300
1875	01/20/02	WJW	WJW		REVISED PER DOW 29002-0300
1876	01/20/02	WJW	WJW		REVISED PER DOW 29002-0300
1877	01/20/02	WJW	WJW		REVISED PER DOW 29002-0300
1878	01/20/02	WJW	WJW		REVISED PER DOW 29002-0300
1879	01/20/02	WJW	WJW		REVISED PER DOW 29002-0300
1880	01/20/02	WJW	WJW		REVISED PER DOW 29002-0300

5  
4  
3  
2  
1  
A  
B  
C  
D  
E



- NOTES:**
1. FOR GENERAL NOTES & REFERENCE DRAWINGS SEE M-200.
  2. [Redacted]
  3. ALL VALVE NOS. PRECEDED BY S.W.
  4. THROTTLED TO PROVIDE MINIMUM BYPASS FLOW
  5. AT LEAST ONE S.W. OVERBOARD (S.W. 146/104) MUST BE LOCKED OPEN.

NO.	DATE	DESCRIPTION	BY	CHKD	APP'D	REVISED PER DCH
60	11-10-01	REVISED PER DCHS #2001-2385	2065	FJBI	BER	53 3-4-00 REVISED PER DCH #2000-0260
59	04-28-01	REVISED PER DCHS #2001-0627	2065	FJBI	MRV	52 12-04-99 REVISED PER DCH #99-1788
58	04-07-01	REVISED PER DCHS #2001-0657, -0721	2065	BER	VCC	51 5-4-99 REVISED PER DCH #99-0780
57	11-18-00	REVISED PER DCH #2000-1963	2065	BER	MRV	50 05-06-94 REVISED PER DCH #98-0954
56	10-21-00	REVISED PER DCH #2000-1944	2065	BER	MRV	49 06-13-97 REVISED PER DCH #97-0619, 97-0
55	3-4-00	REVISED PER DCH #2000-0780	1778	RLB	KMP	48 03-07-91 REVISED PER DCH #91-0229
54	3-25-00	REVISED PER DCH #2000-0483	1745	RLB	KMP	47 10-19-96 REVISED PER DCH #96-1880
53	DATE	DESC	BY	CHKD	APP'D	REVISED PER DCH

18995

COI POS 2869 CS/MOV 2869 SW 2869 2TX 29.1

COI POS 2870 CS/MOV 2870 SW 2870 1TX 295