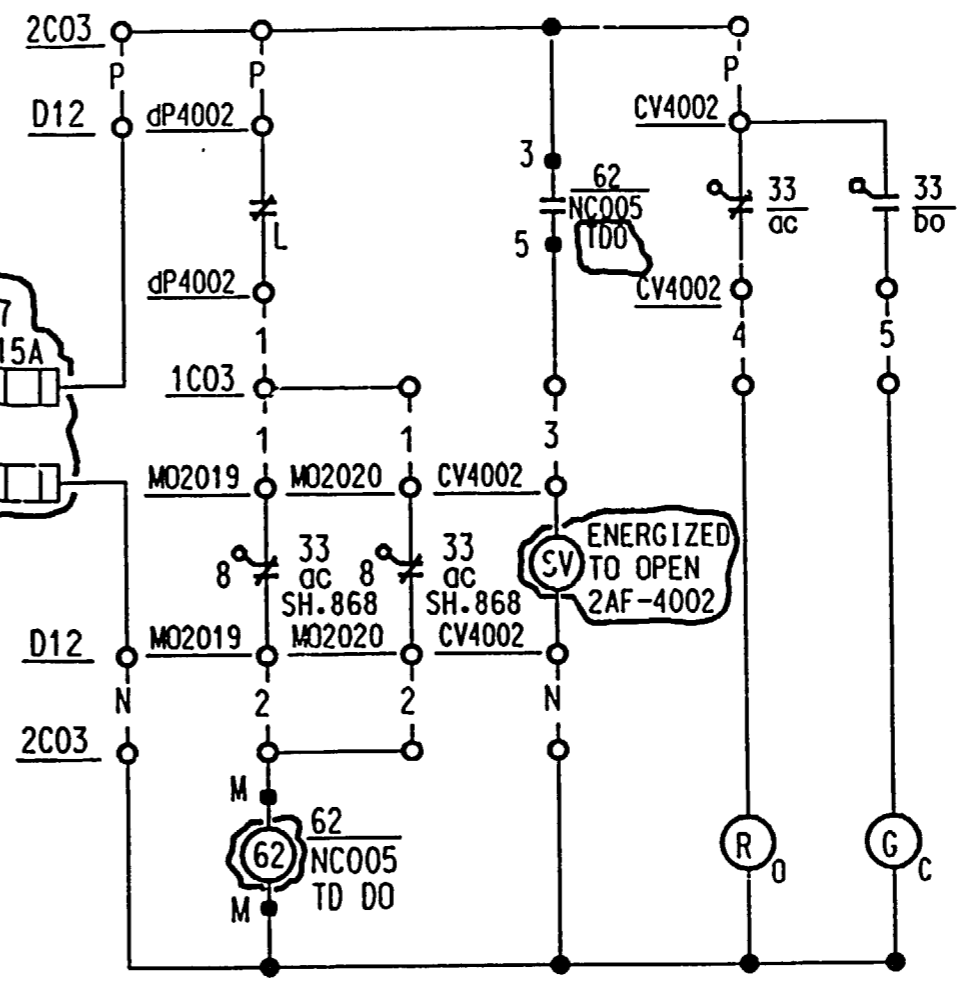
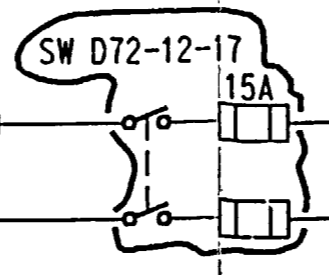


125V DC  
DISTR. PNL  
D12



SCHEME NO. 2NCO05

SAFEGUARDS TRAIN "A"

THIS DRAWING HAS BEEN SCHEMATICALLY REVISED BY				ExpertCADIC
FROM	BECHTEL			
DRW. NO.	499B466 SH.869	ACT. #	7015	REV.
DATE	12-13-96	CHK.	EMM	OR EDB

VENDOR : WEST  
T.F.I. T3.3  
MOD. REQ. :

WEST 499B466 SH.869

© WISCONSIN ELECTRIC 19

A

REV NO.	DATE	REVISION DESCRIPTION	ACT	DRAWN	CHK'D	APP'D
11	05-05-01	REVISED PER DCN #2001-1029. 1126	2064	KFB	KAC	VCC
10	7-10-99	REVISED PER DCN #99-1069	9751	RLB	KHP	KHP
09	11-20-98	REVISED PER DCN # 98-2456	9051	JRB	KHP	KHP
08	01-03-97	CONVERTED AND REVISED PER DCN #96-2032	7010	SPS	DES	DES
07	12-06-90	REVISED PER DCN #90-1313		RPS	PPL	DJM

MICROFILM NO.		
21459		
DRAWN	DATE	PROJECT NO.
CHECKED	DATE	ACTIVITY NO.
APPROVED	DATE	SCALE

WISCONSIN ELECTRIC

CGS NO. 63682

BPB 31

ELEMENTARY WIRING DIAGRAM  
TURBINE DRIVEN AUXILIARY  
FEEDWATER PUMP MINI  
RECIRC CONTROL VALVE 2AF-40  
POINT BEACH N.P. UNIT 2

EAFS0000021

LEVEL USAGE: 1 2 3 4 5 6 7 8 9 10 11 12 13 14 15 16 17 18 19 20 21 22 23 24 25 26 27 28 29 30 31 32 33 34 35 36 37 38 39 40 41 42 43 44 45 46 47 48 49 50 51 52 53 54 55 56 57 58 59 60 61 62 63

Al119 02-MAY

Dated: 5/11/01