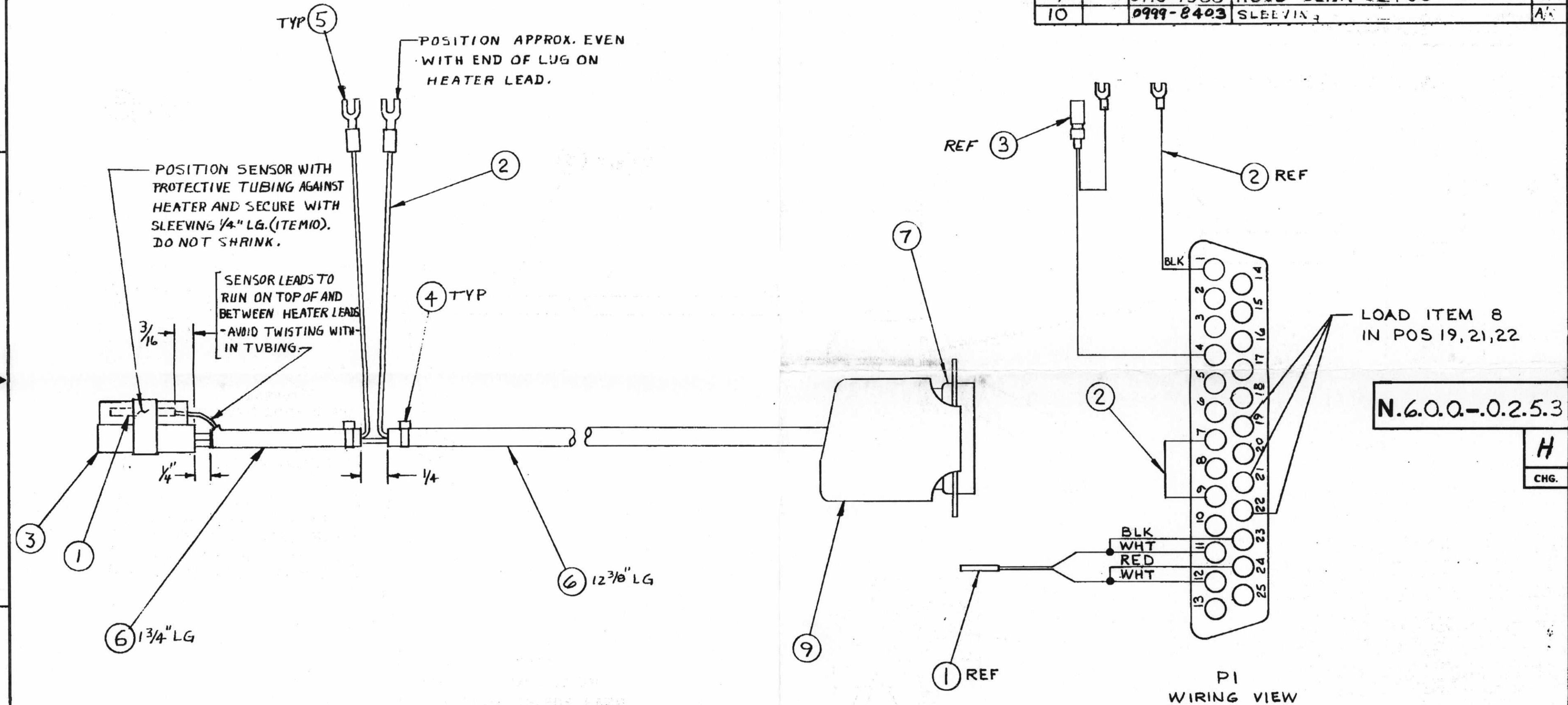


UNLESS OTHERWISE SPECIFIED

DECIMALS		FRACTIONS	ANGLES	SURFACE ROUGHNESS	DIMENSIONS ARE IN INCHES
2 PLACE	3 PLACE	+ 1/8	+ //	√ A. A. MAX.	ALL DIAS. ON SAME AXIS CONC. WITHIN .006 T.I.R. BREAK SHARP EDGES .01R. OR .01 X 45° MAX. ALL DIMENSIONS AND TOL. APPLY BEFORE FINISH

MATERIALS LIST

ITEM	DWG SIZE	P-E NO.	DESCRIPTION	QTY
1	B	N600-0040	SENSOR ASSY	1
2	WP	N600-0253	WPS HARNESS ASSY-ECD 120V	REF
3	B	N600-0258	HEATER ASSY-ECD 120V	1
4		0998-7106	TIE CABLE	
5		0998-2151	SPADE LUG-FORK	2
6		0998-5663	TUBING INSUL 22D FBG WHT	A/R
7		0998-8800	CONNECTOR 25POC PLUG	1
8		0998-9216	PIN-MALE	6
9		0998-9380	HOOD CONN 25 POS	1
10		0999-8403	SLEEVING	A/R



H	REV. 57293	33093	
G	REV# 39862	3/83	
F	REV	1-82	37804
E	REV	11-81	37592
D	REV	10-81	37217
C	REV	10-81	37215
B	REV	8/81	36906
A	DR# 14664	7/9/81	
CHG.	DESCRIPTION	DATE	C.N.NO.

THESE DRAWINGS AND SPECIFICATIONS ARE THE PROPERTY OF THE PERKIN-ELMER CORPORATION, ARE ISSUED IN STRICT CONFIDENCE, AND SHALL NOT BE REPRODUCED, OR COPIED, OR USED AS THE BASIS FOR THE MANUFACTURE OR SALE OF APPARATUS WITHOUT PRIOR WRITTEN PERMISSION.

DO NOT SCALE DRAWING

MATERIAL	SEE M/L	DRAWN	DATE
TREATMENT	//	CHECKED	DATE
FINISH	//	PROJ. ENGR.	DATE
QTY.	1	APPROVED	DATE
USED ON	N600-0113	SCALE	FULL

PERKIN-ELMER
INSTRUMENT DIVISION NORWALK, CONNECTICUT

HARNESS ASSY - ECD 120V

N.6.0.0.-0.2.5.3

CHG. H

FORM 3-0138-02

D-05