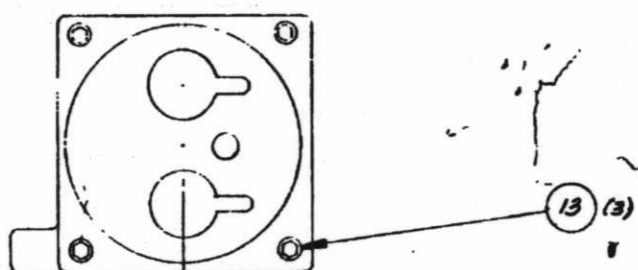
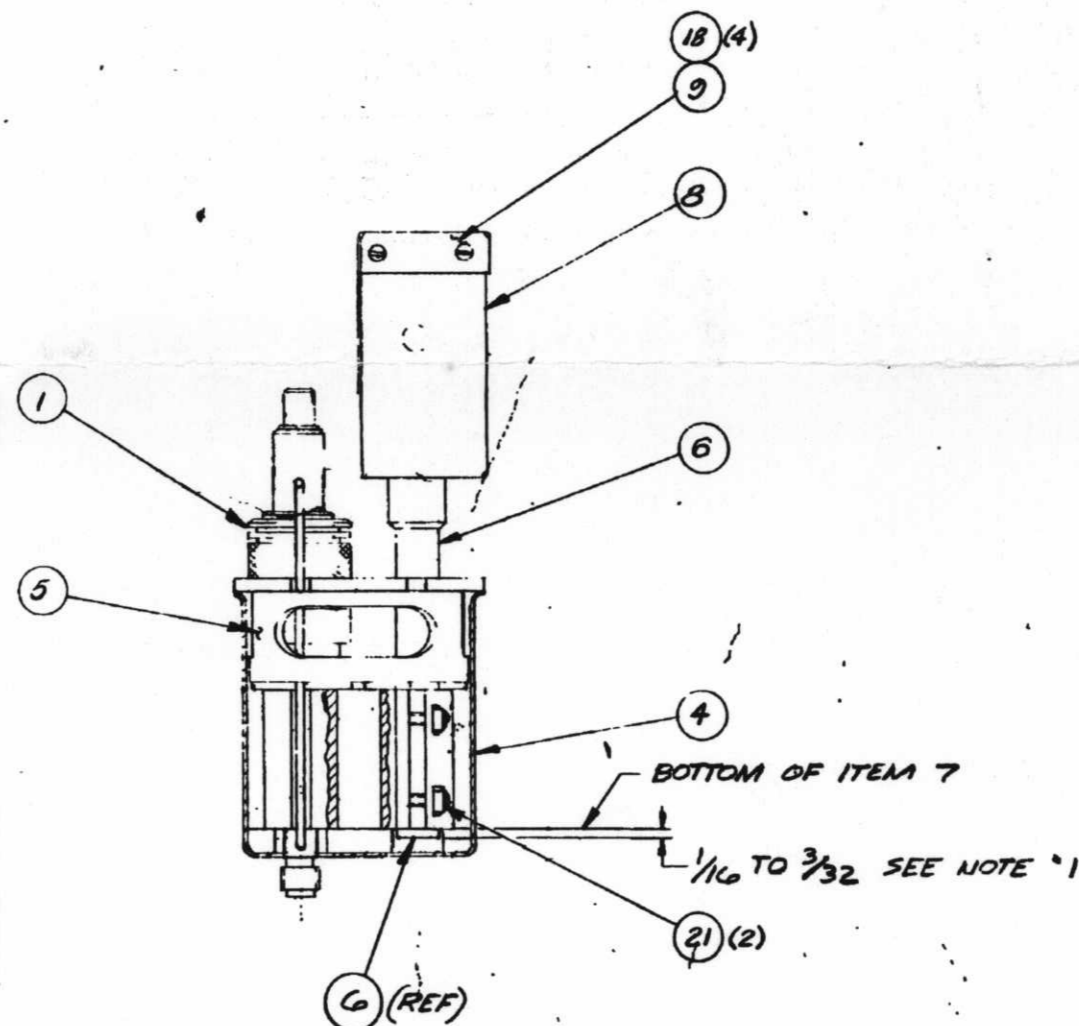
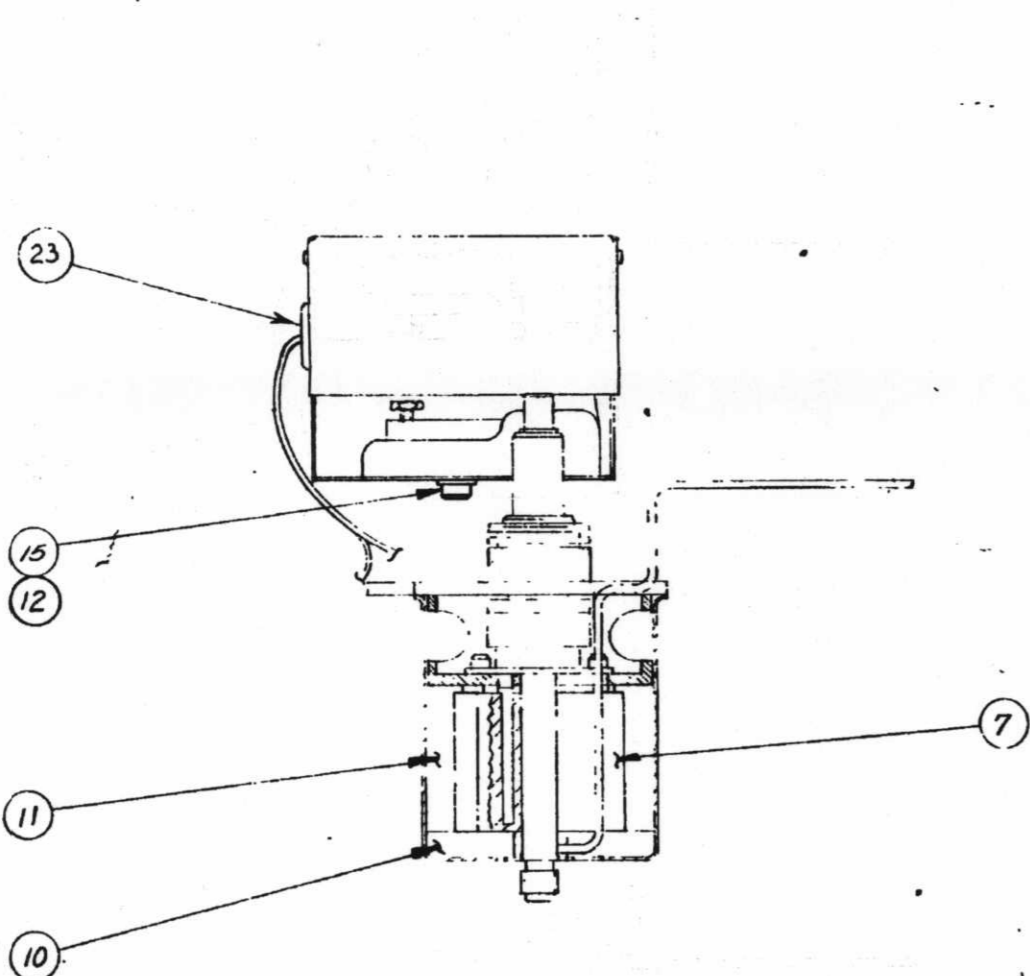
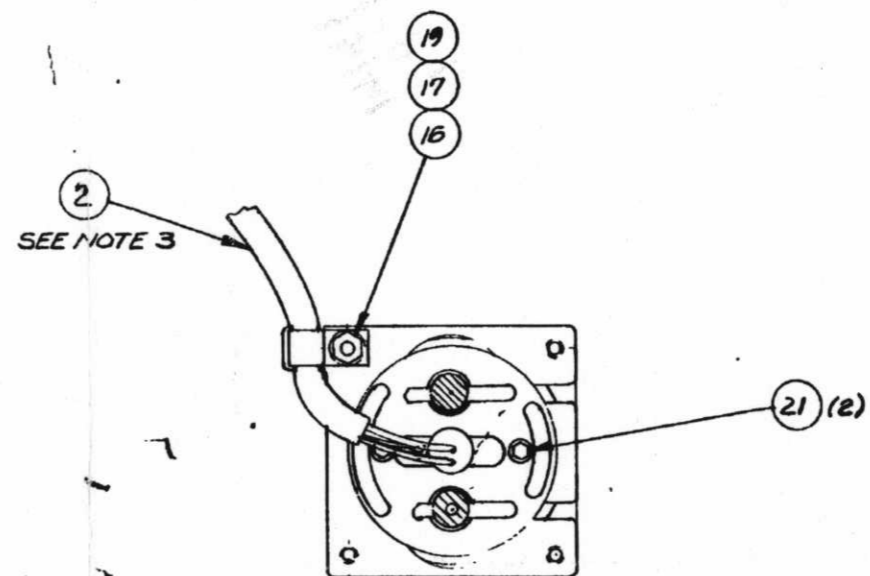
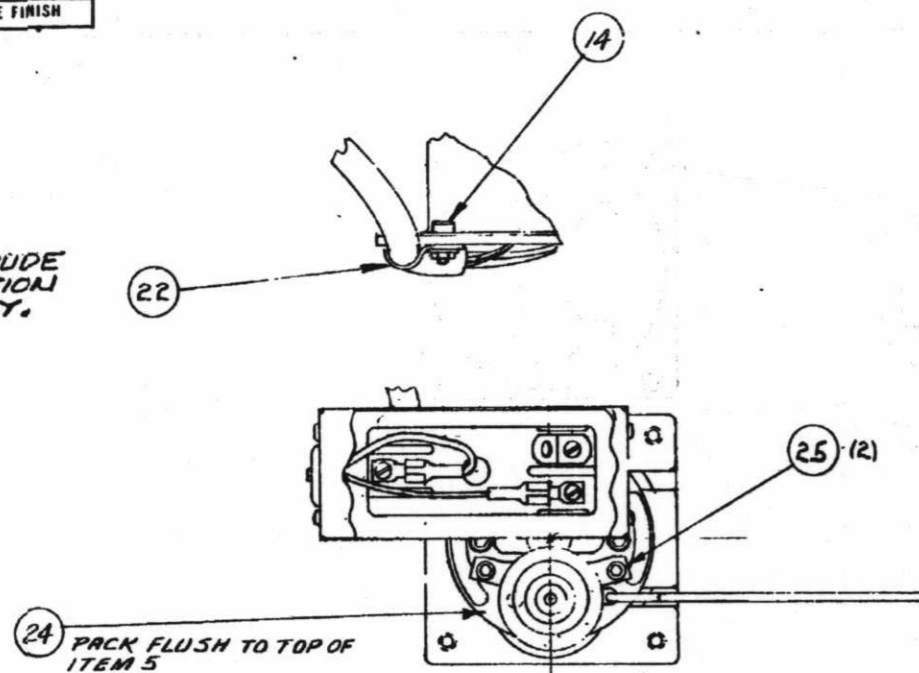


UNLESS OTHERWISE SPECIFIED

| DECIMALS | | FRACTIONS | ANGLES | SURFACE ROUGHNESS | DIMENSIONS ARE IN INCHES |
|----------|---------|-----------|--------|-------------------|---|
| 2 PLACE | 3 PLACE | | | | ALL DIAS. ON SAME AXIS CONC. WITHIN .006 T.I.R. |
| + | + | | | ✓ A. A. MAX | BREAK SHARP EDGES 0.1R. OR .01 X 45° MAX |
| | | | | | ALL DIMENSIONS AND TOL. APPLY BEFORE FINISH |

NOTES:

1. POSITION SHAFT ON ITEM 6 TO PROTRUDE FROM BOTTOM OF ITEM 7 TO DIMENSIONAL SHOWN, BEFORE CLAMPING SECURELY.
2. ASSEMBLE WITH KEY SLOTS IN ITEMS 4, 5 & 7 IN LINE
3. COAT HEATER & SENSOR BODIES ON ITEM 2 WITH HIGH TEMPERATURE LUBRICATING PASTE 0990-8534 BEFORE INSERTING IN HEATER BLOCK - ITEM 7.



MATERIALS LIST

| ITEM | DWG SIZE | P-E NO. | DESCRIPTION | QTY |
|------|----------|-----------|---------------------------------------|-----|
| 1 | C | N600-0209 | ECD ASSY | 1 |
| 2 | C | N600-0259 | HARNES ASSY-ECD 230 V | 1 |
| 3 | | | | |
| 4 | D | N600-1022 | HOUSING-MODULE | 1 |
| 5 | B | N600-1135 | HOUSING-ECD MTG | 1 |
| 6 | B | N600-1141 | SWITCH-ECD THERMAL TRIP | 1 |
| 7 | B | N600-1153 | BLOCK-ECD HEATER | 1 |
| 8 | C | N600-1156 | HOUSING-ECD THERMAL TRIP | 1 |
| 9 | C | N600-1158 | COVER-ECD THERMAL TRIP | 1 |
| 10 | B | N600-1203 | DISC-INSULATION DET | 1 |
| 11 | B | N600-1443 | INSULATION-DET BLOCK | 1 |
| 12 | | 0991-1244 | WASHER FLAT #6 ST STL | 1 |
| 13 | | 0991-0470 | SCR #4-40 X 3/16 LG SOC HD CAP ST STL | 3 |
| 14 | | 0991-0472 | SCR #4-40 X 1/8 LG SOC HD CAP ST STL | 1 |
| 15 | | 0991-0480 | SCR #6-32 X 1/4 LG SOC HD CAP ST STL | 1 |
| 16 | | 0991-1173 | NUT-HEX #4-40 ST STL | 1 |
| 17 | | 0991-1243 | WASHER-FLAT #4 | 1 |
| 18 | | 0991-1571 | SCR #2-56 X 1/4 SELF TAP PHN HD | 4 |
| 19 | | 0991-1729 | L'WASHER-SPLIT #4 | 1 |
| 20 | | | | |
| 21 | | 0990-7437 | SCR #4-40 X 3/16 LG SOC HD CAP ST STL | 4 |
| 22 | | 0998-4709 | STEEL RELIEF | 1 |
| 23 | | 0998-4336 | SPRUMMET | 1 |
| 24 | | | KRO WOOL | 1/2 |
| 25 | | 0990-7441 | SCR #4-40 X 3/16 LG SOC HD CAP | 2 |

IDN600-0030

| REV | DATE | BY | CHKD | DESCRIPTION |
|-----|---------|-------|------|-------------|
| E | 5/2/04 | 12001 | | |
| D | 8/2/01 | 2814 | | |
| C | 7/24/01 | 3789 | | |
| B | 1/19/01 | 1081 | | |
| A | 1/15/01 | 1081 | | |

THESE DRAWINGS AND SPECIFICATIONS ARE THE PROPERTY OF THE PERKIN-ELMER CORPORATION, AND IS ISSUED IN STRICT CONFIDENCE, AND SHALL NOT BE REPRODUCED, OR COPIED, OR USED AS THE BASIS FOR THE MANUFACTURE OR SALE OF APPARATUS, WITHOUT PRIOR WRITTEN PERMISSION.

| DATE | BY | CHKD | DESCRIPTION |
|---------|-------|------|-------------|
| 5/2/04 | 12001 | | |
| 8/2/01 | 2814 | | |
| 7/24/01 | 3789 | | |
| 1/19/01 | 1081 | | |
| 1/15/01 | 1081 | | |

PERKIN-ELMER
MILWAUKEE, WISCONSIN

ECD MODULE-
230 V

IDN600-0030

E