

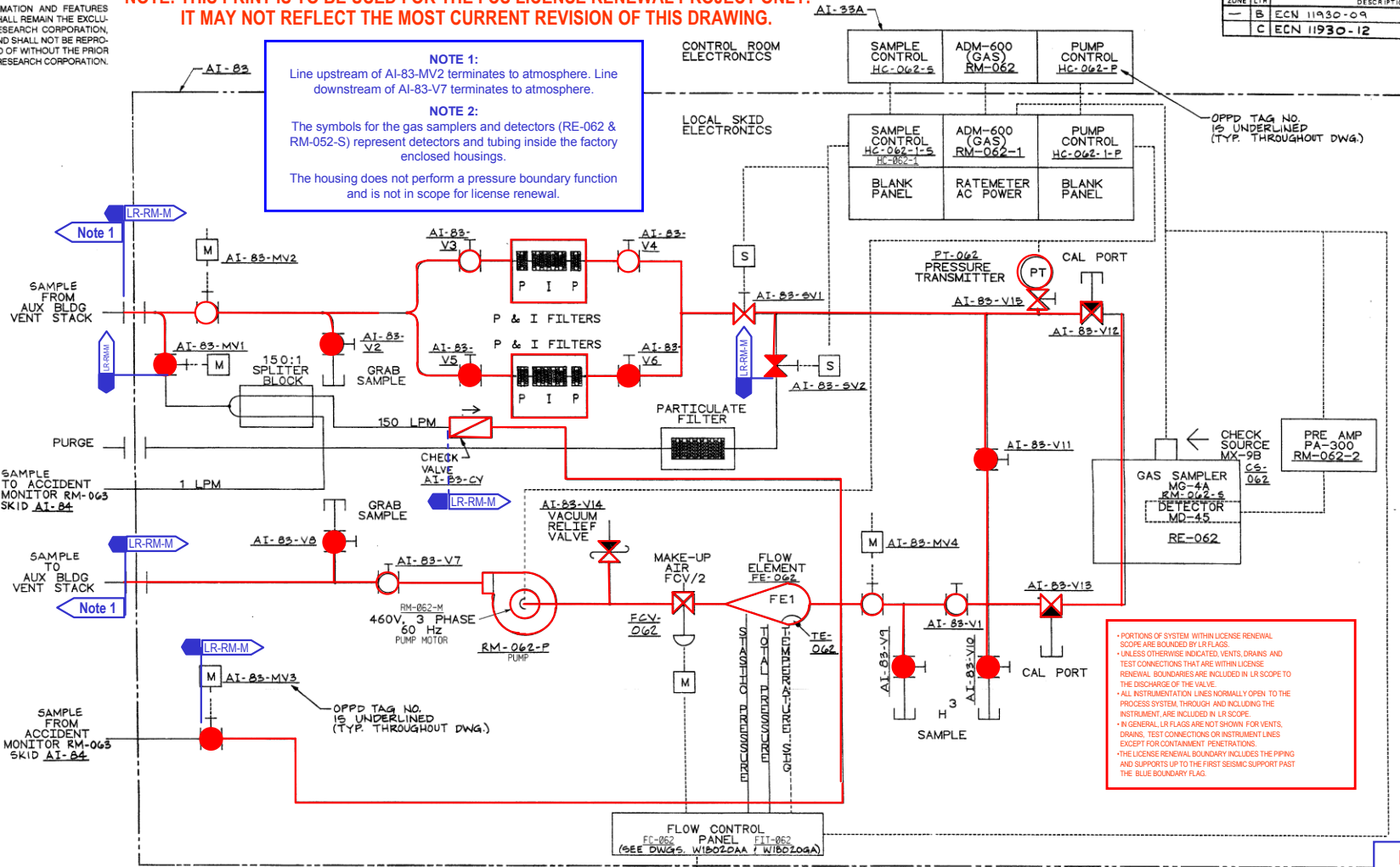
**PROPRIETARY INFORMATION**  
 THIS DRAWING AND ALL INFORMATION AND FEATURES CONTAINED HEREIN ARE AND SHALL REMAIN THE EXCLUSIVE PROPERTY OF NUCLEAR RESEARCH CORPORATION, SHALL BE HELD CONFIDENTIAL AND SHALL NOT BE REPRODUCED OR OTHERWISE DISPOSED OF WITHOUT THE PRIOR WRITTEN CONSENT OF NUCLEAR RESEARCH CORPORATION.

**NOTE: THIS PRINT IS TO BE USED FOR THE FCS LICENSE RENEWAL PROJECT ONLY. IT MAY NOT REFLECT THE MOST CURRENT REVISION OF THIS DRAWING.**

REVISIONS				
ZONE	LTR	DESCRIPTION	DATE	APPROVED
B	ECN 11930-09		3-31-93	<i>[Signature]</i>
C	ECN 11930-12		6-2-93	<i>[Signature]</i>

**NOTE 1:**  
 Line upstream of AI-83-MV2 terminates to atmosphere. Line downstream of AI-83-V7 terminates to atmosphere.

**NOTE 2:**  
 The symbols for the gas samplers and detectors (RE-062 & RM-052-S) represent detectors and tubing inside the factory enclosed housings.  
 The housing does not perform a pressure boundary function and is not in scope for license renewal.



PORTIONS OF SYSTEM WITHIN LICENSE RENEWAL SCOPE ARE BOUNDED BY DFLAGS.  
 UNLESS OTHERWISE INDICATED, VENTS, DRAINS AND TEST CONNECTIONS THAT ARE WITHIN LICENSE RENEWAL BOUNDARIES ARE INCLUDED IN LR SCOPE TO THE DISCHARGE OF THE VALVE.  
 ALL INSTRUMENTATION LINES NORMALLY OPEN TO THE PROCESS SYSTEM THROUGH AND INCLUDING THE INSTRUMENT ARE INCLUDED IN LR SCOPE.  
 IN GENERAL, LR FLAGS ARE NOT SHOWN FOR VENTS, DRAINS, TEST CONNECTIONS OR INSTRUMENT LINES EXCEPT FOR CONTAMINANT PENETRATIONS.  
 THE LICENSE RENEWAL BOUNDARY INCLUDES THE PIPING AND SUPPORTS UP TO THE FIRST SEISMIC SUPPORT PAST THE BLUE BOUNDARY FLAG.

- NOTES:**
- AI-83-V12 AND AI-83-V13 ARE 3-WAY VALVES. 180 DEGREES SWITCHING ACTUATION AND 90 DEGREES ACTUATION FOR CENTER OFF POSITION.
  - ALL CHANNEL ELECTRONICS CAN BE INSULATED FROM CHASSIS/SKID GROUNDS USING INSULATING WASHERS, TAPE, GASKET MATERIAL OR OTHER APPROPRIATE INSULATING MATERIAL.

10-50 mA FLOW SIGNAL FROM AUX BLDG VENT STACK (USING STACK FLOW TRANSMITTER)

**FOR INFORMATION ONLY**

**EA-FC-00-115 DF 6/02**

UNLESS OTHERWISE SPECIFIED DIMENSIONS ARE IN INCHES TOLERANCES ARE FRACTIONS DECIMALS ANGLES TOLERANCES FRACTIONS DECIMALS ANGLES		DRAWN: <i>[Signature]</i> DATE: 1-28-93 CHECKED: <i>[Signature]</i> DATE: 1-28-93 APPROVED: <i>[Signature]</i> DATE: 1-28-93	<b>NRC</b> NUCLEAR RESEARCH CORPORATION WARRINGTON, PA 18976 U.S.A.
PURCHASE ORDER: BP18330 RADIATION MONITORING SYSTEM MARK: RM-062 FORT CALHOUN STATION OMAHA PUBLIC POWER DISTRICT		TITLE: PIPING AND INSTRUMENTATION DIAGRAM, CAM-100G (V2) RM-062 SIZE: D CASE CODE: 96696 DRAWING NO: 801104-001 REV: C	PROJECT ENGINEERING DIVISION REV. SH. 37027 FILE 43122 3
NEXT ASSEMBLY: CAM-100G (V2) APPLICATION:	13360L	SCALE:	SHEET 1 OF 1

**CQE**  
 Nuclear Safety Related