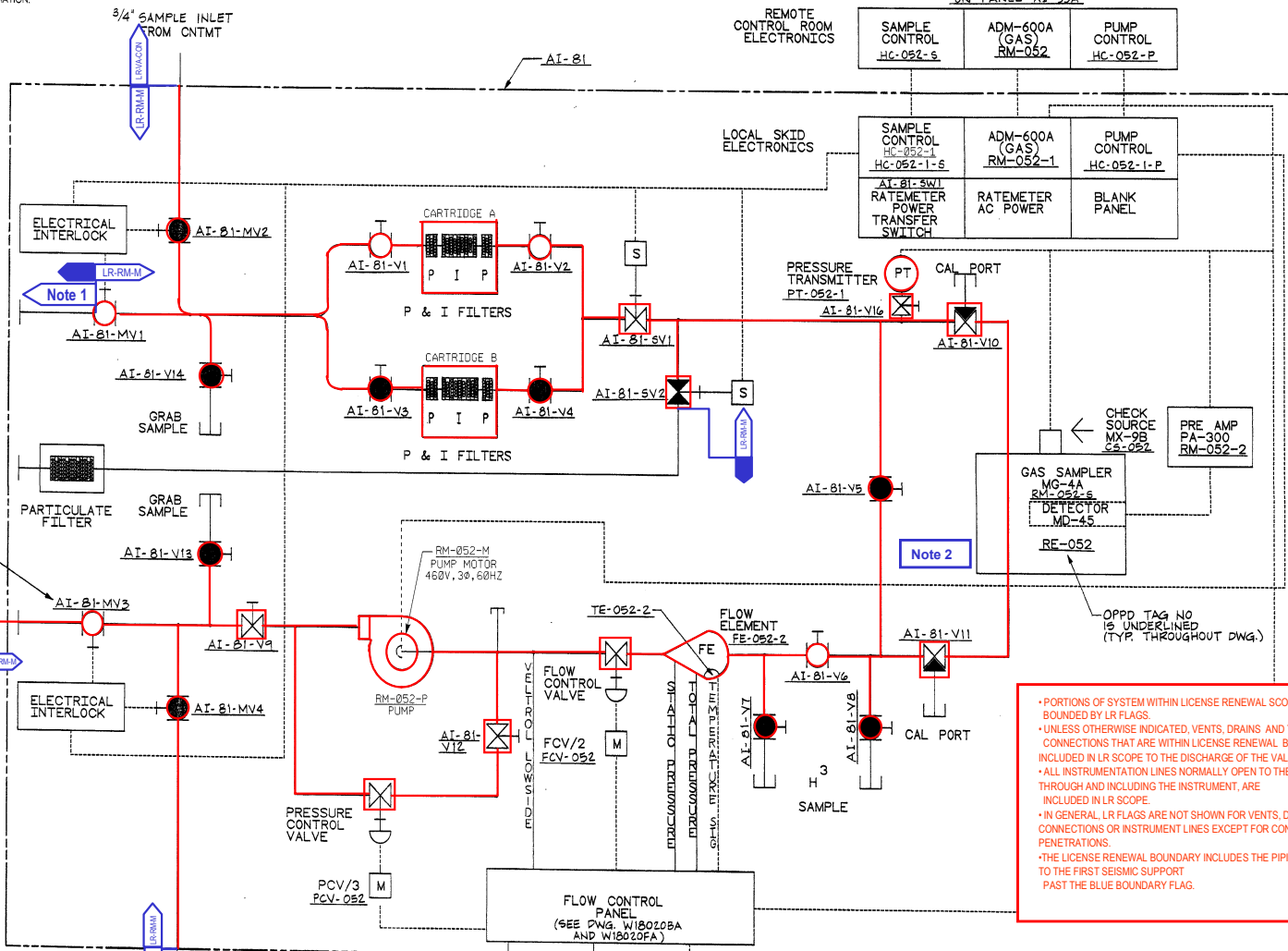


**PROPRIETARY INFORMATION**  
 THIS DRAWING AND ALL INFORMATION AND FEATURES CONTAINED HEREIN ARE AND SHALL REMAIN THE EXCLUSIVE PROPERTY OF NUCLEAR RESEARCH CORPORATION, SHALL BE HELD CONFIDENTIAL AND SHALL NOT BE REPRODUCED OR OTHERWISE DISPOSED OF WITHOUT THE PRIOR WRITTEN CONSENT OF NUCLEAR RESEARCH CORPORATION.

**NOTE: THIS PRINT IS TO BE USED FOR THE FCS LICENSE RENEWAL PROJECT ONLY. IT MAY NOT REFLECT THE MOST CURRENT REVISION OF THIS DRAWING.**

REVISIONS				
ZONE	LTR	DESCRIPTION	DATE	APPROVED
B	ECN 11930-09		3-31-93	<i>[Signature]</i>
C	ECN 11937-03		5-10-93	<i>[Signature]</i>
D	ECN 11930-03		6-2-93	<i>[Signature]</i>



**NOTE 1:**  
 Line downstream of AI-81-MV1 terminates to atmosphere.

**NOTE 2:**  
 The symbols for the gas samplers and detectors (RE-052 & RM-052-S) represent detectors and tubing inside the factory enclosed housings.

The housing does not perform a pressure boundary function and is not in scope for license renewal.

• PORTIONS OF SYSTEM WITH LICENSE RENEWAL SCOPE ARE BOUNDED BY LR FLAGS.  
 • UNLESS OTHERWISE INDICATED, VENTS, DRAINS AND TEST CONNECTIONS THAT ARE WITHIN LICENSE RENEWAL BOUNDARIES ARE INCLUDED IN LR SCOPE TO THE DISCHARGE OF THE VALVE.  
 • ALL INSTRUMENTATION LINES NORMALLY OPEN TO THE PROCESS SYSTEM, THROUGH AND INCLUDING THE INSTRUMENT, ARE INCLUDED IN LR SCOPE.  
 • IN GENERAL, LR FLAGS ARE NOT SHOWN FOR VENTS, DRAINS, TEST CONNECTIONS OR INSTRUMENT LINES EXCEPT FOR CONTAINMENT PENETRATIONS.  
 • THE LICENSE RENEWAL BOUNDARY INCLUDES THE PIPING AND SUPPORTS UP TO THE FIRST SEISMIC SUPPORT PAST THE BLUE BOUNDARY FLAG.

**EA-FC-00-115 DF 6/02**

REV. SH.	37026	REV.	3
FILE	42985	DATE	6/20/00

**NUCLEAR RESEARCH CORPORATION**  
 WASHINGTON, PA 15074 U.S.A.

PIPING AND INSTRUMENTATION DIAGRAM, CAM-100G (VI) RM-052

SIZE	D	CODE	96696	DRAWING NO.	800997-001	REV.	D
------	---	------	-------	-------------	------------	------	---

UNLESS OTHERWISE SPECIFIED DIMENSIONS ARE IN INCHES	DATE	9-30-92
FRACTIONS TO DECIMALS ANGLES TO 1 P	CHECKED	<i>[Signature]</i>
PURCHASE ORDER # 818330 RADIATION MONITORING SYSTEM MARK# RM-052 FORT CALHOUN STATION OMAHA PUBLIC POWER DISTRICT	APPROVED	<i>[Signature]</i>
CONTRACT NO.		
NEXT ASSEMBLY USED ON		
APPLICATION		

SCALE	13360L
SHEET	1 OF 1

**FOR INFORMATION ONLY**

- NOTES:**
- AI-81-V10 AND AI-81-V11 ARE 3-WAY VALVES. 180 DEGREE SWITCHING ACTUATION AND 90 DEGREE ACTUATION FOR CENTER OFF POSITION.
  - ALL CHANNEL ELECTRONICS CAN BE INSULATED FROM CHASSIS/SKID GROUNDS USING INSULATING WASHERS, TAPE, GASKET MATERIAL OR OTHER APPROPRIATE INSULATING MATERIAL.

**CQE**  
 Nuclear Safety Related