

**PROPRIETARY INFORMATION**  
 THIS DRAWING AND ALL INFORMATION AND FEATURES CONTAINED HEREIN ARE AND SHALL REMAIN THE EXCLUSIVE PROPERTY OF NUCLEAR RESEARCH CORPORATION, SHALL BE HELD CONFIDENTIAL AND SHALL NOT BE REPRODUCED OR OTHERWISE DISPOSED OF WITHOUT THE PRIOR WRITTEN CONSENT OF NUCLEAR RESEARCH CORPORATION.

**NOTE: THIS PRINT IS TO BE USED FOR THE FCS LICENSE RENEWAL PROJECT ONLY.  
 IT MAY NOT REFLECT THE MOST CURRENT REVISION OF THIS DRAWING.**

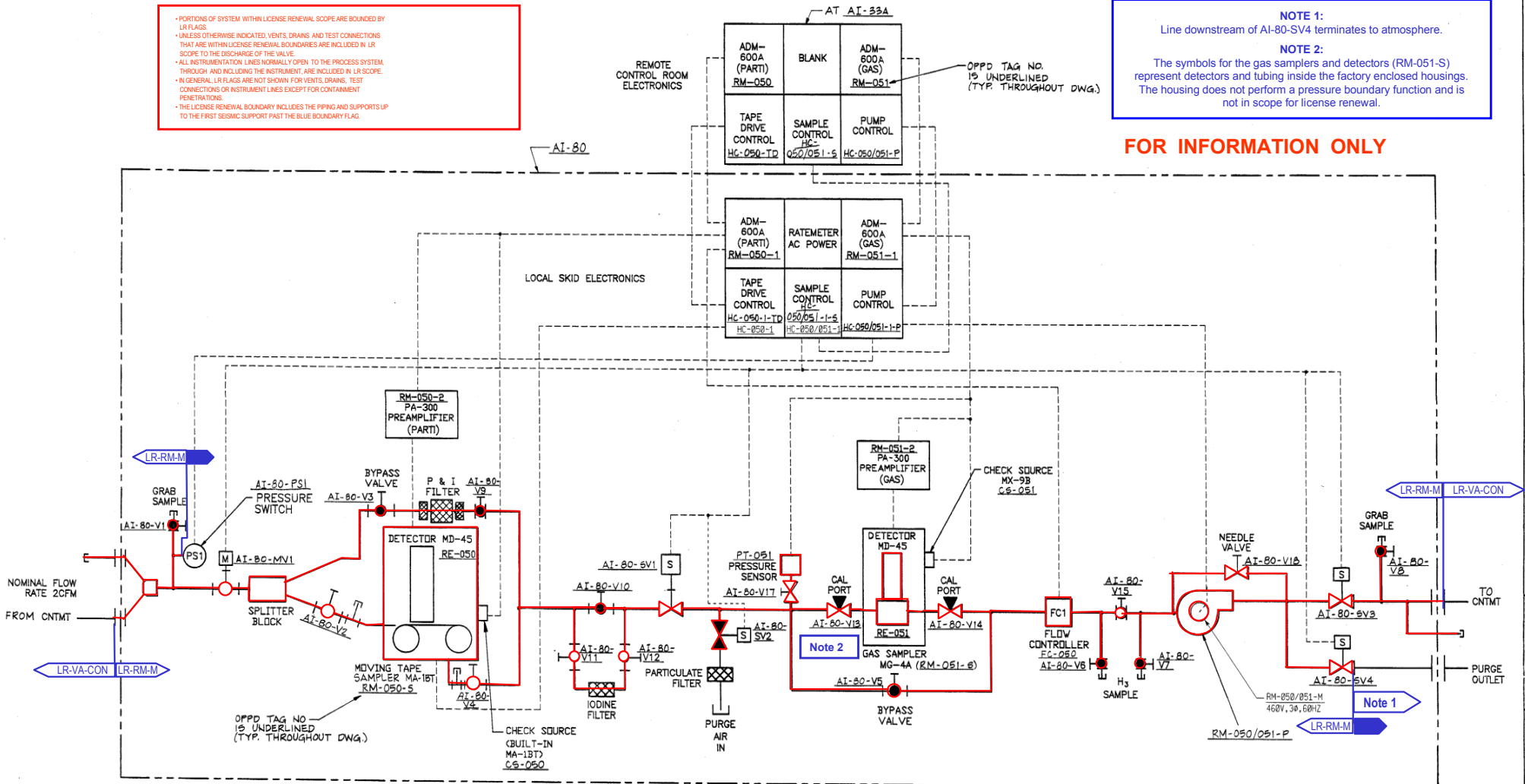
REVISIONS				
ZONE	LTR	DESCRIPTION	DATE	APPROVED
E	ECN	11930-09	3-31-93	[Signature]
F	ECN	11930-12	6-2-93	[Signature]

• PORTIONS OF SYSTEM WITHIN LICENSE RENEWAL SCOPE ARE BOUNDED BY LR FLAGS.  
 • UNLESS OTHERWISE INDICATED, VENTS, DRAINS, AND TEST CONNECTIONS THAT ARE WITHIN LICENSE RENEWAL BOUNDARIES ARE INCLUDED IN LR SCOPE TO THE DISCHARGE OF THE VALVE.  
 • ALL INSTRUMENTATION LINES NORMALLY OPEN TO THE PROCESS SYSTEM THROUGH AND INCLUDING THE INSTRUMENT, ARE INCLUDED IN LR SCOPE.  
 • IN GENERAL, LR FLAGS ARE NOT SHOWN FOR VENTS, DRAINS, TEST CONNECTIONS OR INSTRUMENT LINES EXCEPT FOR CONTAMINATION PENETRATIONS.  
 • THE LICENSE RENEWAL BOUNDARY INCLUDES THE PIPING AND SUPPORTS UP TO THE FIRST SEISMIC SUPPORT PAST THE BLUE BOUNDARY FLAG.

**NOTE 1:**  
 Line downstream of AI-80-SV4 terminates to atmosphere.

**NOTE 2:**  
 The symbols for the gas samplers and detectors (RM-051-S) represent detectors and tubing inside the factory enclosed housings. The housing does not perform a pressure boundary function and is not in scope for license renewal.

**FOR INFORMATION ONLY**



**NOTES:**

- AI-80-V13 AND AI-80-V14 ARE 3-WAY VALVES. 180° SWITCHING ACTUATION AND 90° ACTUATION FOR CENTER OFF POSITION.
- ALL CHANNEL ELECTRONICS CAN BE INSULATED FROM CHASSIS/SKID GROUNDS USING INSULATING WASHERS, TAPE, GASKET MATERIAL OR OTHER APPROPRIATE INSULATING MATERIAL.

**CQE**  
 Nuclear Safety Related

**EA-FC-00-115 DF 6/02**

UNLESS OTHERWISE SPECIFIED DIMENSIONS ARE IN INCHES FRACTIONS DECIMALS ANGLES 1/16 0.0625 30° 30'		DATE: 1-12-93 CHECKED: [Signature] 3/31/93 APPROVED: [Signature] 3-31-93 CONTRACT NO.	NRC NUCLEAR RESEARCH CORPORATION WARRINGTON, PA 15388 U.S.A.
PURCHASE ORDER NO. BP18330 RADIATION MONITORING SYSTEM MARK NO. RM-050/RM-051 FORT CALHOUN STATION OMAHA PUBLIC POWER DISTRICT		TITLE: PIPING AND INSTRUMENTATION DIAGRAM CAM-200A PGM (V1) RM-050 & RM-051	
FORT CALHOUN STATION PROJECT NO. 37024 REV. SH. 37024 FILE 42969	REV. 4 6/26/00	SIZE: D CASE CODE: 96696 DRAWING NO.: 703741-001 SCALE: NONE	SHEET 1 OF 1

703741-001