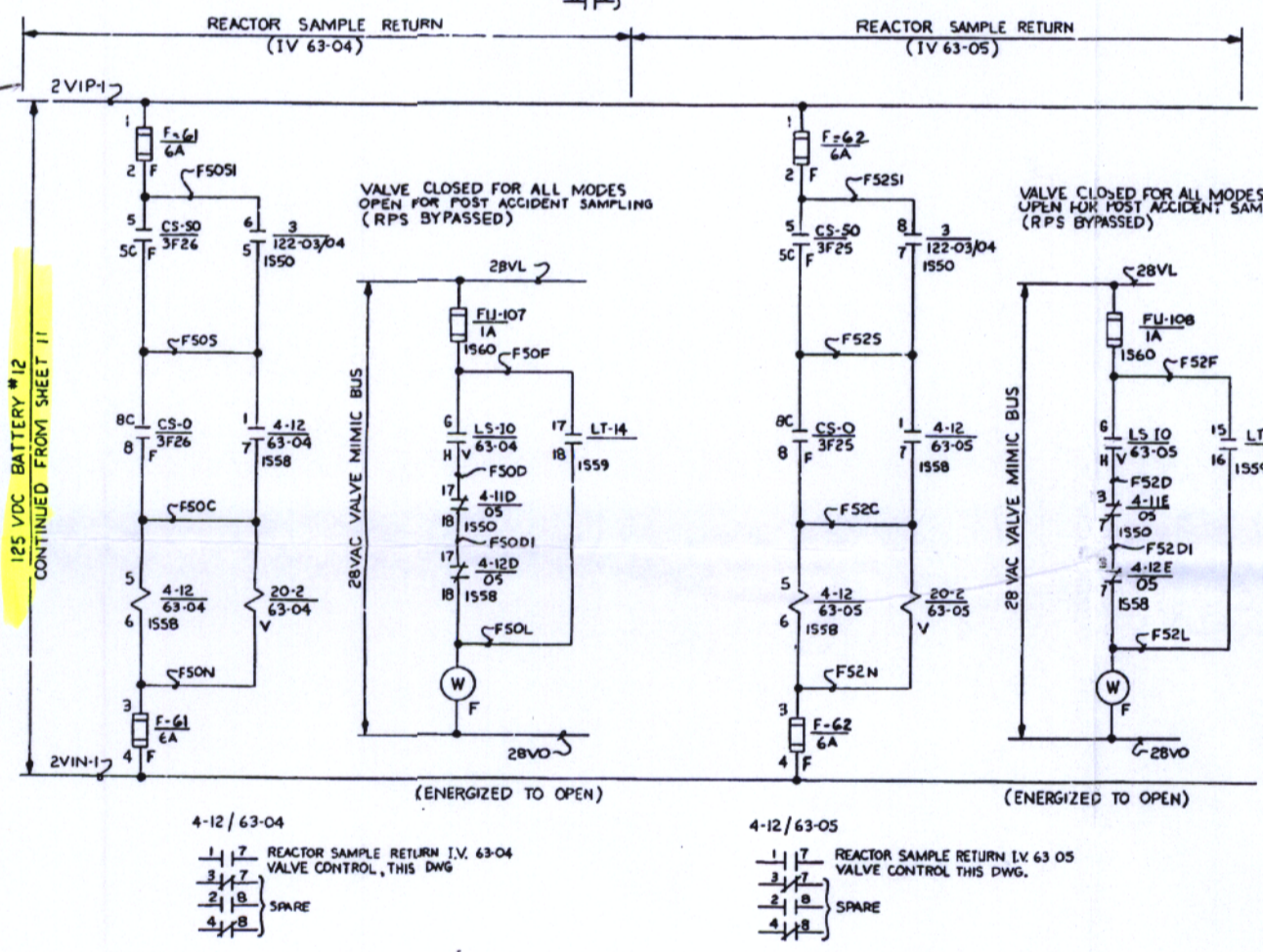
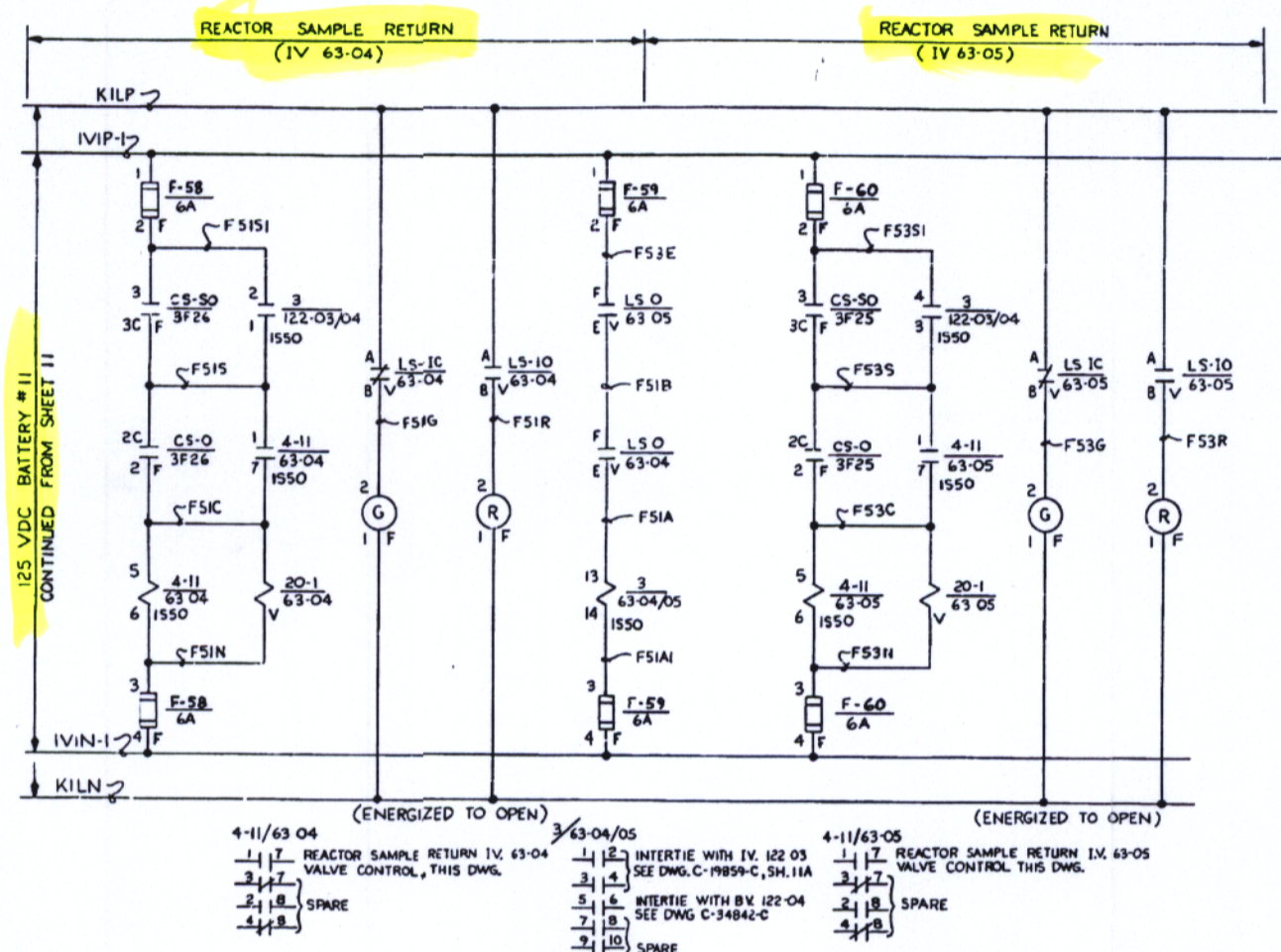


21 NO INCO V11
C-19859-C



See Sheet # 10

SEE VDC BATTERY #12 CONTINUED FROM SHEET #11

DEVICE LOCATIONS
 1550-AUX. CONT. CAB. 1550, SEE DWG. # C-26992-C
 1558-AUX. CONT. CAB. 1558, SEE DWG. # C-26997-C
 1559-AUX. CONT. CAB. 1559, SEE DWG. # C-23090-C
 1560-AUX. CONT. CAB. 1560, SEE DWG. # C-23092-C
 F - CONTROL BOARD PANEL, F, SEE DWG. # C-23073-C
 V - LOCAL AT VALVE

NOTE: THIS DRAWING WAS SCANNED ON CADD PER REVISION 4. THIS DRAWING SUPERSEDES DRAWING OF THE SAME NUMBER AND SHEET.

ORIGINAL
 CRITICAL DRAWING

THIS DRAWING CONTAINS RASTER DATA

NOTE: THIS DRAWING WAS CREATED USING COMPUTER AIDED DRAFTING DO NOT MAKE MANUAL CHANGES

DOCUMENT USER: CONSULT APPLICABLE DOCUMENT CONTROL SYSTEM TO OBTAIN LATEST DOCUMENT INFORMATION

NIAGARA MOHAWK		STA NINE MILE POINT NUCLEAR STATION UNIT NO. 1
APP M SCHAYONE	APP P FINNERTY	ELEMENTARY WIRING DIAGRAM
APP GJ GRESOCK	APP	REACTOR PROTECTION SYSTEM
DES TAS	DR RY	VESSEL ISOLATION
DATE 3-15-84	DWG NO C-19859-C	INDEX 3-N2.1-E21.2
SCALE NONE	SH 11A	REV -

R. D.	REFERENCE DESCRIPTION	DWG. NO.	SH. NO.	INDEX NO.

REV.	DATE	BY	CHKD.	APP.	REMARKS
4	28-94	TPS	94001	0000	1951

SH. 11A CONT. ON SH. 12