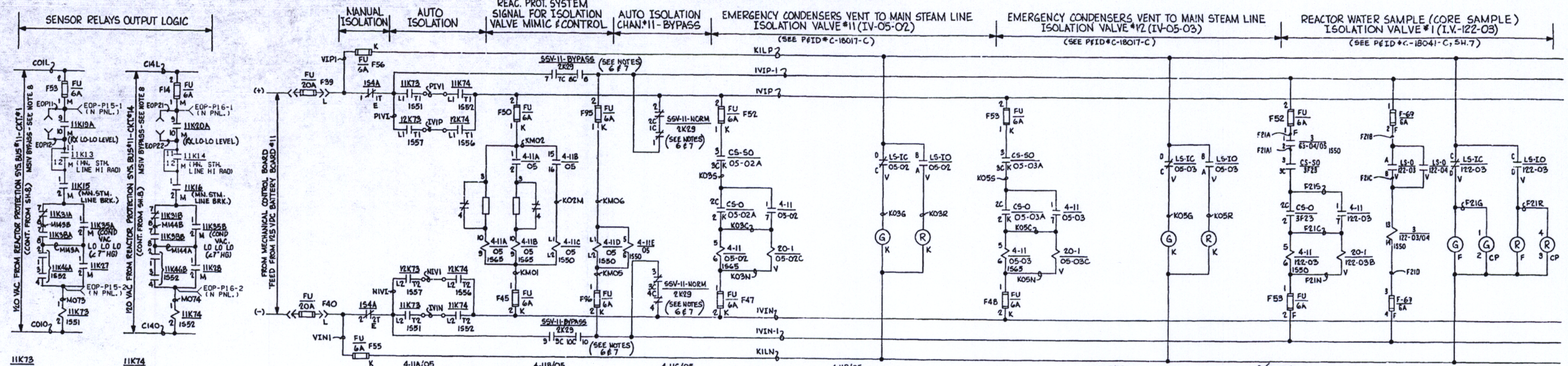


VESSEL ISOLATION-CHANNEL #11



11K73
11K74
11K75
11K76
11K77
11K78
11K79
11K80
11K81
11K82
11K83
11K84
11K85
11K86
11K87
11K88
11K89
11K90
11K91
11K92
11K93
11K94
11K95
11K96
11K97
11K98
11K99
11K100

4-11A/05
4-11B/05
4-11C/05
4-11D/05
4-11E/05
4-11F/05
4-11G/05
4-11H/05
4-11I/05
4-11J/05
4-11K/05
4-11L/05
4-11M/05
4-11N/05
4-11O/05
4-11P/05
4-11Q/05
4-11R/05
4-11S/05
4-11T/05
4-11U/05
4-11V/05
4-11W/05
4-11X/05
4-11Y/05
4-11Z/05

4-11C/05
4-11D/05
4-11E/05
4-11F/05
4-11G/05
4-11H/05
4-11I/05
4-11J/05
4-11K/05
4-11L/05
4-11M/05
4-11N/05
4-11O/05
4-11P/05
4-11Q/05
4-11R/05
4-11S/05
4-11T/05
4-11U/05
4-11V/05
4-11W/05
4-11X/05
4-11Y/05
4-11Z/05

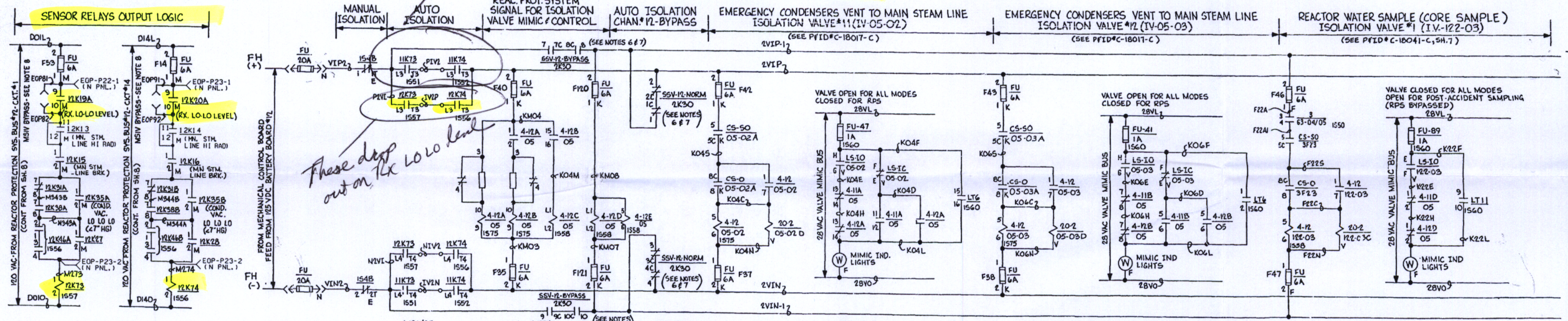
4-11E/05
4-11F/05
4-11G/05
4-11H/05
4-11I/05
4-11J/05
4-11K/05
4-11L/05
4-11M/05
4-11N/05
4-11O/05
4-11P/05
4-11Q/05
4-11R/05
4-11S/05
4-11T/05
4-11U/05
4-11V/05
4-11W/05
4-11X/05
4-11Y/05
4-11Z/05

4-11E/05
4-11F/05
4-11G/05
4-11H/05
4-11I/05
4-11J/05
4-11K/05
4-11L/05
4-11M/05
4-11N/05
4-11O/05
4-11P/05
4-11Q/05
4-11R/05
4-11S/05
4-11T/05
4-11U/05
4-11V/05
4-11W/05
4-11X/05
4-11Y/05
4-11Z/05

LOCATION OF DEVICES
E-CONSOLE
F-CONTROL BOARD PANEL "F"
K-CONTROL BOARD PANEL "K"
L-CONTROL BOARD PANEL "L"
M-CONTROL BOARD PANEL "M"
V-AT VALVE
CP-REACTOR WATER SAMPLE CONTROL PANEL

FOR SOLENOID OPERATION SEE NOTE 4

VESSEL ISOLATION-CHANNEL #12



11K73
11K74
11K75
11K76
11K77
11K78
11K79
11K80
11K81
11K82
11K83
11K84
11K85
11K86
11K87
11K88
11K89
11K90
11K91
11K92
11K93
11K94
11K95
11K96
11K97
11K98
11K99
11K100

4-12A/05
4-12B/05
4-12C/05
4-12D/05
4-12E/05
4-12F/05
4-12G/05
4-12H/05
4-12I/05
4-12J/05
4-12K/05
4-12L/05
4-12M/05
4-12N/05
4-12O/05
4-12P/05
4-12Q/05
4-12R/05
4-12S/05
4-12T/05
4-12U/05
4-12V/05
4-12W/05
4-12X/05
4-12Y/05
4-12Z/05

4-12C/05
4-12D/05
4-12E/05
4-12F/05
4-12G/05
4-12H/05
4-12I/05
4-12J/05
4-12K/05
4-12L/05
4-12M/05
4-12N/05
4-12O/05
4-12P/05
4-12Q/05
4-12R/05
4-12S/05
4-12T/05
4-12U/05
4-12V/05
4-12W/05
4-12X/05
4-12Y/05
4-12Z/05

4-12E/05
4-12F/05
4-12G/05
4-12H/05
4-12I/05
4-12J/05
4-12K/05
4-12L/05
4-12M/05
4-12N/05
4-12O/05
4-12P/05
4-12Q/05
4-12R/05
4-12S/05
4-12T/05
4-12U/05
4-12V/05
4-12W/05
4-12X/05
4-12Y/05
4-12Z/05

4-12E/05
4-12F/05
4-12G/05
4-12H/05
4-12I/05
4-12J/05
4-12K/05
4-12L/05
4-12M/05
4-12N/05
4-12O/05
4-12P/05
4-12Q/05
4-12R/05
4-12S/05
4-12T/05
4-12U/05
4-12V/05
4-12W/05
4-12X/05
4-12Y/05
4-12Z/05

4-12E/05
4-12F/05
4-12G/05
4-12H/05
4-12I/05
4-12J/05
4-12K/05
4-12L/05
4-12M/05
4-12N/05
4-12O/05
4-12P/05
4-12Q/05
4-12R/05
4-12S/05
4-12T/05
4-12U/05
4-12V/05
4-12W/05
4-12X/05
4-12Y/05
4-12Z/05

NOTES:

- 1) FOR SWITCH DEVELOPMENTS, SEE DWG C19954C (E21)
- 2) FOR ADDITIONAL FUSE INFORMATION CONSULT THE MEL-1 DATA BASE.
- 3) N/A
- 4) ENERGIZING EITHER SOLENOID PILOT (20-1 OR 20-2) OF ANY VALVE WILL PRESSURIZE BIPHASEM TO OPEN THAT VALVE
- 5) MAIN STEAM ISOLATION INITIATED BY A REACTOR PRESSURE ≥ 850 PSIA WHILE IN THE RUN MODE
- 6) SELECTOR SWITCHES 55V-11/2K29 & 55V-12/2K30 USED FOR BYPASS OF AUTO VESSEL ISOLATION SIGNALS; CONTACTS (7-7C, 8-8C, 9-9C, 10-10C) / PEN IN NORMAL POSITION / CLOSED IN BYPASS POSITION; CONTACTS (1-1C, 2-2C, 3-3C, 4-4C) CLOSED IN NORMAL POSITION / OPEN IN BYPASS POSITION - SEE DWG C-19954-C, SH.5 (E21)
- 7. BY-PASS SWITCH IS USED TO ENABLE MANUAL OPERATION OF REACTOR WATER ISOLATION VALVES AFTER AN AUTO ISOLATION OPERATION
- 8. MSIV ISOL. BYPASS JUMPER USED IN ACCORDANCE WITH EOP-3.0, 7.2, 8.0, 9.0 (LOCATED IN TRAYS).

THIS DRAWING WAS REDRAWN ON CADD PER REV. #31. THIS DRAWING SUPERSEDES DRAWING OF THE SAME NUMBER AND SHEET.

THIS DRAWING CONTAINS RASTER DATA

CRITICAL DRAWING

NOTE: THIS DRAWING WAS CREATED USING COMPUTER AIDED DRAFTING. DO NOT MAKE MANUAL CHANGES

APP. J. WHITFORD		APP. W. P. NOWICKI		STA. NINE MILE POINT NUCLEAR STATION UNIT NO. 1		
ELEMENTARY WIRING DIAGRAM				INDEX		
REACTOR PROTECTION SYSTEM				3-N2.1-E21.2		
VESSEL ISOLATION				10		
REV	DATE	BY	DESCRIPTION	CHK	APP	MF
34	11/11/81	W/P	REV. PER DER 1-95-01 61			
DNG NO. C-19859-C				SCALE: NONE		
INDEX: 3-N2.1-E21.2				SHEET: 10		

REV	DATE	BY	DESCRIPTION	CHK	APP	MF
34	11/11/81	W/P	REV. PER DER 1-95-01 61			

CONT. ON SH. #10A