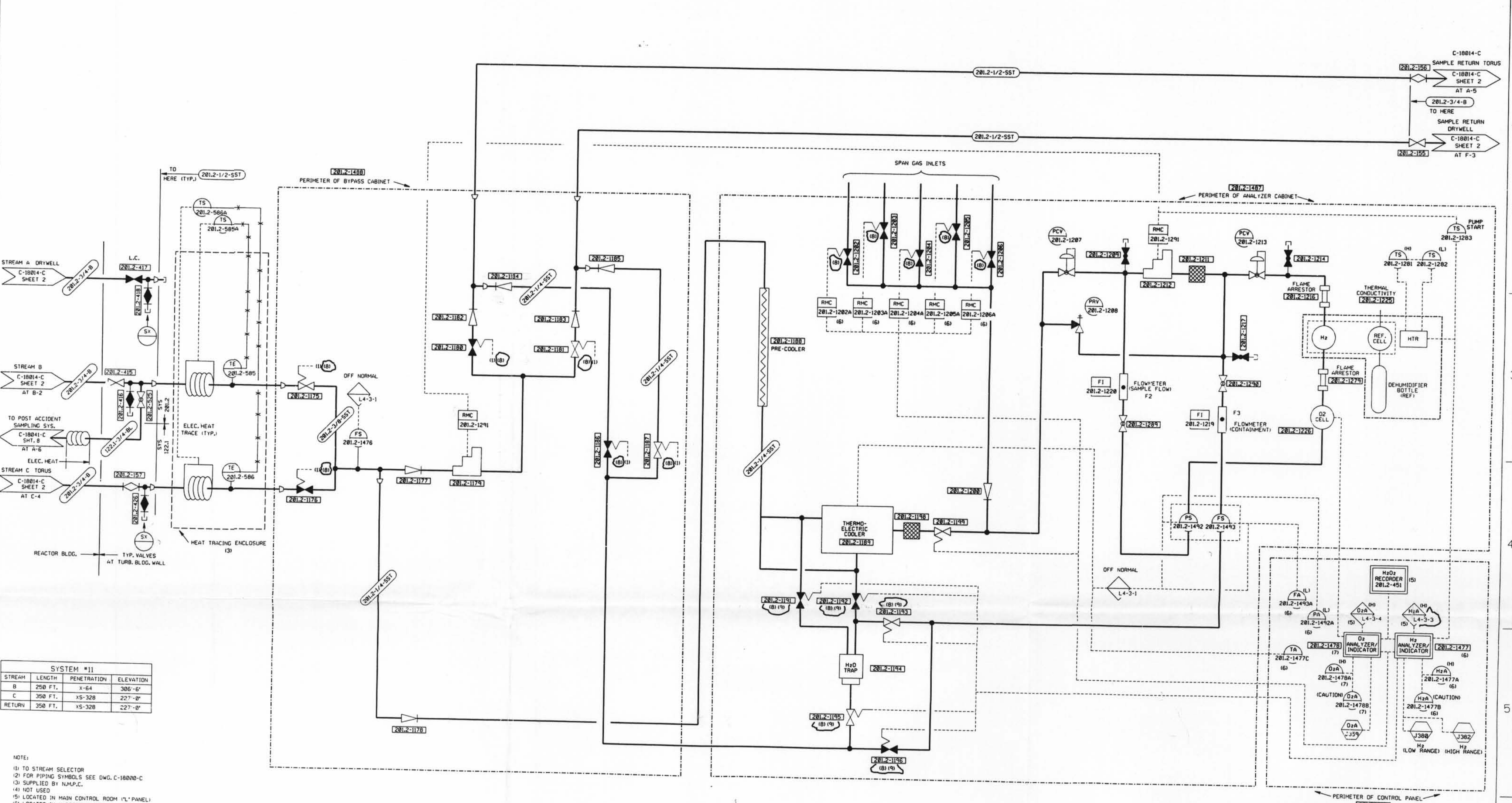


C-26949-C



SYSTEM #11			
STREAM	LENGTH	PENETRATION	ELEVATION
B	250 FT.	X-64	306'-6"
C	350 FT.	X5-328	227'-0"
RETURN	350 FT.	X5-328	227'-0"

- NOTE:
- (1) TO STREAM SELECTOR
 - (2) FOR PIPING SYMBOLS SEE DWG. C-18000-C
 - (3) SUPPLIED BY N.M.P.C.
 - (4) NOT USED
 - (5) LOCATED IN MAIN CONTROL ROOM ("L" PANEL)
 - (6) LOCATED IN HYDROGEN MODULE
 - (7) LOCATED IN OXYGEN MODULE
 - (8) SOFT FAIL CLOSED WHEN DE-ENERGIZED.
 - (9) WATER PURGE VALVES ARE SHOWN IN THE "PURGE" POSITION, THEY ARE NORMALLY IN THE OPPOSITE POSITION.

CRITICAL DRAWING

NOTE: THIS DRAWING WAS CREATED USING COMPUTER AIDED DRAFTING. DO NOT MAKE MANUAL CHANGES.

ORIGINAL

APP LNH		APP	STA NINE MILE POINT NUCLEAR STATION UNIT NO. 1	
APP WH	APP	PRIMARY MONITOR ATMOSPHERE H2-O2 CONTAINMENT SYSTEM #11		
DES DR	DATE	P & I DIAGRAM		
REV	DATE	BY	SCALE	DWG NO.
15	10/4/80	PHJ	NONE	C-26949-C
15	12/7/95	JAP		3-N2.1-S18.9
REV		DATE	BY	REMARKS
				REVISED AND REDRAWN PER MOD N193013 INC PER N193013, C081, N194801, 0276 INC PER N193013, 0815, L0824 IN-STATUS!
CK	APP	MF		