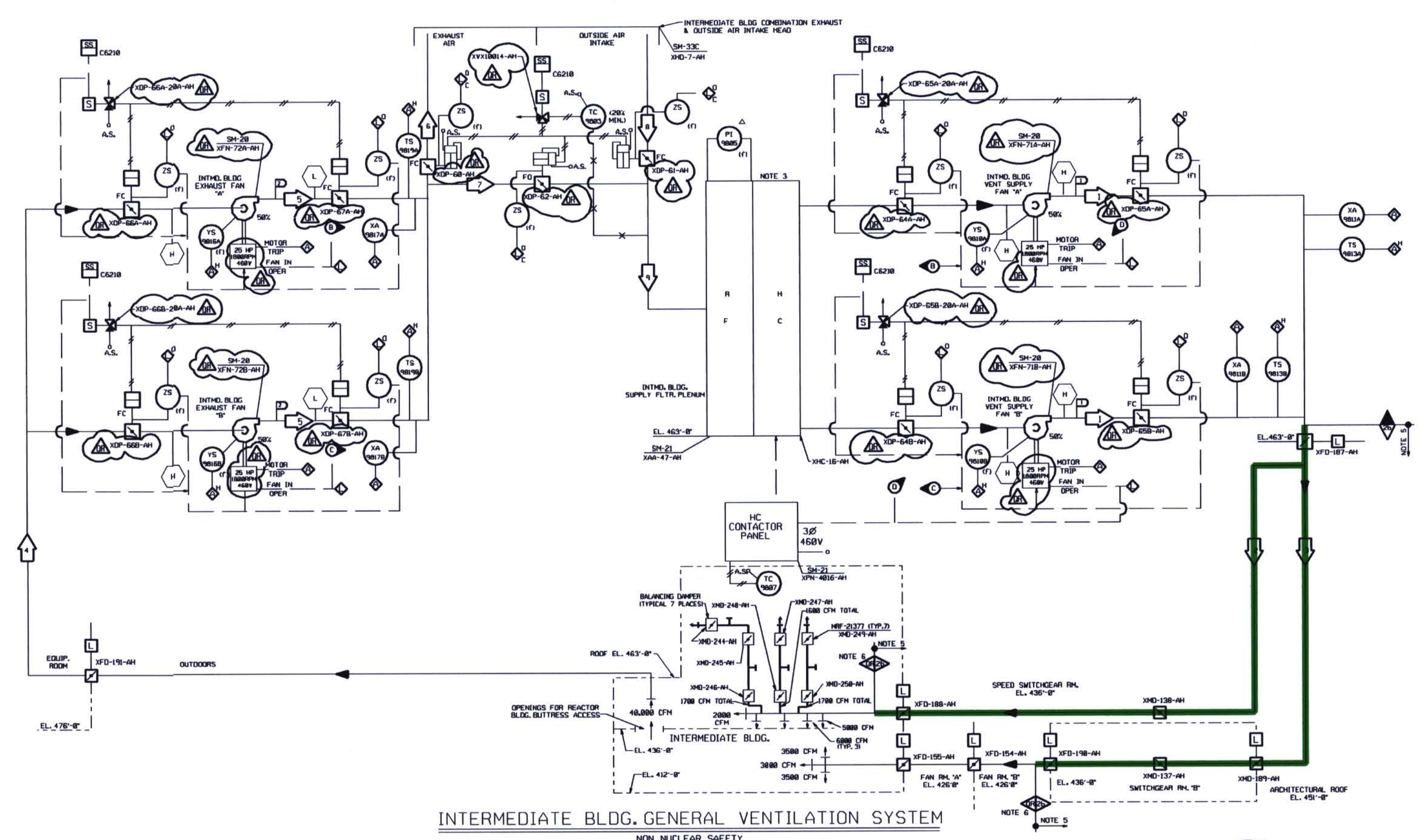


SYS. OPER. DATA		
#	AIR FLOW ACFM	AIR TEMP °F
1	20,000	65-95
2	30,000	65-95
3	10,000	65-95
4	40,000	65-104
5	20,000	65-104
6	EL. 420' TO EL. 425'	65-104
7	32,000 TO 8	65-104
8	EL. 420' TO EL. 425'	19-95
9	40,000	55-95
10	2600	56
11	3600	56

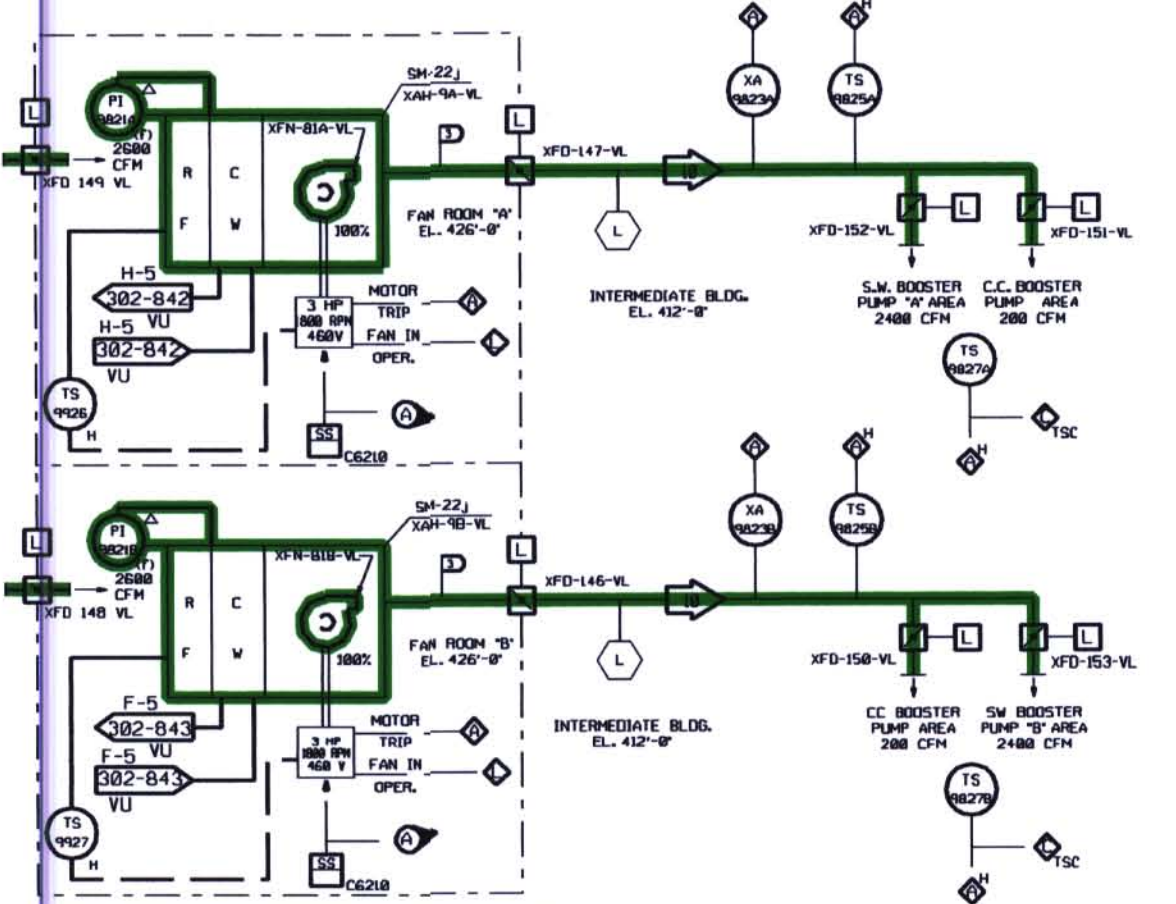


INTERMEDIATE BLDG. GENERAL VENTILATION SYSTEM  
NON NUCLEAR SAFETY  
EXCEPT AS NOTED.

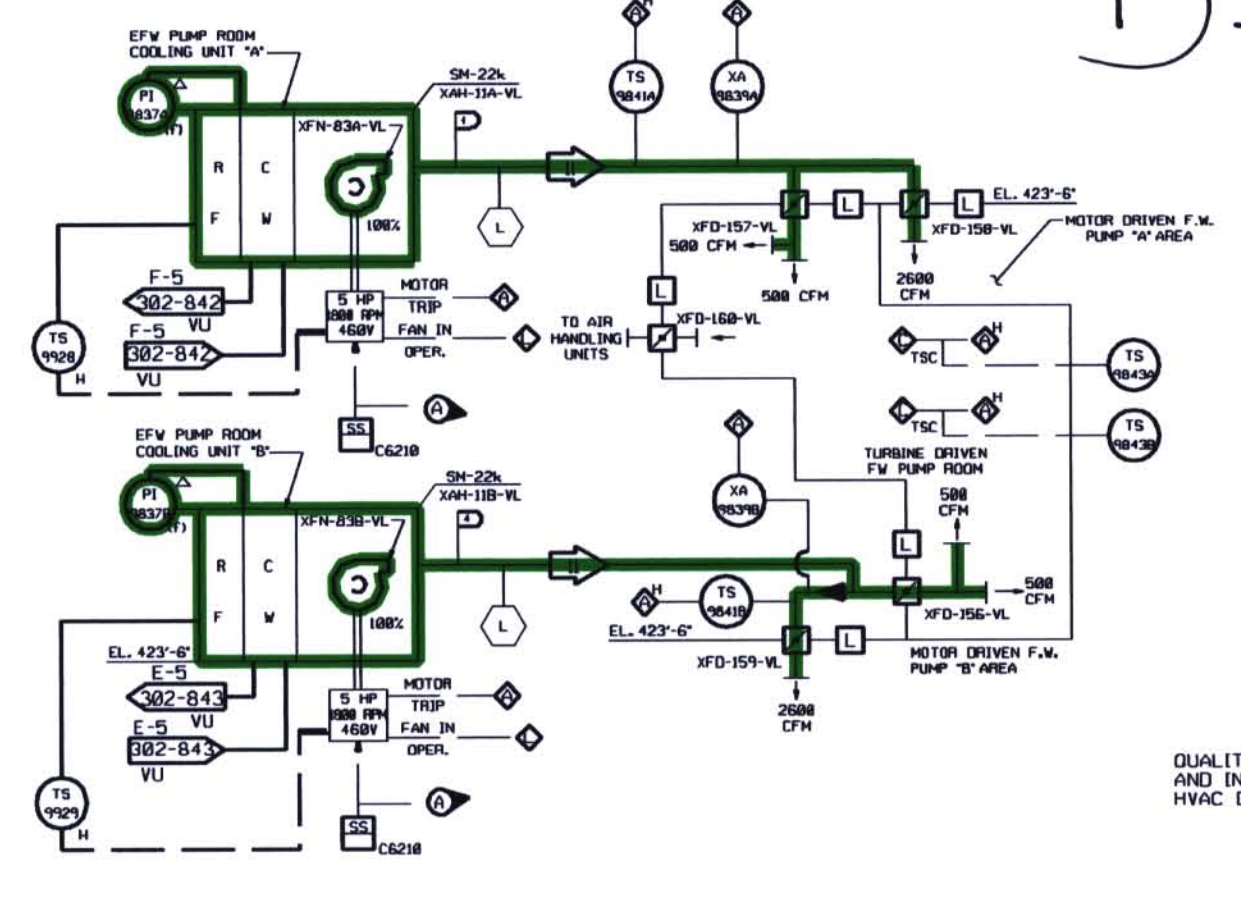
D-127

PLEX Drawing TR00160-007

- NOTES:
- EXCEPT WHERE OTHERWISE NOTED, ALL ALARMS & INDICATING LIGHTS ARE LOCATED AT THE HVAC CONTROL BOARD (XCP-6210-AH) IN THE MAIN CONTROL ROOM.
  - (F) INDICATES INSTRUMENT IS FURNISHED WITH EQUIPMENT.
  - HEATING COIL INCLUDES OVER-TEMP. & LOW FLOW PROTECTIVE DEVICES.
  - FOR SAFETY CLASSIFICATION OF INSTRUMENTATION, SEE THE INSTRUMENT LIST.
  - SPECIAL HIGH PRESSURE DUCT CONSTRUCTION SPEED SWITCH ROOM AREA EL. 436'-0" XFD-187-AH, XFD-188-AH & XFD-189-AH ARE NON-NUCLEAR SAFETY ONLY. DUCT IS SAFETY CLASS 2b.
  - ALL DUCTWORK IDENTIFIED AS OR TO BE PER TRP-31.
  - ALL EQUIPMENT IDENTIFIED AS OR TO BE PER TRP-31.



SERVICE WATER BOOSTER PUMP COOLING UNITS  
SAFETY CLASS 2b



EMERGENCY FEEDWATER PUMP AREA COOLING UNITS  
SAFETY CLASS 2b

SYS. DESIGN DATA		
#	AIR FLOW ACFM	AIR TEMP °F
4	3600	56
3	2600	56
2	20,000	65/104
1	20,000	65/95

QUALITY RELATED-FABRICATION, ERECTION AND INSPECTION PER SCE&G DRP FOR HVAC DUCTS AND SUPPORTS

DESIGN CLASS  
LEVEL 1

SOUTH CAROLINA ELECTRIC & GAS COMPANY	
VIRGIL C. SUMNER NUCLEAR STATION	
INTERMEDIATE BUILDING GENERAL VENTILATION AND PUMP AREA	
COOLING SYSTEMS	
DESIGN ENGINEERING	
DATE	BY
15 11/20/00	JMI
14 08/29/00	CRJ
13 07/28/00	SRM
12 07/28/00	SRM
11 07/28/00	SRM
10 07/28/00	SRM
09 07/28/00	SRM
08 07/28/00	SRM
07 07/28/00	SRM
06 07/28/00	SRM
05 07/28/00	SRM
04 07/28/00	SRM
03 07/28/00	SRM
02 07/28/00	SRM
01 07/28/00	SRM

15	11/20/00	JMI	REVISED PER GISS-930328	DIV	CAA	SRM	CRR	R.S.
14	08/29/00	CRJ	REVISED PER MRF-21377	SRM	D.A.	SRM	CRR	R.S.
13	07/28/00	SRM	REVISED PER MRF-22010	CRP	R.S.	SRM	CRR	R.S.
12	07/28/00	SRM	REVISED PER MRF-22010	CRP	R.S.	SRM	CRR	R.S.
11	07/28/00	SRM	REVISED PER MRF-22010	CRP	R.S.	SRM	CRR	R.S.
10	07/28/00	SRM	REVISED PER MRF-22010	CRP	R.S.	SRM	CRR	R.S.
09	07/28/00	SRM	REVISED PER MRF-22010	CRP	R.S.	SRM	CRR	R.S.
08	07/28/00	SRM	REVISED PER MRF-22010	CRP	R.S.	SRM	CRR	R.S.
07	07/28/00	SRM	REVISED PER MRF-22010	CRP	R.S.	SRM	CRR	R.S.
06	07/28/00	SRM	REVISED PER MRF-22010	CRP	R.S.	SRM	CRR	R.S.
05	07/28/00	SRM	REVISED PER MRF-22010	CRP	R.S.	SRM	CRR	R.S.
04	07/28/00	SRM	REVISED PER MRF-22010	CRP	R.S.	SRM	CRR	R.S.
03	07/28/00	SRM	REVISED PER MRF-22010	CRP	R.S.	SRM	CRR	R.S.
02	07/28/00	SRM	REVISED PER MRF-22010	CRP	R.S.	SRM	CRR	R.S.
01	07/28/00	SRM	REVISED PER MRF-22010	CRP	R.S.	SRM	CRR	R.S.