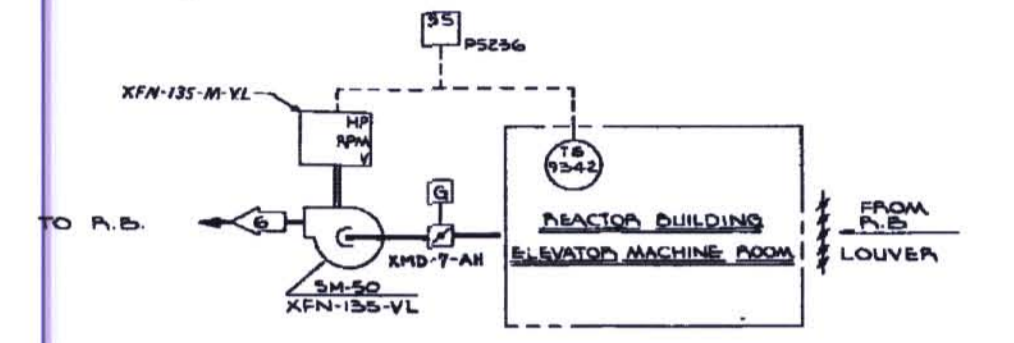
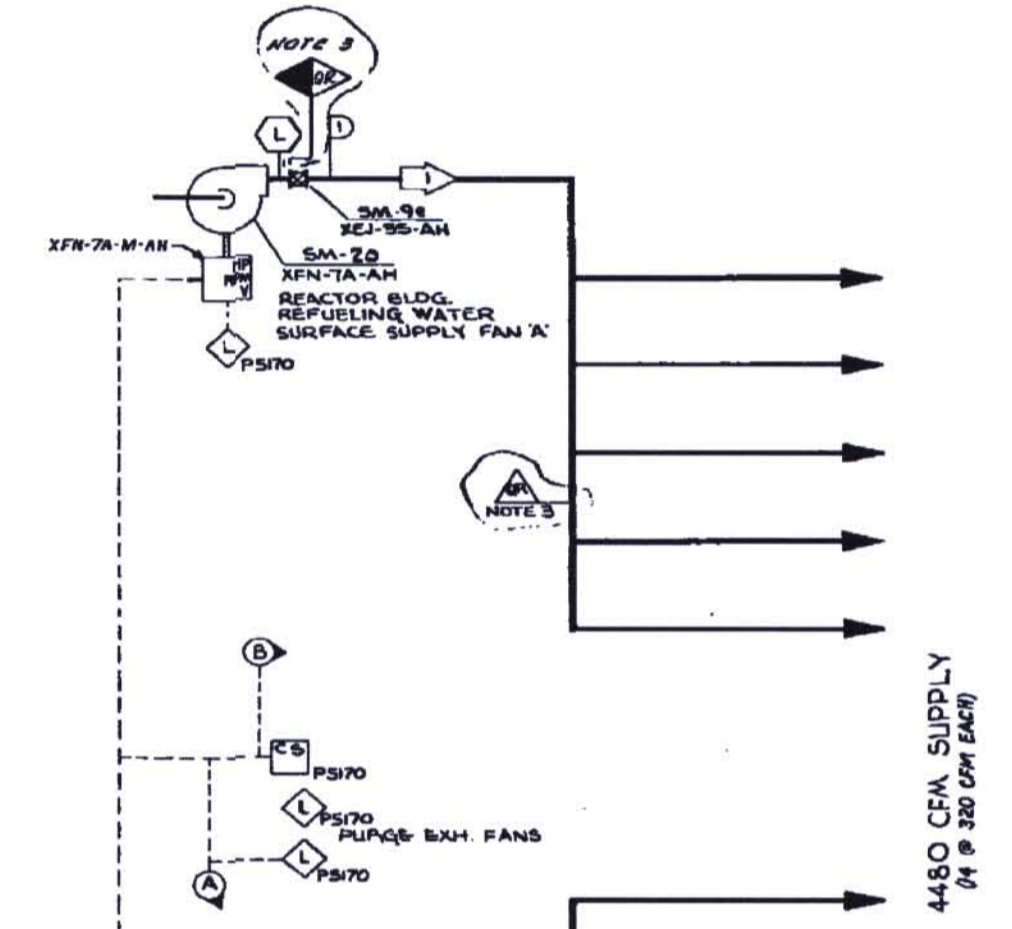


SYSTEM OPERATING DATA	
AIR FLOW ACFM	AIR TEMP °F
1	1600 60-120
2	2800 60-120
3	13,500 60-120
4	7,000 90
5	7,000 95
6	2870 60-120
7	7,500 89-95



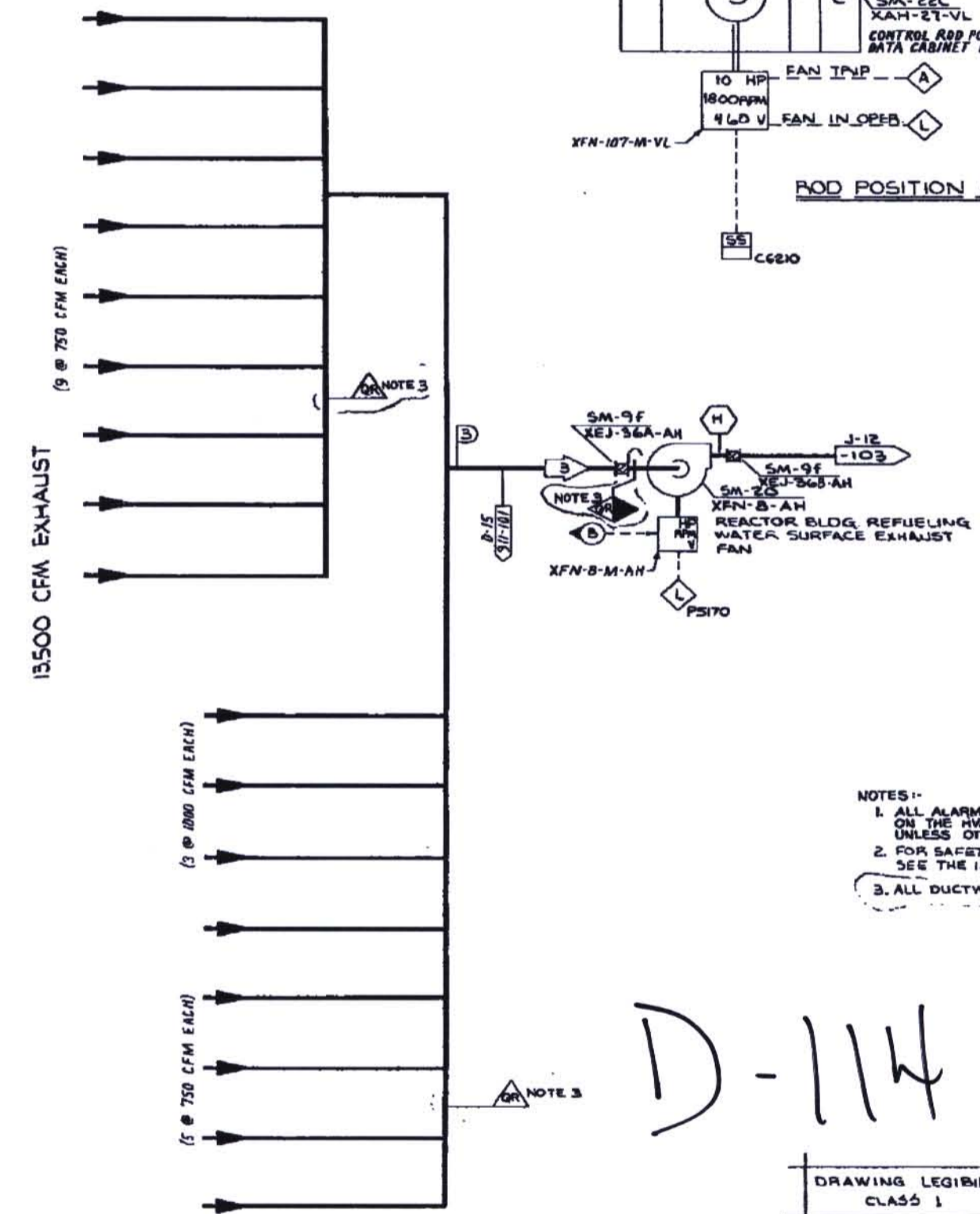
REACTOR BUILDING ELEVATOR MACHINE ROOM EXHAUST FAN  
N.N.S.



4480 CFM SUPPLY  
(4 @ 320 CFM EACH)

REACTOR BUILDING REFUELING WATER SURFACE SYSTEM

NOTE 3  
REACTOR BLDG. PURGE EXHAUST FAN  
XFN-13A-AH OR XFN-13B-AH MUST BE RUNNING  
TO ALLOW THE REFUELING WATER SURFACE  
FANS TO OPERATE



13500 CFM EXHAUST  
(9 @ 750 CFM EACH)

THE ENTIRE SYSTEM IS NON NUCLEAR SAFETY.

- NOTES:
1. ALL ALARMS AND INDICATING LIGHTS ARE LOCATED ON THE HVAC CONTROL BOARD (XCP-484), UNLESS OTHERWISE NOTED.
  2. FOR SAFETY CLASSIFICATION OF INSTRUMENTATION, SEE THE INSTRUMENT LIST.
  3. ALL DUCTWORK IDENTIFIED AS OR TO BE PER GRP. 4.

PLEX Drawing TR00160-007

D-114

DRAWING LEGIBILITY  
CLASS 1

SYSTEM DESIGN DATA	
AIR FLOW ACFM	AIR TEMP °F
3	13,500 60-120
4	7,000 90
1	1600 60-120

NO.	DATE	BY	CHKD.	APP'D.	REVISION
1					
2					
3					
4					
5					
6					
7					
8					
9					
10					
11					
12					
13					
14					
15					
16					
17					
18					
19					
20					
21					
22					
23					
24					
25					
26					
27					
28					
29					
30					

CONSTRUCTION		DATE
LIMITED CONSTRUCTION AS NOTED		07/2
PRELIMINARY NOT FOR CONSTRUCTION		7/2
BIDDING PURPOSES		
FOR CLIENT APPROVAL		7/27
RELEASED FOR		ENGR.

SOUTH CAROLINA ELECTRIC & GAS COMPANY  
YUSEL C. SUMNER NUCLEAR STATION UNIT #1  
BUILDING SERVICE SYSTEM FLOW DIAGRAM  
R. S. REFUELING WATER SURFACE SYSTEM

GILBERT ASSOCIATES, INC.  
BUSINESS AND CONSULTANTS

DATE: 04 4461 D-912-105 9  
DRAWING NUMBER: REV